

Manuals.plus /

› Cornat /

› Cornat Recycled Basket Valve T352020R for Sinks - Instruction Manual

## Cornat T352020R

# Cornat Recycled Basket Valve T352020R for Sinks - Instruction Manual

## 1. INTRODUCTION

---

This manual provides instructions for the Cornat Recycled Basket Valve, Model T352020R. This product is designed for use in standard sinks, offering a regulated water flow and preventing blockages.

Manufactured in Germany, it features a durable stainless steel valve top and a body made from recycled plastics, emphasizing environmental sustainability.

Please read these instructions carefully before installation and use to ensure proper function and longevity of your product.

## 2. PRODUCT COMPONENTS

---

The Cornat Recycled Basket Valve T352020R includes the following components:

- 1 x Valve Base (recycled plastic)
- 1 x Valve Top (stainless steel)
- 1 x Strainer Basket (stainless steel)
- 1 x Gasket
- 1 x Mounting Screw



# Wer verwertet, der gewinnt

Innovative Produkte für eine saubere Umwelt!



Figure 2.1: Exploded view showing the valve base, valve top, strainer basket, gasket, and mounting screw.

### 3. SETUP AND INSTALLATION

This basket valve is designed for standard sinks. Before installation, verify your sink's specifications:

- **Sink Hole Diameter:** 85 mm
- **Sink Wall Thickness:** Up to 14 mm
- **Connection Type:** 1 1/2 inch male thread



# Produkt-Abmessungen

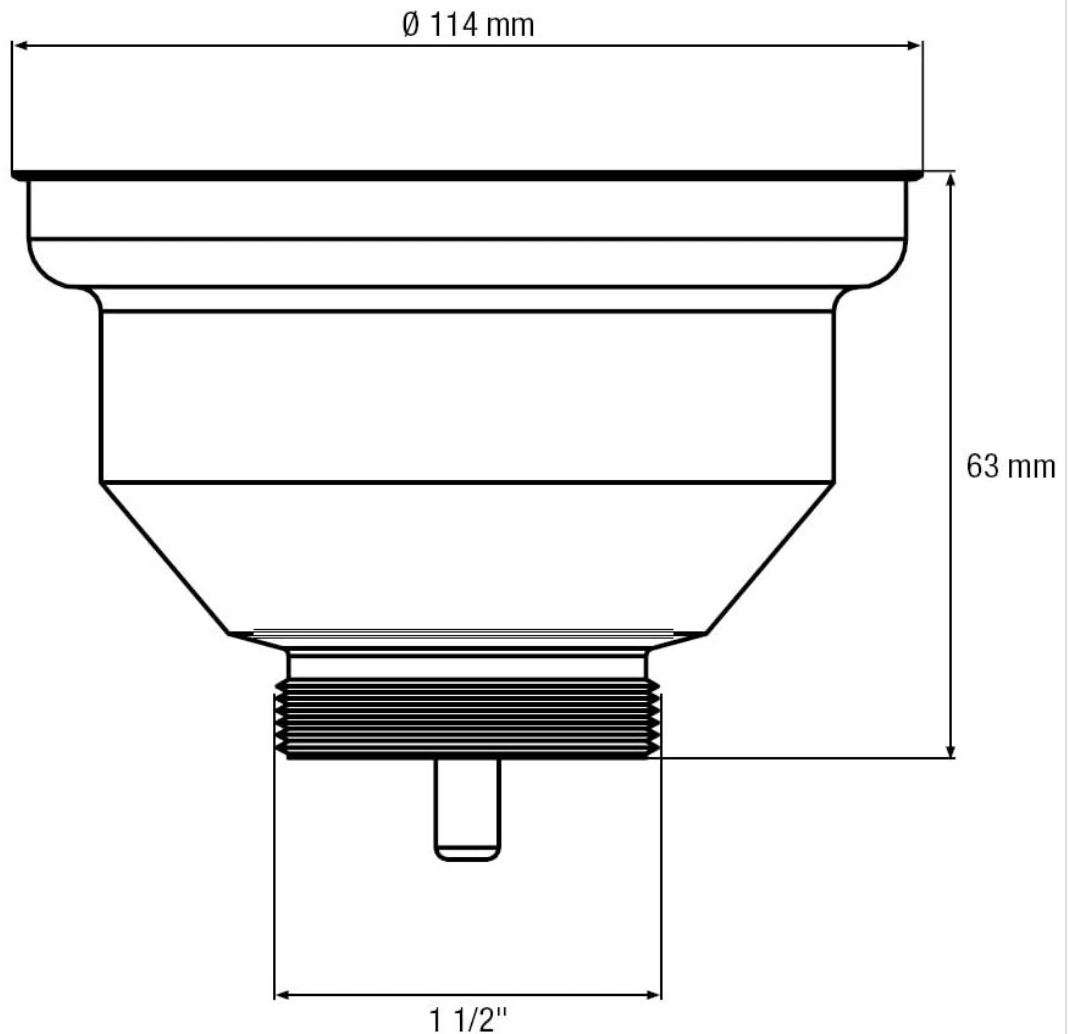


Figure 3.1: Product dimensions, indicating a 114 mm diameter and 1 1/2 inch male thread connection.

## Installation Steps:

1. Ensure all components listed in Section 2 are present and undamaged.
2. Place the gasket securely between the sink's drain opening and the top flange of the valve base. This creates a watertight seal.
3. Insert the valve base into the sink opening from above.
4. From underneath the sink, attach and tighten the mounting screw to secure the valve base. Ensure it is snug but do not overtighten, as this can damage the components or sink.
5. Insert the stainless steel strainer basket into the valve top.

After installation, run water into the sink and check for any leaks around the valve connection.

## 4. OPERATING INSTRUCTIONS

The Cornat Recycled Basket Valve provides a simple mechanism for controlling water drainage and preventing debris from entering your plumbing system.

### Controlling Water Flow:

- **To Close the Drain (retain water):** Press the stainless steel strainer basket down firmly into the

valve opening. This will seal the drain, allowing water to accumulate in the sink.

- **To Open the Drain (allow water to flow):** Pull the strainer basket upwards. This will unseal the drain, allowing water to pass through.



Figure 4.1: Strainer basket in the open position, allowing water to drain.



Figure 4.2: Strainer basket in the closed position, retaining water in the sink.

The strainer basket effectively catches food particles and other debris, preventing them from entering and potentially clogging your drain pipes.

## 5. MAINTENANCE

Regular maintenance ensures the efficient operation and extends the lifespan of your Cornat Recycled Basket Valve.

### Cleaning the Strainer Basket:

1. Periodically remove the strainer basket from the valve by pulling it upwards.
2. Discard any accumulated food particles or debris.
3. Rinse the strainer basket thoroughly under running water. A small brush can be used to remove stubborn residue.
4. Reinsert the clean strainer basket into the valve top.

### General Care:

- Wipe the visible stainless steel and recycled plastic components with a soft cloth and mild, non-abrasive cleaning solution as needed.
- Avoid using harsh chemicals, abrasive cleaners, or scouring pads, as these can damage the finish and material.

## 6. TROUBLESHOOTING

If you encounter issues with your Cornat Recycled Basket Valve, refer to the following common problems and solutions:

Problem	Possible Cause	Solution
Slow drainage	Strainer basket clogged with debris; partial blockage in drain pipe.	Remove and clean the strainer basket. If the problem persists, check the drain pipe for blockages.
Leakage around the valve	Gasket improperly seated or damaged; mounting screw loose.	Ensure the gasket is correctly positioned and undamaged. Gently tighten the mounting screw. Do not overtighten.
Strainer basket does not seal properly	Debris preventing full closure; basket mechanism worn.	Clean the strainer basket and valve opening thoroughly. If worn, consider replacement.

## 7. SPECIFICATIONS

Technical details for the Cornat Recycled Basket Valve T352020R:

- **Model Number:** T352020R
- **Material:** Recycled Plastic (base), Stainless Steel (valve top, strainer basket)
- **Color:** Gray
- **Connection Type:** 1 1/2 inch Male Thread
- **Valve Top Diameter:** 114 mm
- **Suitable Sink Hole Diameter:** 85 mm
- **Suitable Sink Wall Thickness:** Up to 14 mm
- **Product Dimensions (L x W x H):** 9.25 x 7.09 x 3.15 inches (approximate)
- **Item Weight:** 6.7 ounces (approximate)
- **Manufacturer:** CORNAT
- **Origin:** Made in Germany

## 8. WARRANTY AND SUPPORT

**Warranty:** This Cornat product is covered by a 2-year manufacturer guarantee from the date of purchase. Please retain your proof of purchase for warranty claims.

**Support:** For technical assistance, warranty claims, or further inquiries regarding your Cornat Recycled Basket Valve, please contact your retailer or the Cornat customer support channels provided on the product packaging or official website.