

FORTSTRONG FS6300

FORTSTRONG FS-6300 Commercial Door Closer

Instruction Manual

Model: FS6300 | Brand: FORTSTRONG

1. INTRODUCTION

This manual provides comprehensive instructions for the installation, operation, maintenance, and troubleshooting of your FORTSTRONG FS-6300 Commercial Door Closer. Designed for durability and consistent performance, this hydraulic spring hinge ensures controlled closing for doors up to 147-187 lbs. Please read these instructions carefully before installation and use to ensure proper function and safety.

2. PRODUCT OVERVIEW

The FORTSTRONG FS-6300 is a heavy-duty commercial door closer built for endurance and customizable performance. It is suitable for light commercial and heavy-duty residential use, including offices and meeting rooms. The closer is designed for wood, metal, glass, and composite doors, and supports both left and right-handed installations.

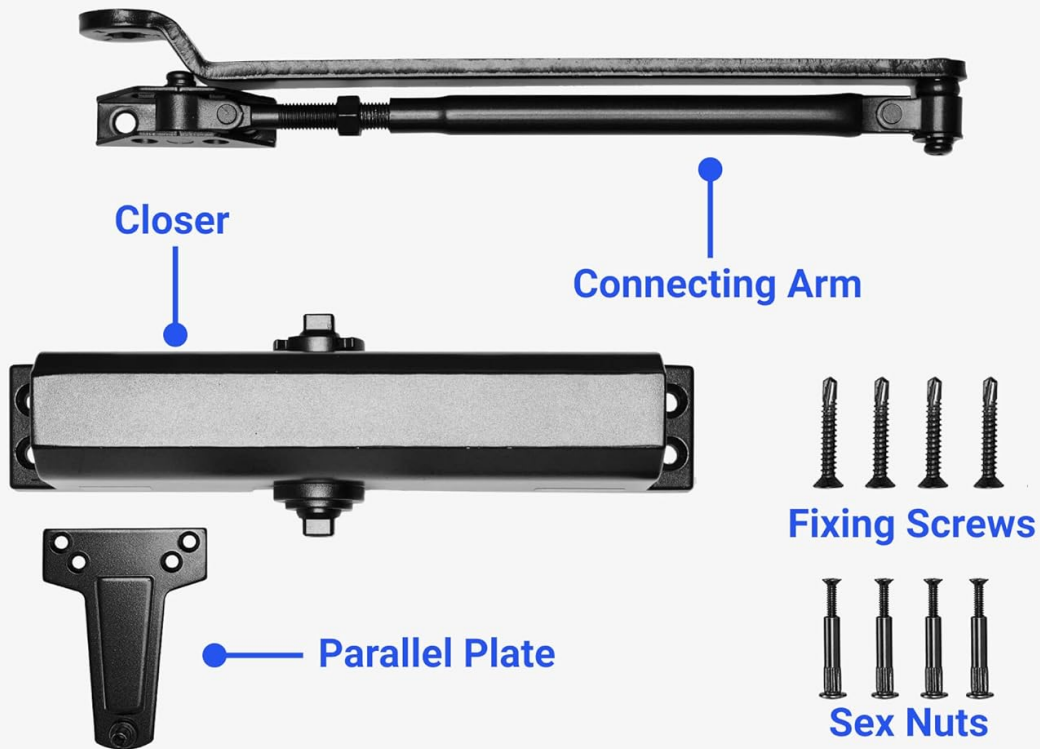
Key Features:

- **Rotating Control Shaft:** Ensures smooth opening and closing.
- **Multi-purpose Design:** Works for both left and right opening doors.
- **Dust Cover:** Protects the internal mechanism.
- **Adjustable Performance:** Features valves to control sweep, latch speed, and backcheck.
- **Durable Construction:** Made with sturdy ADC12 aluminum.
- **Certifications:** UL & ADA ANSI A156.4 Grade 1 listed.
- **Tested:** Proven to last over 500,000 test cycles.

Components:

The package includes all necessary hardware for a complete setup.

What's In the Box



Easy to install – All you need is:

- Tape Measure
- Pencil
- Protective Eyewear
- Phillips screwdriver
- Drill
- 1/8" drillbit

Figure 2.1: What's in the Box - Closer unit, connecting arm, fixing screws, sex nuts, and parallel plate.

Rotating Control Shaft

Smooth open & close.



Multi-purpose Design

Works for left or right opening doors.

Dust Cover to protect mechanism



*Installation Template Included

For hassle free installation.



FORTSTRONG
HARDWARE COMPANY

Figure 2.2: Key components of the FS-6300 Door Closer.

3. SETUP AND INSTALLATION

The FORTSTRONG FS-6300 door closer offers versatile installation methods to suit various door types and preferences. A step-by-step guide and a life-size fitting template are included to facilitate quick and correct installation.

Required Tools (Not Included):

- Tape Measure
- Pencil
- Protective Eyewear
- Phillips Screwdriver
- Drill
- 1/8" Drill Bit

Installation Types:

The closer can be installed in three primary configurations:

1. **Regular Arm Installation:** The closer body is mounted on the pull side of the door, and the arm extends away from the door.
2. **Parallel Arm Installation:** The closer body is mounted on the push side of the door, and the arm is parallel to the door frame.
3. **Top Jamb Installation:** The closer body is mounted on the door frame (jamb), and the arm extends to the door.



VERSATILE INSTALLATION METHODS



Regular



Parallel



Top Jamb

Figure 3.1: Versatile Installation Methods for the FS-6300.

VERSATILE INSTALLATION METHODS



Regular



Parallel



Top Jamb

Figure 3.2: Detailed view of Regular, Parallel Arm, and Top Jamb installations.

Refer to the included installation template and detailed instructions for specific measurements and drilling points for your chosen installation type. Ensure all screws are securely fastened for optimal performance

and safety.

Installation Video:

Video 3.1: Official product video demonstrating the features and installation types of the FORTSTRONG FS-6300 / FS-6300B Lightweight Commercial Door Closer.

4. OPERATING INSTRUCTIONS

The FORTSTRONG FS-6300 door closer allows for precise control over door movement. Adjustments are made via valves located on the closer body.



Figure 4.1: Adjustment points on the FS-6300 Door Closer.

Adjusting Door Speed:

- **Speed Regulation Valve:** This valve controls the overall speed of the door's swing from its fully open position until it reaches approximately 15 degrees from the closed position. Turn clockwise to decrease speed (slower closing) and counter-clockwise to increase speed (faster closing).
- **Latch Regulation Valve:** This valve controls the final closing speed, from approximately 15 degrees to the fully closed position. This is crucial for ensuring the door latches properly without slamming. Turn clockwise to decrease latch speed and counter-clockwise to increase latch speed.

Backcheck Control:

- **Backcheck Control Valve:** This valve provides cushioning when the door is opened forcefully, preventing it from slamming against the wall or frame. Adjust this valve to control the resistance felt when the door is opened past a certain point.

Make small adjustments and test the door's movement after each adjustment until the desired closing and opening performance is achieved. Avoid over-tightening adjustment valves.

5. MAINTENANCE

Regular maintenance ensures the longevity and optimal performance of your FORTSTRONG FS-6300 door closer.

- **Regular Cleaning:** Keep the closer body and arm free from dust and debris. Use a soft, damp cloth for cleaning.
- **Check Fasteners:** Periodically inspect all mounting screws and bolts to ensure they are tight. Loose fasteners can affect performance and potentially damage the door or frame.
- **Inspect for Leaks:** Check for any signs of oil leakage around the closer body or adjustment valves. If a leak is detected, contact customer support.
- **Functionality Check:** Regularly observe the door's closing and opening cycle. If the door is slamming, closing too slowly, or not latching, refer to the Operating Instructions section for adjustments.

The FS-6300 is designed for durability, tested to over 500,000 open/close cycles, ensuring reliable operation with proper care.

6. TROUBLESHOOTING

If you encounter issues with your FORTSTRONG FS-6300 door closer, refer to the following common problems and solutions:

Problem	Possible Cause	Solution
Door slams shut	Latch speed is too fast.	Turn the Latch Regulation Valve clockwise in small increments to decrease the latching speed.
Door closes too slowly or doesn't close completely	Speed regulation is too slow or insufficient closing force.	Turn the Speed Regulation Valve counter-clockwise in small increments to increase the closing speed. Ensure the closer is correctly sized for the door weight.
Door is difficult to open	Closing force is too high or backcheck is too strong.	Adjust the backcheck control valve if present. Ensure the closer is installed correctly and the arm is positioned as per instructions. Re-check installation measurements, as incorrect placement can increase opening resistance.
Oil leakage	Damaged seal or valve.	Discontinue use and contact FORTSTRONG customer support for assistance.

Problem	Possible Cause	Solution
Door does not open fully	Backcheck engaged too early or door stop interference.	Adjust the backcheck control valve. Check for any physical obstructions preventing full door opening.

If these solutions do not resolve the issue, please contact FORTSTRONG customer support.

7. SPECIFICATIONS

Below are the technical specifications for the FORTSTRONG FS-6300 Commercial Door Closer:



Figure 7.1: Dimensions of the FS-6300 Door Closer.

Feature	Detail
Model Number	FS6300

Feature	Detail
Installation Type	Screw-In (Regular, Parallel Arm, Top Jamb)
Recommended Uses	Commercial and Heavy-Duty Residential Door Closer
Specification Met	ANSI A156.4 Grade 1, UL Listed
Size	Medium - Size 4
Item Weight	5.96 pounds (2.71 Kilograms)
Product Dimensions	12.55 x 4.13 x 3.46 inches
Material	ADC12 Aluminum
Color	Black (also available in Silver)
Door Weight Capacity	Up to 147-187 lbs
Test Cycles	500,000+ open/close cycles
Fire Rating	3 Hour Fire Rating

8. WARRANTY AND SUPPORT

Warranty Information:

The FORTSTRONG FS-6300 Commercial Door Closer includes a **5-year product warranty**. This warranty covers defects in materials and workmanship under normal use and service. Please retain your proof of purchase for warranty claims.

Customer Support:

For technical assistance, troubleshooting beyond this manual, or warranty inquiries, please contact FORTSTRONG customer support. You can typically find contact information on the product packaging or the official FORTSTRONG website.

FORTSTRONG is committed to providing quality solutions and support for its products.