

TROTEC TDP 7500 E

TROTEC Deep Well Pump TDP 7500 E Instruction Manual

Model: TDP 7500 E (4610000215)

[Instructions](#) [Components](#) [Setup](#) [Introduction](#) [Safety](#) [Operation](#) [Maintenance](#) [Troubleshooting](#) [Specifications](#) [Warranty](#)
& [Support](#)

1. INTRODUCTION

This instruction manual provides essential information for the safe and effective use of your TROTEC Deep Well Pump TDP 7500 E. Please read this manual thoroughly before installation and operation to ensure proper function and to prevent damage or injury. Keep this manual in a safe place for future reference.

The TROTEC TDP 7500 E is a robust deep well pump designed for extracting clear water from wells, boreholes, and cisterns. Its slim design allows for installation in narrow boreholes, making it ideal for garden irrigation, domestic water supply, and other water transfer applications.



Figure 1: TROTEC Deep Well Pump TDP 7500 E with its external control box and power cable.

2. SAFETY INSTRUCTIONS

WARNING! Read all safety warnings and all instructions. Failure to follow the warnings and instructions may result in electric shock, fire, and/or serious injury.

- **Electrical Safety:** Ensure the power supply matches the pump's specifications (230 V). Always disconnect the power supply before performing any work on the pump. The external control box is splash-proof (IP44) but should be protected from direct water exposure.
- **Installation:** The pump must be fully submerged during operation. Do not operate the pump dry. Ensure the

borehole diameter is at least 11 cm for proper installation.

- **Water Quality:** This pump is designed for clear water. Do not pump flammable, corrosive, explosive, or abrasive liquids. The water temperature should not exceed 35°C.
- **Children and Bystanders:** Keep children and unauthorized persons away from the operating area.
- **Maintenance:** Only qualified personnel should perform repairs. Use only original spare parts.
- **Overload Protection:** The integrated thermal protection circuit and overload switch protect the pump from damage due to overheating or overcurrent.

3. COMPONENTS INCLUDED

The TROTEC Deep Well Pump TDP 7500 E package typically includes the following items:

- TROTEC Deep Well Pump TDP 7500 E (Stainless Steel)
- External Control Box with integrated overload switch
- Power Cable (approx. 20 meters)
- Non-return valve (integrated)
- Dirt screen (integrated, stainless steel)
- Instruction Manual

4. SETUP AND INSTALLATION

Follow these steps for proper installation of your deep well pump:

1. **Prepare the Borehole:** Ensure the borehole has a minimum diameter of 11 cm to accommodate the pump (10 cm diameter). The maximum immersion depth is 20 meters.

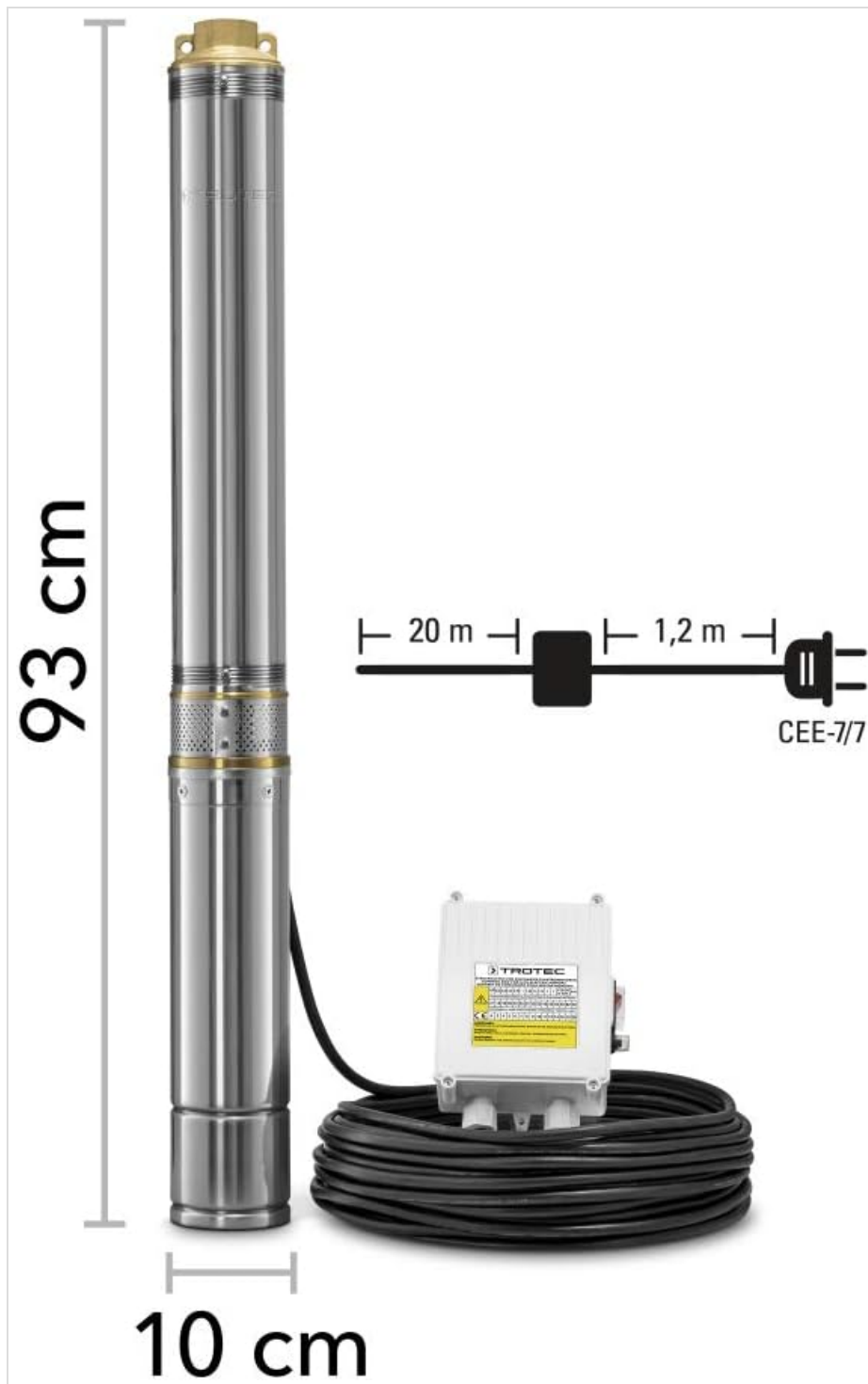


Figure 2: Dimensions of the pump, showing a length of 93 cm and a diameter of 10 cm.

2. **Connect the Discharge Pipe:** Attach a 1 ¼" pipe to the high-quality brass thread outlet of the pump. Ensure a secure and watertight connection.



Figure 3: Detail of the pump's brass connection for the discharge pipe.

- 3. Lower the Pump:** Carefully lower the pump into the well or borehole. Use a strong rope or cable attached to the designated eyelets on the pump head for support. Ensure the pump is suspended at least 0.5 meters from the bottom of the well to avoid drawing in sediment. The maximum immersion depth is 20 meters.

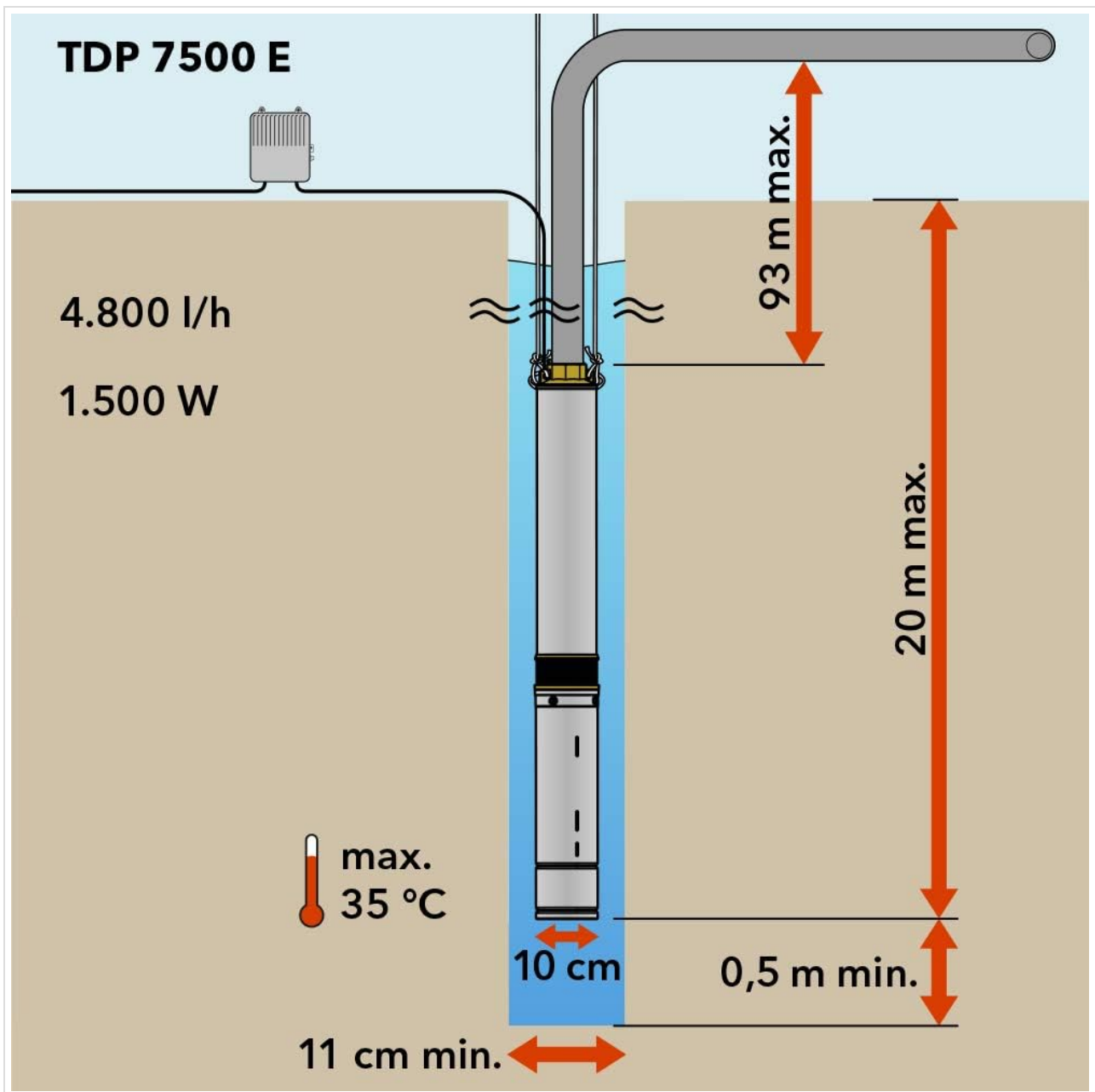


Figure 4: Installation diagram showing minimum borehole diameter (11 cm), minimum distance from bottom (0.5 m), and maximum immersion depth (20 m).

4. **Position the Control Box:** Place the external control box in a dry, protected location, easily accessible for operation. The control box is splash-proof (IP44) but should not be exposed to heavy rain or direct water spray.



Figure 5: The external control box, featuring power connections and safety warnings.

5. **Connect to Power:** Plug the pump's power cable into the external control box, and then plug the control box into a suitable 230 V power outlet.

5. OPERATION

Operating the TROTEC Deep Well Pump TDP 7500 E is straightforward:

1. **Initial Start-up:** After installation, ensure all connections are secure and the pump is fully submerged.
2. **Power On:** Switch on the power using the switch on the external control box. The pump will begin to draw water.

3. **Monitoring:** Observe the water flow. The pump has a maximum flow rate of 4800 liters per hour and can achieve a maximum pressure of 9.3 bar.
4. **Thermal Protection:** The integrated thermal protection circuit and overload switch will automatically shut off the pump if it overheats or experiences an electrical overload, preventing damage.
5. **Power Off:** To stop the pump, switch off the power at the control box.

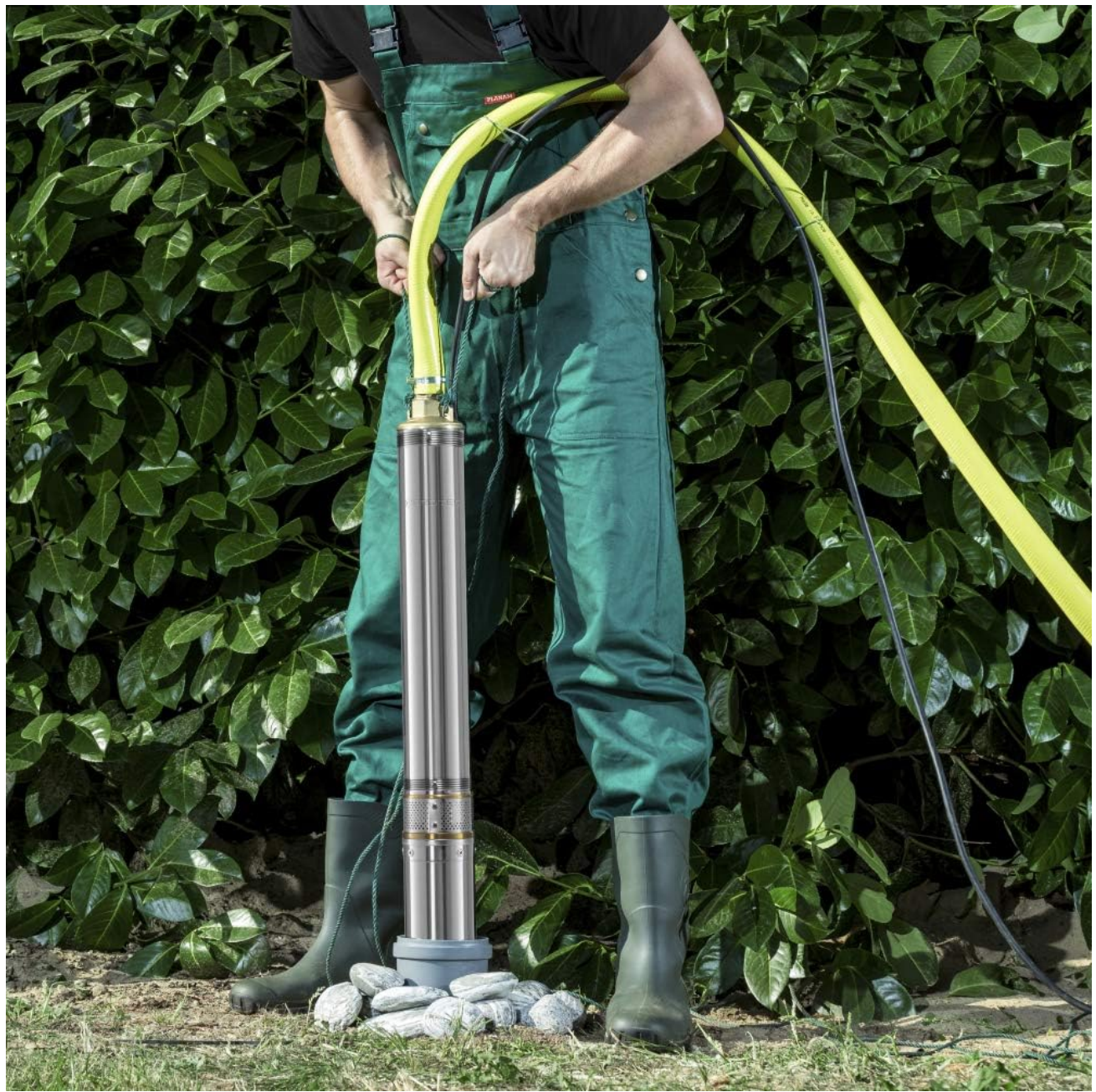


Figure 6: The deep well pump in operation, providing water for garden irrigation.

6. MAINTENANCE

Regular maintenance ensures the longevity and optimal performance of your pump:

- **Cleaning the Dirt Screen:** The pump features a stainless steel dirt screen that prevents particles larger than 2.3 mm from entering. Periodically inspect and clean the screen to ensure unrestricted water flow.
- **Winter Storage:** If the pump will not be used during freezing temperatures, remove it from the well, drain all water, and store it in a frost-free environment.
- **General Cleaning:** Clean the exterior of the pump and control box with a damp cloth. Do not use harsh detergents or solvents.

- **Inspection:** Regularly check the power cable and connections for any signs of damage.

7. TROUBLESHOOTING

Here are some common issues and their potential solutions:

Problem	Possible Cause	Solution
Pump does not start	No power supply Overload protection activated Motor fault	Check power connection and circuit breaker Allow pump to cool down, then reset overload switch on control box Contact qualified service personnel
Pump runs but no water is delivered	Pump not fully submerged Suction line blocked Non-return valve stuck Water level too low	Ensure pump is fully immersed Check and clear any blockages in the pipe Inspect or replace non-return valve Wait for water level to rise or lower pump if possible
Low water pressure/flow	Dirt screen clogged Discharge pipe leakage Pump wear	Clean the stainless steel dirt screen Check all pipe connections for leaks Contact qualified service personnel for inspection
Pump stops unexpectedly	Overload protection activated Power interruption	Allow pump to cool down, then reset overload switch Check power supply

8. TECHNICAL SPECIFICATIONS

Feature	Specification
Model Number	4610000215
Brand	TROTEC
Power Source	Corded Electric
Voltage	230 Volts
Max Flow Rate	4800 Liters per hour
Max Head (Lift Height)	93 Meters (Max. delivery height) / 20 Meters (Max. immersion depth)
Max Pressure	9.3 bar
Power (Wattage)	1500 W
Material	Stainless Steel
Item Weight	15.5 Kilograms
Product Dimensions (L x W x H)	93 x 9.2 x 10 cm
Protection Class	IP68 (for pump)

Feature	Specification
Max. Particle Size	2.3 mm
Min. Borehole Diameter	11 cm
Max. Water Temperature	35°C

9. WARRANTY AND SUPPORT

For warranty information, technical support, or service inquiries regarding your TROTEC Deep Well Pump TDP 7500 E, please refer to the official TROTEC website or contact their customer service directly. Details can typically be found on the product packaging or the manufacturer's official documentation.

Always ensure you have your product model number (TDP 7500 E or 4610000215) and proof of purchase available when contacting support.