

Manuals.plus /

› Aperion Audio /

› Aperion Audio PST MKII Planar-Ribbon Super Tweeter User Manual

Aperion Audio PST-2PK-GBP

Aperion Audio PST MKII Planar-Ribbon Super Tweeter User Manual

Model: PST MKII (PST-2PK-GBP)

INTRODUCTION

The Aperion Audio PST MKII Planar-Ribbon Super Tweeter is designed to enhance the high-frequency response of your existing home audio system. This manual provides essential information for setting up, operating, and maintaining your super tweeters to achieve optimal sound performance.

WHAT'S IN THE BOX

- Planar Ribbon Super Tweeter Speakers x Two (2) Pcs
- Manual x One (1) Pcs

PRODUCT OVERVIEW

The PST MKII Super Tweeters feature a planar-ribbon design for extended high-frequency reproduction, complementing a wide range of speakers. They are housed in a furniture-grade, high-quality cabinet with a multi-layer coating and a curved design.



Image: A pair of Aperion Audio PST MKII Planar-Ribbon Super Tweeters in Gloss Black, showcasing their sleek design.



Image: Detailed view of the planar ribbon tweeter unit, designed for ultra high-end frequency response.

Key Features:

- High-fidelity planar-ribbon tweeter for extended high-frequency range.
- Customizable sound with adjustable crossover and attenuation settings.
- Designed to seamlessly integrate with various home audio systems.
- Durable and aesthetically pleasing curved cabinet construction.

SETUP

Placement:

The PST MKII Super Tweeters are designed for set-top mounting on your existing speakers. For optimal performance, place them on top of your main speakers, ensuring they are stable and secure. The compact dimensions (5"D x 4"W x 5.27"H) allow for flexible placement.



Image: A diagram illustrating the physical dimensions of the Aperion Audio PST MKII Super Tweeter.

Connection:

Connect the super tweeters to your amplifier or main speakers using speaker wire. The PST MKII features 5-way gold-plated binding posts for secure connections. Ensure correct polarity (positive to positive, negative to negative) for each speaker.

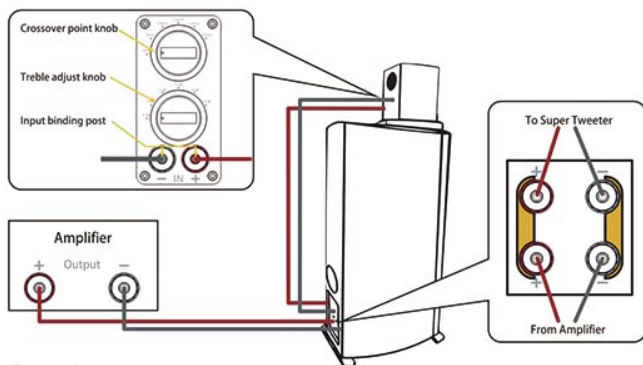


Image: A connection diagram illustrating the wiring of the super tweeters to an amplifier and main speakers.

Video: An official video from Aperion Audio demonstrating the features and setup of the MKII Planar-Magnetic Flat Ribbon Super Tweeter.

OPERATING

The PST MKII Super Tweeters offer adjustable settings to fine-tune their integration with your existing audio system.



Image: The rear panel of the super tweeter, highlighting the crossover and attenuation adjustment knobs.

Crossover Adjustment:

Use the 5-point crossover knob to select the desired crossover frequency (8kHz, 10kHz, 12kHz, 14kHz, 16kHz) or turn the tweeter OFF. This allows you to blend the super tweeter's output with your main speakers' high-frequency rolloff point.



Image: A close-up of the crossover knob, indicating selectable frequencies from 8kHz to 16kHz and an OFF position.

Attenuation (Treble Adjust) Settings:

The 6-position jumper allows for attenuation adjustments from 0dB to -5dB. This controls the output level of the super tweeter, enabling you to match its sensitivity with your main speakers and achieve a balanced sound.



Image: A close-up of the treble adjust knob, showing attenuation options from 0dB to -5dB.

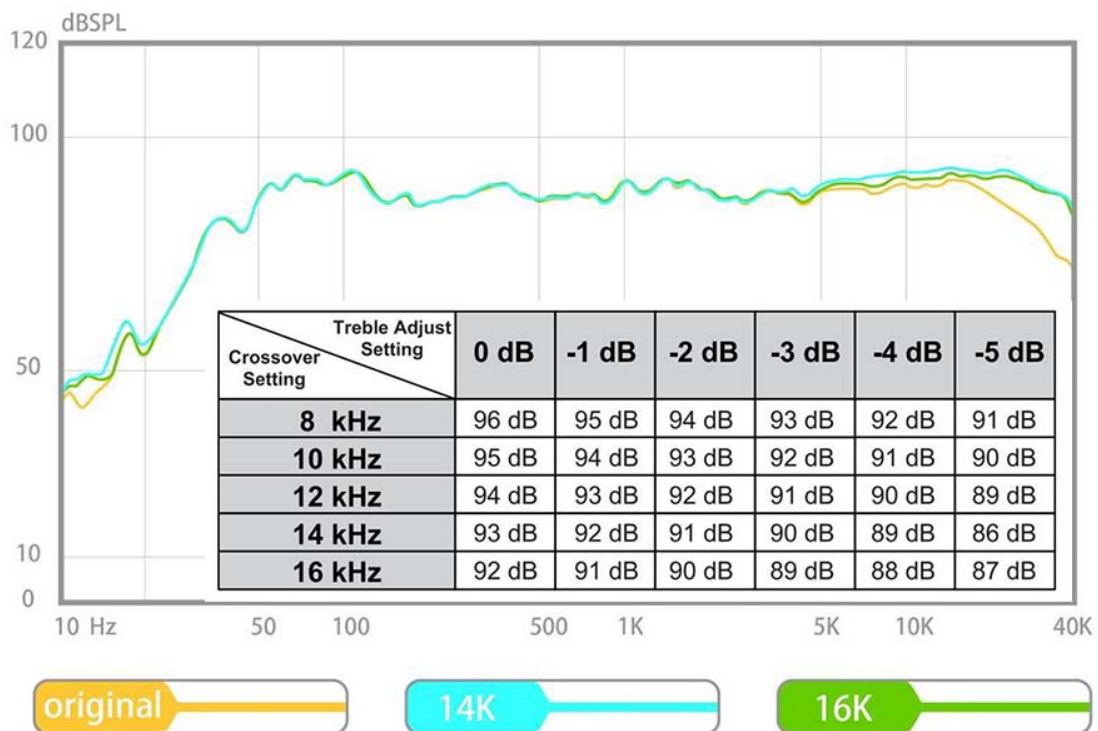


Image: A graph illustrating the frequency response with different crossover and treble attenuation settings, demonstrating the customizable output.

MAINTENANCE

To ensure the longevity and optimal performance of your Aperion Audio PST MKII Super Tweeters, follow these maintenance guidelines:

- **Cleaning:** Use a soft, dry cloth to gently wipe the cabinet. Avoid abrasive cleaners or solvents that could damage the finish.
- **Placement:** Keep the speakers away from direct sunlight, heat sources, and excessive moisture. Ensure adequate ventilation around the units.
- **Connections:** Periodically check all speaker wire connections to ensure they are secure and free from corrosion.
- **Handling:** Handle the speakers with care. Avoid dropping them or subjecting them to strong impacts.

TROUBLESHOOTING

If you encounter issues with your PST MKII Super Tweeters, refer to the following common troubleshooting steps:

Problem	Possible Cause	Solution
No sound from super tweeters	Incorrect wiring; Crossover knob set to OFF; Amplifier issues	Check speaker wire polarity; Ensure crossover knob is set to a frequency (not OFF); Verify amplifier is powered on and functioning correctly.
Sound is too harsh or bright	Attenuation too high; Crossover frequency too low	Adjust attenuation to a lower dB setting (e.g., -1dB to -5dB); Try a higher crossover frequency (e.g., 14kHz or 16kHz).
Sound is too subtle or weak	Attenuation too low; Crossover frequency too high	Adjust attenuation to 0dB or a higher dB setting; Try a lower crossover frequency (e.g., 8kHz or 10kHz).
Distorted sound	Overpowering; Loose connections	Reduce amplifier volume; Check all speaker wire connections for tightness.

SPECIFICATIONS

Feature	Detail
Model Name	PST Super Tweeter
Item Model Number	PST-2PK-GBP
Mounting Type	Set top on the speaker
Material	Wood
Product Dimensions	5"D x 4"W x 5.27"H
Item Weight	1.65 Pounds (per speaker)
Impedance	6 Ohms
Speaker Maximum Output Power	75 Watts
Frequency Response	Up to 40 KHz
Connectivity Technology	RCA (Binding Posts)
Audio Driver Type	Planar Magnetic Driver
Color	Gloss Black
UPC	817968003062

WARRANTY AND SUPPORT

The Aperion Audio PST MKII Super Tweeters come with a Limited Warranty. For specific details regarding warranty coverage, terms, and conditions, please refer to the warranty documentation included with your product or visit the official Aperion Audio website.

For technical support, product inquiries, or assistance with troubleshooting, please contact Aperion Audio customer service through their official channels.