

WilTec 61119

Wiltec Aluminum Motorcycle Rear Wheel Stand

MODEL: 61119

1. Product Overview

The Wiltec Aluminum Motorcycle Rear Wheel Stand, Model 61119, is an essential tool designed to provide stable and secure support for your motorcycle's rear wheel. This stand facilitates various tasks including parking, routine maintenance, and repairs. Its lightweight aluminum construction ensures ease of handling while offering robust support for motorcycles up to 317 kg. The design allows for effortless lifting and movement of the motorcycle, making tasks like chain lubrication, tire inspection, rim cleaning, and tire changes significantly simpler.



Figure 1: Fully assembled Wiltec Aluminum Motorcycle Rear Wheel Stand.

2. Safety Information

Please read and understand all safety instructions before using the Wiltec Motorcycle Rear Wheel Stand. Failure to follow these instructions may result in injury or damage to the product or motorcycle.

- Always ensure the stand is placed on a firm, level, and stable surface.
- Do not exceed the maximum load capacity of 317 kg.
- Verify that the motorcycle's swingarm width is within the compatible range of 255 mm to 360 mm before use.
- Ensure the motorcycle is stable and balanced before attempting to lift it.
- Never leave a motorcycle unattended on the stand, especially in areas where it could be bumped or disturbed.
- Keep hands and feet clear of moving parts during lifting and lowering operations.
- Wear appropriate personal protective equipment, such as gloves, when handling the stand and motorcycle.

3. Package Contents

Carefully unpack all components and check against the list below. If any parts are missing or damaged, contact Wiltec customer support immediately.

- Main aluminum frame
- Two support arms with adjustable hooks/pads
- Two smooth-rolling wheels (pre-installed or requiring attachment)
- Assembly hardware (bolts, nuts, washers, if required)
- Instruction Manual

4. Assembly Instructions

Follow these steps to assemble your Wiltec Motorcycle Rear Wheel Stand. Assembly is generally straightforward, but ensure all fasteners are securely tightened.

1. **Unpack Components:** Lay out all parts on a clean, flat surface.
2. **Attach Support Arms:** If not pre-assembled, attach the two support arms to the main frame. Ensure the square plates that secure the 'horns' (hooks/pads) are correctly aligned and the screws are tightened firmly.
3. **Install Wheels:** If the wheels are not pre-installed, attach them to the designated points on the main frame using the provided hardware. Ensure they spin freely.
4. **Adjust Support Arms:** The support arms are adjustable to accommodate different swingarm widths. Loosen the securing bolts, slide the arms to the desired width (255 mm to 360 mm), and re-tighten the bolts securely.



Figure 2: Detail of the adjustable support arm mechanism.



Figure 3: Side view of the assembled stand, highlighting the frame structure and wheels.

5. Operating Instructions

Follow these steps to safely lift and support your motorcycle using the Wiltec Rear Wheel Stand.

1. **Prepare the Motorcycle:** Ensure the motorcycle is in neutral gear and on its side stand or front stand for initial stability.
2. **Position the Stand:** Place the rear wheel stand behind the motorcycle's rear wheel. Adjust the width of the support arms to match your motorcycle's swingarm width (between 255 mm and 360 mm).
3. **Engage the Swingarm:** Carefully slide the stand forward until the hooks/pads on the support arms securely engage with the motorcycle's swingarm bobbins or designated lifting points. Ensure both sides are properly seated.
4. **Lift the Motorcycle:** While holding the motorcycle stable with one hand (or having assistance), firmly press down on the stand's handle at the rear. The stand's leverage will lift the rear wheel off the ground.
5. **Verify Stability:** Once lifted, gently rock the motorcycle to ensure it is stable and securely supported by the stand.
6. **Lower the Motorcycle:** To lower, firmly hold the motorcycle, lift the stand's handle, and carefully guide the rear wheel back to the ground. Remove the stand once the motorcycle is stable.

The smooth-rolling wheels allow for easy repositioning of the motorcycle once it is lifted, facilitating tasks in your workshop or garage.

6. Maintenance

Regular maintenance ensures the longevity and safe operation of your Wiltec Motorcycle Rear Wheel Stand.

- **Cleaning:** Wipe down the stand with a damp cloth after use to remove dirt, grease, and debris. Avoid harsh chemicals that could damage the aluminum finish.
- **Inspect Fasteners:** Periodically check all bolts, nuts, and screws for tightness. Re-tighten any loose fasteners to prevent instability.

- **Wheel Inspection:** Ensure the wheels roll smoothly and are free from obstructions. Clean any accumulated dirt or hair from the wheel axles.
- **Storage:** Store the stand in a dry, clean place when not in use to prevent corrosion and damage.

7. Troubleshooting

If you encounter issues while using your motorcycle stand, refer to the following common problems and solutions:

- **Difficulty Lifting Motorcycle:**
 - Ensure the stand's support arms are adjusted to the correct width for your motorcycle's swingarm.
 - Verify that the hooks/pads are properly seated on the swingarm bobbins or lifting points.
 - Confirm the stand is on a level surface, allowing for proper leverage.
- **Stand Feels Unstable:**
 - Check that all assembly bolts are securely tightened.
 - Ensure the ground surface is firm and level.
 - Confirm the motorcycle's weight does not exceed the stand's 317 kg capacity.
- **Wheels Not Rolling Smoothly:**
 - Inspect wheels for debris or damage. Clean as necessary.
 - Ensure wheel axles are properly secured.

8. Technical Specifications

Brand	WilTec
Model Number	61119
Material	Aluminum
Overall Dimensions (L x W)	740 x 365 mm
Compatible Swingarm Width	255 - 360 mm
Lifting Height	310 mm
Maximum Load Capacity	317 kg
Item Weight	2.48 kg
Package Dimensions	65.8 x 49.1 x 12 cm

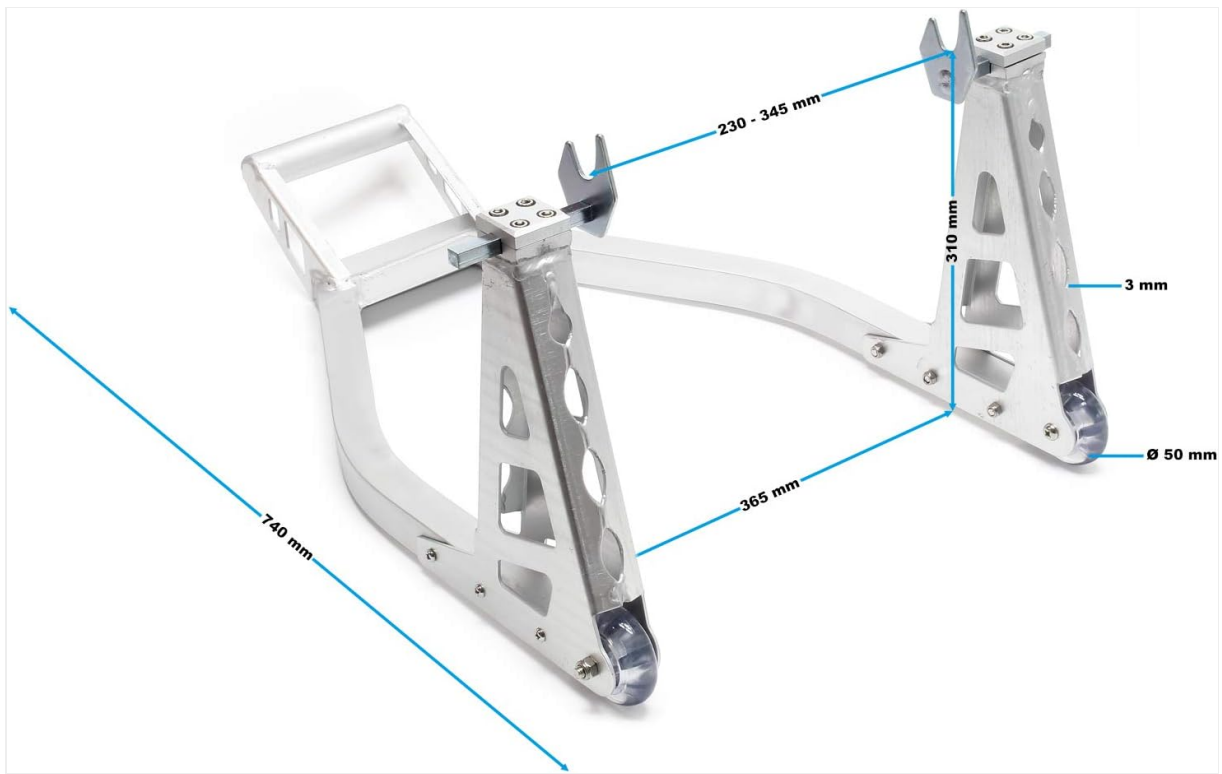


Figure 4: Dimensional diagram of the motorcycle stand.

9. Warranty and Customer Support

Wiltec products are manufactured to high-quality standards. In the unlikely event of a defect or malfunction, please contact Wiltec customer support for assistance. Keep your purchase receipt as proof of purchase for any warranty claims.

For further assistance, please visit the official Wiltec website or contact their customer service department.