

[Manuals.plus](#) /

> [Serta](#) /

> Serta Box Upholstered Full Bed Instruction Manual (Model SA-ZOYFBGU2522)

Serta SA-ZOYFBGU2522

Serta Box Upholstered Full Bed Instruction Manual

Brand: Serta

Model: SA-ZOYFBGU2522

PRODUCT OVERVIEW

The Serta Box Upholstered Full Bed is a platform frame designed to enhance your bedroom. It features a classic upholstered headboard and sides in a neutral beige tone, with elegant tufting. The low-profile footboard and full euro slat system provide maximum mattress support. This design allows for integration with various decor styles, offering a clean and updated look.



Image: Close-up view of the tufted beige headboard, showcasing the upholstery detail.

SAFETY INFORMATION

- Always follow assembly instructions carefully to prevent instability.
- Do not exceed the maximum weight limit of 528 pounds.
- Keep out of direct sunlight and extreme heat to maintain the product's condition and prevent material degradation.

SETUP AND ASSEMBLY

Included Components

Before beginning assembly, ensure all parts are present:

- Headboard
- Footboard

- Side Rails
- Slats
- Hardware (bolts, washers, nuts, Allen wrench)

Assembly Instructions

Follow these general steps for assembly. Refer to the video for visual guidance.

1. Unpack all components and lay them out on a clean, soft surface to prevent scratches.
2. Attach the side rails to the headboard and footboard using the provided hardware. Ensure all connections are secure but do not overtighten initially.
3. Install the center support beam(s) and legs, if applicable, to the frame.
4. Place the slats across the side rails. Secure them according to the instructions, typically by screwing them into place or using plastic caps.
5. Once all components are in place, tighten all bolts and screws securely.

Your browser does not support the video tag.

Video: Assembly guide for a similar bed frame by Lifestyle Solutions, demonstrating key steps for construction. This video is provided by the manufacturer.



Image: Dimensional diagram of the Serta Box Upholstered Full Bed, showing overall length, width, and height.

OPERATING INSTRUCTIONS

Once assembled, the Serta Box Upholstered Full Bed is ready for use.

- **Mattress Placement:** Carefully place your full-size mattress directly onto the euro slat system. No box spring is required for this platform bed.
- **Weight Distribution:** Ensure weight is distributed evenly across the bed surface. Avoid concentrating heavy loads in one small area.
- **Movement:** When moving the bed, lift it rather than dragging to prevent damage to the frame or flooring.

MAINTENANCE AND CARE

Proper care will help maintain the appearance and longevity of your Serta Box Upholstered Full Bed:

- **Sunlight and Heat:** Keep the bed out of direct sunlight and away from extreme heat sources to prevent fading and

material damage.

- **Cleaning Fabric:** Vacuum the upholstered fabric regularly with a soft brush attachment to remove dust and debris.
- **Spot Cleaning:** For stains, wipe immediately with a dry cloth. For more stubborn spots, use a mixture of mild soap and water, applying sparingly and blotting dry. Test on an inconspicuous area first.
- **Hardware Check:** Periodically check all bolts and screws to ensure they remain tight. Retighten if necessary to maintain stability.

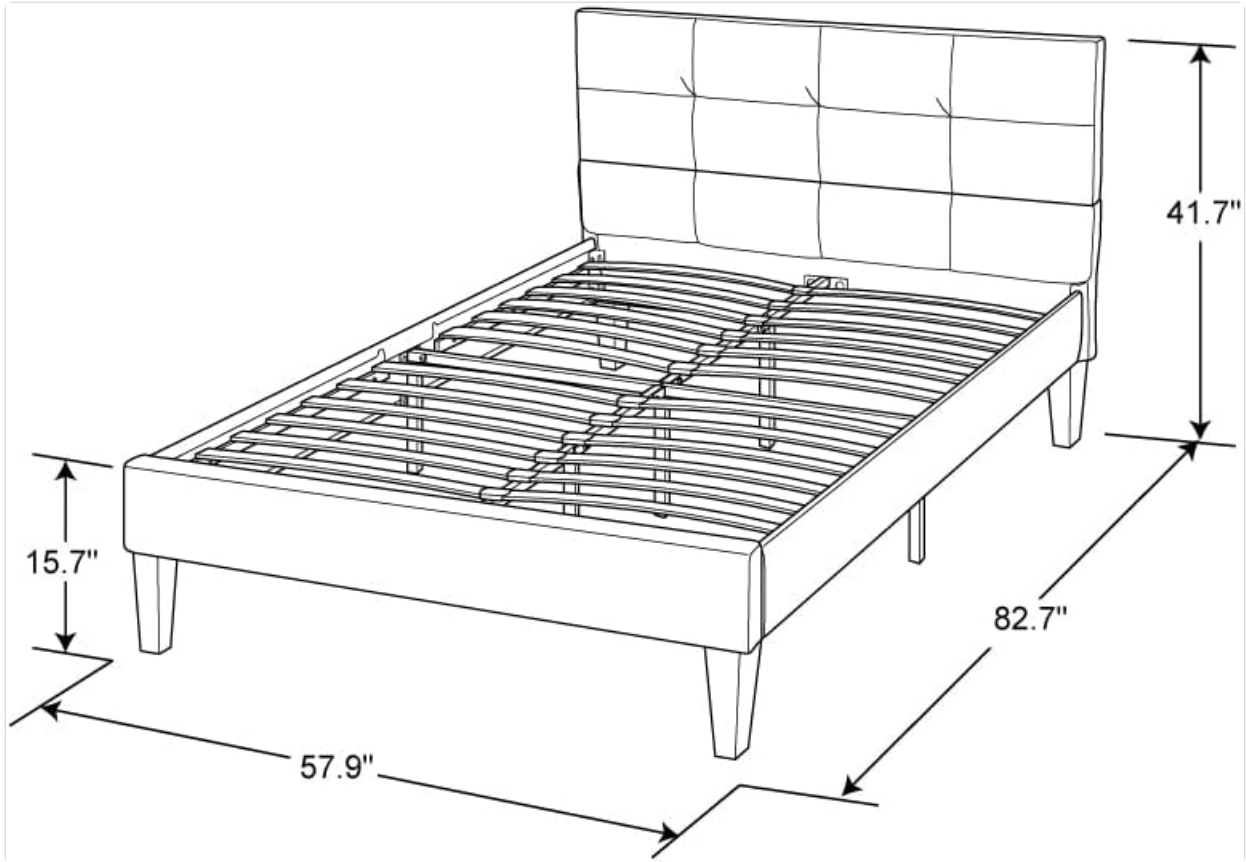


Image: Detailed view of the upholstered fabric and tufting, highlighting the texture and color.

TROUBLESHOOTING

If you encounter any issues with your Serta Box Upholstered Full Bed, consider the following:

- **Squeaking Noises:** Squeaking often indicates loose hardware. Re-tighten all bolts and screws on the frame. Ensure the slats are properly seated and secured.
- **Instability:** If the bed feels unstable, verify that all connections are fully tightened and that the center support legs are correctly installed and adjusted to touch the floor firmly.
- **Damaged Parts:** If any part is damaged or missing upon arrival, do not proceed with assembly. Contact customer support for replacement parts.

SPECIFICATIONS

Brand Name	Serta
Model Number	SA-ZOYFBGU2522
Size	Full

Material	Fabric, Metal, Wood
Product Dimensions (L x W x H)	82.7"L x 57.9"W x 41.7"H
Item Weight	78.3 Pounds
Maximum Weight Recommendation	528 Pounds
Color	Beige
Style	Modern
Special Features	Bed in a box, High density foam, Simple assembly, Solid wood frame, Tufted headboard
Included Components	Footboard, Hardware, Headboard, Rails, Slat
Manufacturer	Lifestyle Solutions
UPC	898672000141

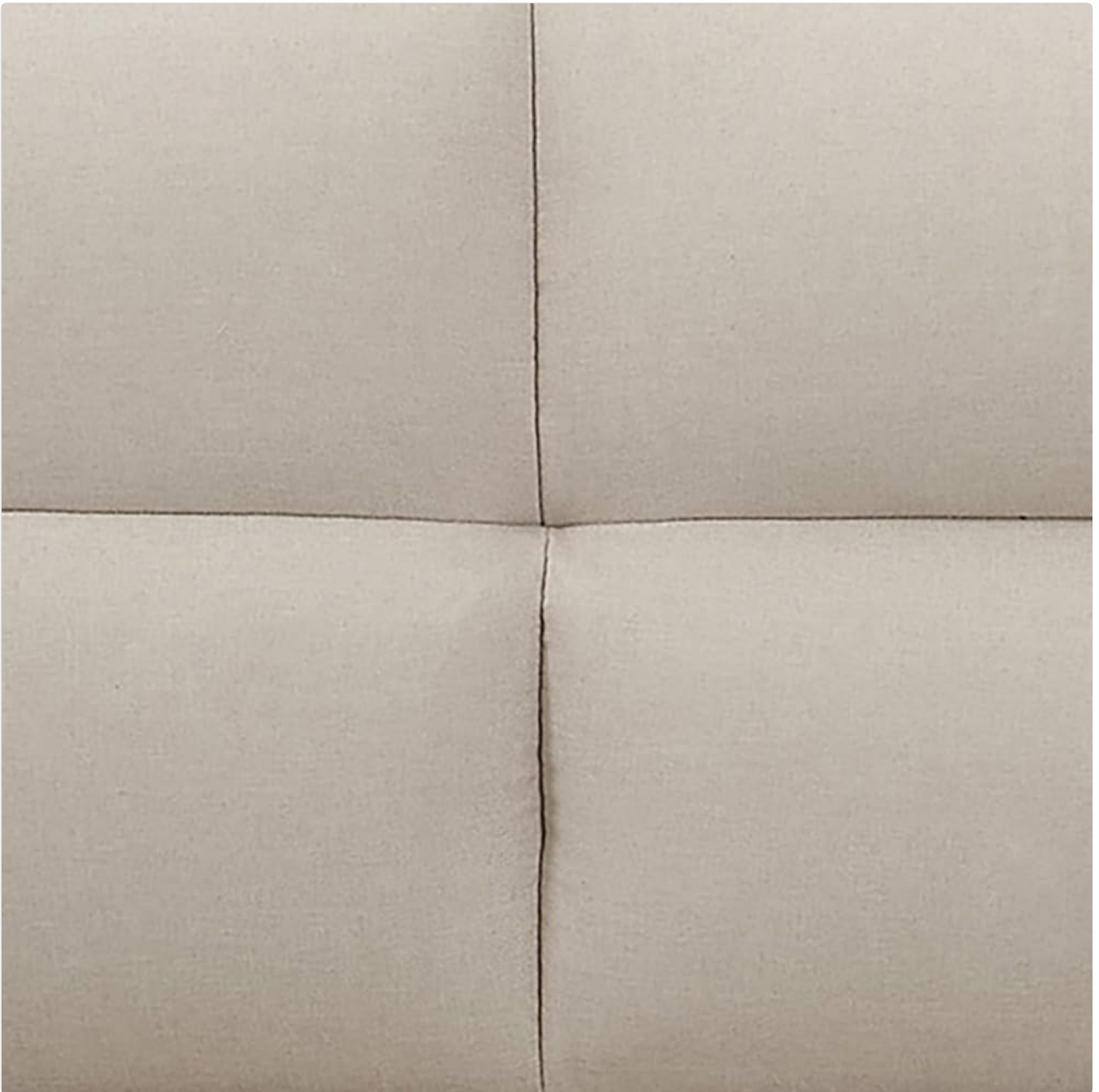


Image: Close-up view of the bed's corner, showing the upholstered frame and a black tapered leg.

WARRANTY AND SUPPORT

Manufacturer's Warranty

This Serta Box Upholstered Full Bed comes with a **1-year limited manufacturer's warranty**. This warranty covers defects in materials and workmanship under normal use. Please retain your proof of purchase for warranty claims.

Customer Support

For any questions regarding assembly, missing parts, warranty claims, or other product-related inquiries, please contact Serta customer service. Refer to the contact information provided with your purchase documentation or visit the official Serta website for support details.