

Manuals+

[Q & A](#) | [Deep Search](#) | [Upload](#)

manuals.plus /

> [ZURI](#) /

> [ZURI Jillian Gray Leatherette Bar Stool Instruction Manual](#)

ZURI Jillian Bar Stool

ZURI Jillian Gray Leatherette Bar Stool Instruction Manual

Model: Jillian Bar Stool | Brand: ZURI

INTRODUCTION

This manual provides detailed instructions for the assembly, operation, maintenance, and care of your ZURI Jillian Gray Leatherette Bar Stool. Please read these instructions carefully before assembly and use to ensure proper function and longevity of your product.

Important Safety Information:

Do not exceed the maximum weight recommendation of 275 pounds. Ensure the stool is properly assembled for stability. Always use the stool on a flat, stable surface. Avoid standing on the stool.

PACKAGE CONTENTS

Please verify that all components are present before beginning assembly. If any parts are missing or damaged, please contact ZURI customer support.

- 1 x Jillian Bar Stool Seat and Backrest Assembly
- 4 x Legs (integrated with seat)
- 2 x Stainless Steel Crossbars (Footrests)
- Hardware Pack (screws, washers, Allen wrench)

SETUP: ASSEMBLY INSTRUCTIONS

Follow these steps to assemble your ZURI Jillian Bar Stool. It is recommended to assemble on a soft, clean surface to prevent scratching.

1. **Unpack Components:** Carefully remove all parts from the packaging and lay them out. Check against the 'Package Contents' list.
2. **Attach First Crossbar:** Identify the longer stainless steel crossbar. Align the holes on the

crossbar with the pre-drilled holes on the inner side of the front and back legs. Insert the provided screws and tighten them partially with the Allen wrench.

3. **Attach Second Crossbar:** Identify the shorter stainless steel crossbar. Align the holes on this crossbar with the pre-drilled holes on the inner side of the remaining two legs. Insert the provided screws and tighten them partially.
4. **Final Tightening:** Once both crossbars are in place and all screws are partially threaded, gently place the stool upright on a level surface. Apply even pressure to the seat to ensure all legs are touching the ground. Then, fully tighten all screws securely. Do not overtighten.



Image: Close-up of the stainless steel crossbars (footrests) connecting the legs. This shows the typical attachment points for assembly.



Image: Detailed view of the gray leatherette upholstery and stitching on the ZURI Jillian Bar Stool seat and backrest. This illustrates the material and finish.

OPERATING INSTRUCTIONS

The ZURI Jillian Bar Stool is designed for comfortable seating at bar-height surfaces.

- **Seating:** Sit centrally on the seat, ensuring your weight is evenly distributed.
- **Footrest:** Utilize the stainless steel crossbars as footrests for added comfort and stability.
- **Weight Limit:** Do not exceed the recommended weight capacity of 275 pounds.
- **Movement:** When moving the stool, lift it rather than dragging it to prevent damage to the legs or floor.



Image: Two ZURI Jillian Gray Leatherette Bar Stools positioned at a kitchen island, demonstrating typical usage in a home setting.

MAINTENANCE AND CARE

Proper care will help maintain the appearance and extend the life of your bar stool.

- **Cleaning Leatherette:** Wipe clean with a soft, damp cloth. For tougher spots, use a mild soap solution and immediately wipe dry. Avoid harsh chemicals, abrasive cleaners, or solvents, as these can damage the leatherette.
- **Cleaning Stainless Steel:** Wipe with a soft, dry cloth. For fingerprints or smudges, use a stainless steel cleaner according to its instructions.
- **Regular Inspection:** Periodically check all screws and connections to ensure they remain tight. Retighten if necessary to prevent wobbling and ensure stability.
- **Avoid Direct Sunlight:** Prolonged exposure to direct sunlight can cause the leatherette to fade or crack.
- **Protect from Heat:** Keep the stool away from direct heat sources like radiators or fireplaces.



Image: Close-up of the gray leatherette material on the ZURI Jillian Bar Stool, highlighting its texture and finish for care reference.

TROUBLESHOOTING

If you encounter any issues with your bar stool, refer to the following common problems and solutions:

- **Stool is Wobbly:**
Solution: Check all assembly screws, especially those connecting the crossbars to the legs. Ensure they are fully tightened. Make sure the stool is on a flat, even surface.
- **Scratches on Floor:**
Solution: Ensure the protective glides on the bottom of the legs are intact. If damaged or missing, replacement glides may be needed. Avoid dragging the stool.
- **Leatherette Damage:**
Solution: For minor scuffs, a leatherette repair kit may be used. For significant damage, contact ZURI customer support for advice.

SPECIFICATIONS

Detailed product specifications for the ZURI Jillian Gray Leatherette Bar Stool:

Feature	Detail
Brand	ZURI
Model	Jillian Bar Stool
Color	Gray
Material	Soft Leatherette Upholstered Seat and Legs with Steel Frame
Overall Dimensions (W x D x H)	17.25" x 20.75" x 41.75"
Seat Height	30.5"
Seat Depth	16.5"
Footrest Height	12.5" (approximate from floor)
Suggested Weight Capacity	275 LBS
Item Weight	27.1 pounds
Product Care	Wipe Clean
UPC	800265992108
ASIN	B07NC8RFJC

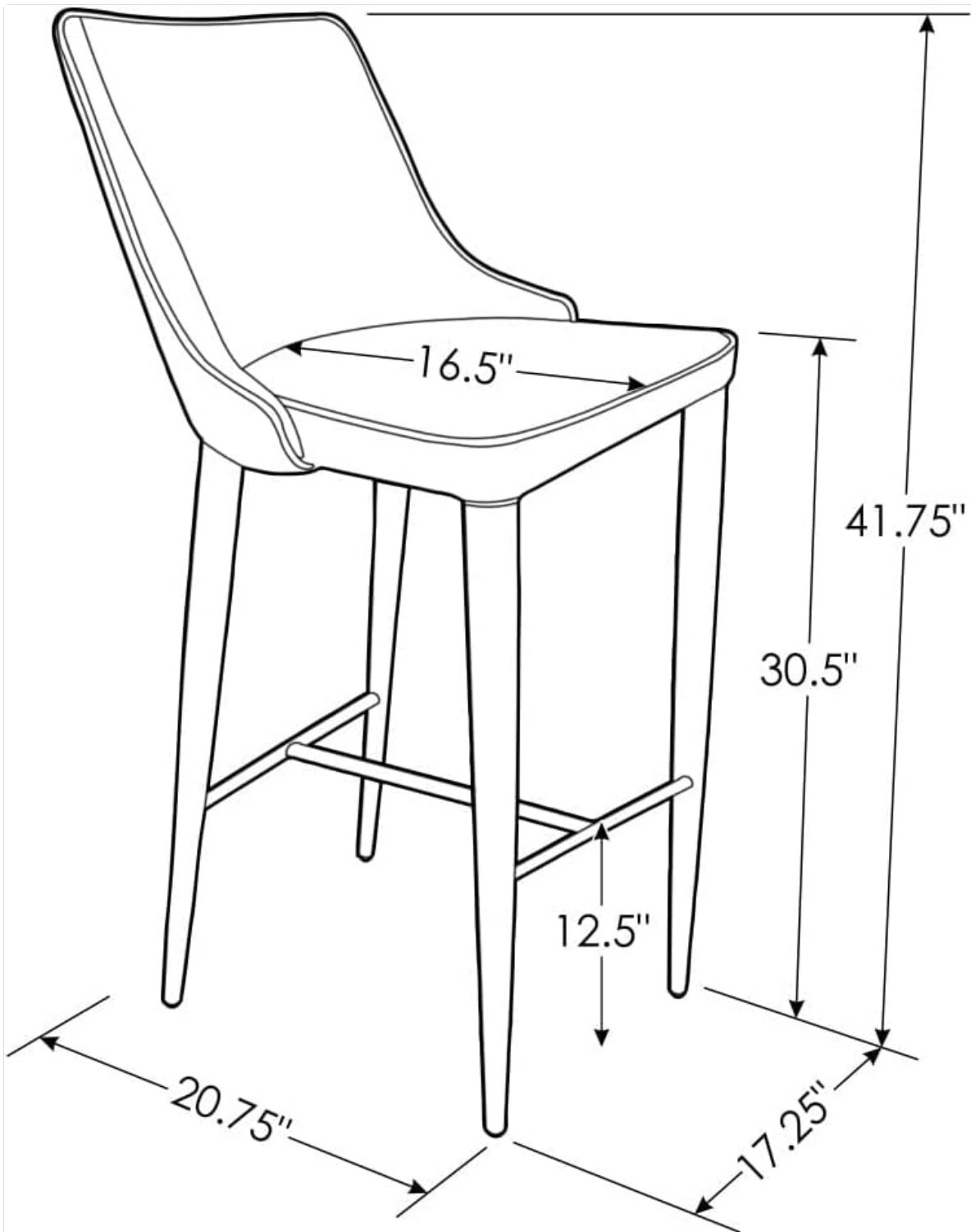


Image: Line drawing illustrating the dimensions of the ZURI Jillian Bar Stool, including overall height, width, depth, seat height, and seat depth for precise measurements.

WARRANTY INFORMATION

For specific warranty details regarding your ZURI Jillian Bar Stool, please refer to the warranty documentation included with your purchase or visit the official ZURI Furniture website. Warranty terms typically cover manufacturing defects for a specified period from the date of purchase.

SUPPORT AND CONTACT INFORMATION

If you require further assistance, have questions about assembly, or need to report a missing/damaged part, please contact ZURI customer support through their official channels.

- **Online Support:** Visit the [ZURI Store on Amazon](#) or the official ZURI Furniture website.
- **Retailer Support:** Contact the retailer from whom you purchased the product.