

Manuals+

[Q & A](#) | [Deep Search](#) | [Upload](#)

manuals.plus /

- › [Vicco](#) /
- › [Vicco R-Line 40cm White High Gloss Glass Wall Cabinet Instruction Manual](#)

Vicco 29263

Vicco R-Line 40cm White High Gloss Glass Wall Cabinet

Instruction Manual

PRODUCT OVERVIEW

The Vicco R-Line 40cm White High Gloss Glass Wall Cabinet is designed to complement modern kitchen systems. This modular unit features two glass doors and an internal shelf, providing secure storage for your kitchen essentials. Its high-gloss white finish offers an elegant aesthetic, making it a versatile addition to any home.

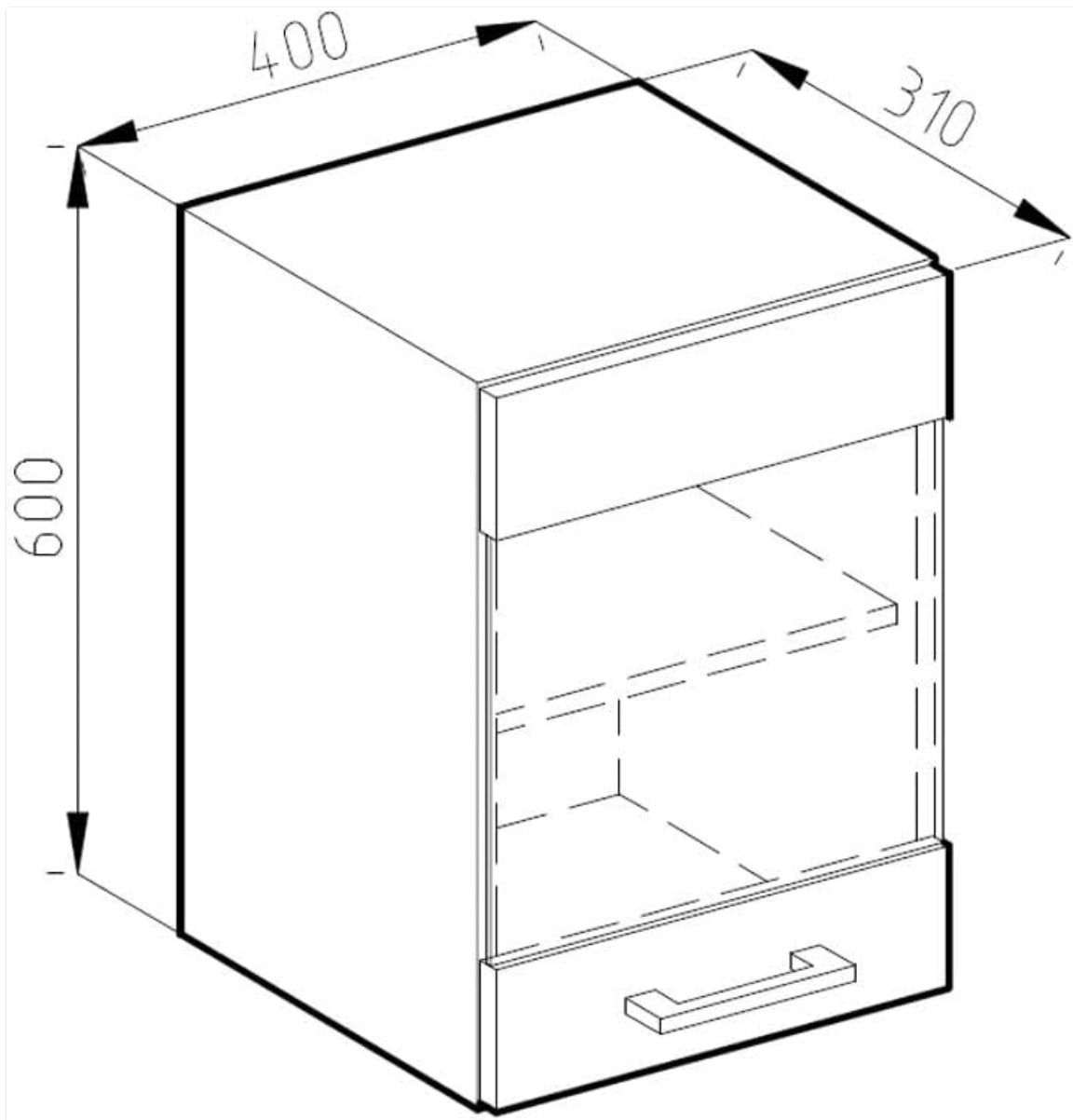


Image: Vicco R-Line 40cm White High Gloss Glass Wall Cabinet, closed view.

SAFETY INFORMATION

- **Wall Mounting:** Securely fasten the kitchen cabinet to the wall to prevent tipping.
- **Load Capacity:** Adhere to the maximum load capacity of 10 kilograms per shelf to avoid overloading.
- **Stability:** Ensure the kitchen cabinet is stable and secure during use.
- **Assembly:** Follow all assembly instructions carefully to ensure structural integrity.

PACKAGE CONTENTS

Before beginning assembly, verify that all components listed below are present and undamaged. If any parts are missing or damaged, please contact customer support.

- Kitchen cabinet components for self-assembly (decoration not included).
- Assembly instructions manual.
- Mounting hardware.
- Shelf (included as part of the cabinet).

The product is typically shipped in 2 cartons.

SETUP AND ASSEMBLY

Assembly is required for this cabinet. Please follow the included detailed assembly instructions step-by-step. Ensure you have adequate space and the necessary tools before starting. It is recommended to assemble the cabinet on a soft, clean surface to prevent scratches.

1. Unpack all components and verify against the parts list in the assembly manual.
2. Identify all hardware and panels.
3. Follow the graphical instructions for connecting panels and installing shelves.
4. Attach the glass doors according to the instructions, ensuring they open and close smoothly.
5. Mount the cabinet securely to the wall using appropriate fasteners for your wall type (fasteners for wall mounting may not be included and should be purchased separately if needed). Refer to the safety information regarding wall mounting.



Image: Technical drawing showing dimensions (Width: 400mm, Height: 600mm, Depth: 310mm).



Image: Vicco R-Line 40cm White High Gloss Glass Wall Cabinet with one glass door open, revealing an internal shelf.

OPERATING INSTRUCTIONS

This wall cabinet is designed for storing kitchen items. It features two glass doors and an internal shelf.

- **Opening/Closing Doors:** Gently pull the handle to open the glass doors. Push the doors firmly until they close completely.
- **Shelf Adjustment:** The internal shelf is fixed. Do not attempt to adjust its height.
- **Loading:** Distribute weight evenly on the shelf. Do not exceed the maximum load capacity of 10 kilograms per shelf.

MAINTENANCE

To maintain the appearance and longevity of your Vicco R-Line cabinet, follow these simple maintenance guidelines:

- **Cleaning:** Wipe the surfaces with a dry cloth. For stubborn marks, use a slightly damp cloth with a mild, non-abrasive cleaner, then dry immediately. Avoid harsh chemicals or abrasive materials.
- **Glass Care:** Clean glass doors with a standard glass cleaner and a soft cloth.
- **Inspection:** Periodically check all screws and fittings to ensure they remain tight. Retighten if necessary.
- **Avoid Moisture:** Protect the cabinet from excessive moisture and direct heat sources.

TROUBLESHOOTING

If you encounter any issues with your Vicco R-Line cabinet, refer to the following common solutions:

Problem	Possible Cause	Solution
Doors do not close properly.	Loose hinges or misaligned cabinet.	Check and tighten hinge screws. Ensure the cabinet is level and securely mounted to the wall.

Problem	Possible Cause	Solution
Cabinet feels unstable.	Improper wall mounting or loose connections.	Verify wall mounting is secure and all assembly screws are tightened. Do not overload shelves.
Scratches or marks on surface.	Improper cleaning or impact.	Use only soft, dry cloths for cleaning. Avoid abrasive materials. Minor scratches may be buffed out with specialized furniture polish.

SPECIFICATIONS

Brand:	Vicco
Model Number:	29263
Color:	White High Gloss
Material:	Engineered Wood (16 mm particle board with melamine resin coating)
Dimensions (L x W x H):	31 cm (Depth) x 40 cm (Width) x 60 cm (Height)
Weight:	12.2 Kilograms
Assembly Required:	Yes
Installation Type:	Wall Mount
Door Type:	Slab (Glass)
Number of Pieces:	1 cabinet unit
Recommended Uses:	Tools, Dishes

WARRANTY AND SUPPORT

Specific warranty information for this product is not provided in the available documentation. For any warranty claims, technical support, or inquiries regarding missing parts, please contact the retailer or the manufacturer, Vicco (Oskar Kinderland), directly through their official channels.

Please retain your proof of purchase for any support requests.

