

Manuals+

[Q & A](#) | [Deep Search](#) | [Upload](#)

manuals.plus /

› [DHP](#) /

› [DHP Franklin Mid-Century Upholstered Daybed Frame Twin User Manual](#)

DHP 4126619

DHP Franklin Mid-Century Upholstered Daybed Frame Twin User Manual

Model: 4126619

INTRODUCTION

This manual provides detailed instructions for the assembly, operation, and maintenance of your DHP Franklin Mid-Century Upholstered Daybed Frame. Please read all instructions carefully before beginning assembly and retain this manual for future reference.

SAFETY INFORMATION

- Always follow assembly instructions precisely. Incorrect assembly can lead to instability and injury.
- Ensure all bolts and screws are securely tightened before use. Periodically check and re-tighten as necessary.
- Do not exceed the maximum weight limit of 400 lbs.
- Keep small parts away from children during assembly to prevent choking hazards.
- This product is designed for indoor use only.
- Use only the mattress size specified (Twin-size).

PARTS LIST

Before assembly, verify that all components are present and undamaged. Refer to the included hardware pack for specific part identifiers.



Image: Complete DHP Franklin Mid-Century Upholstered Daybed Frame in blue linen, twin size, shown in a room setting.

The daybed frame includes upholstered side panels, a back panel, wooden slats, support legs, and all necessary hardware for assembly. A standard twin-size mattress is required but not included.

SETUP AND ASSEMBLY

Assembly typically requires two adults and the included tools. Follow these steps carefully:

1. **Unpack Components:** Carefully remove all parts from the packaging. Lay them out on a clean, soft surface to prevent scratches.
2. **Attach Legs:** Secure the tapered solid wood legs to the base of the daybed frame. Ensure they are firmly attached.
3. **Assemble Frame:** Connect the upholstered side panels and back panel using the provided hardware. Do not fully tighten all screws until the entire frame is aligned. This allows for easier adjustment.
4. **Install Slat Base:** Position the bentwood slats into the designated slots on the frame. The wood slat base provides support and air circulation for your mattress.

5. **Final Tightening:** Once all components are in place and aligned, fully tighten all screws and bolts.
6. **Mattress Placement:** Place a standard twin-size mattress (not included) onto the slat base. The raised sides of the daybed are designed to keep the mattress in place.

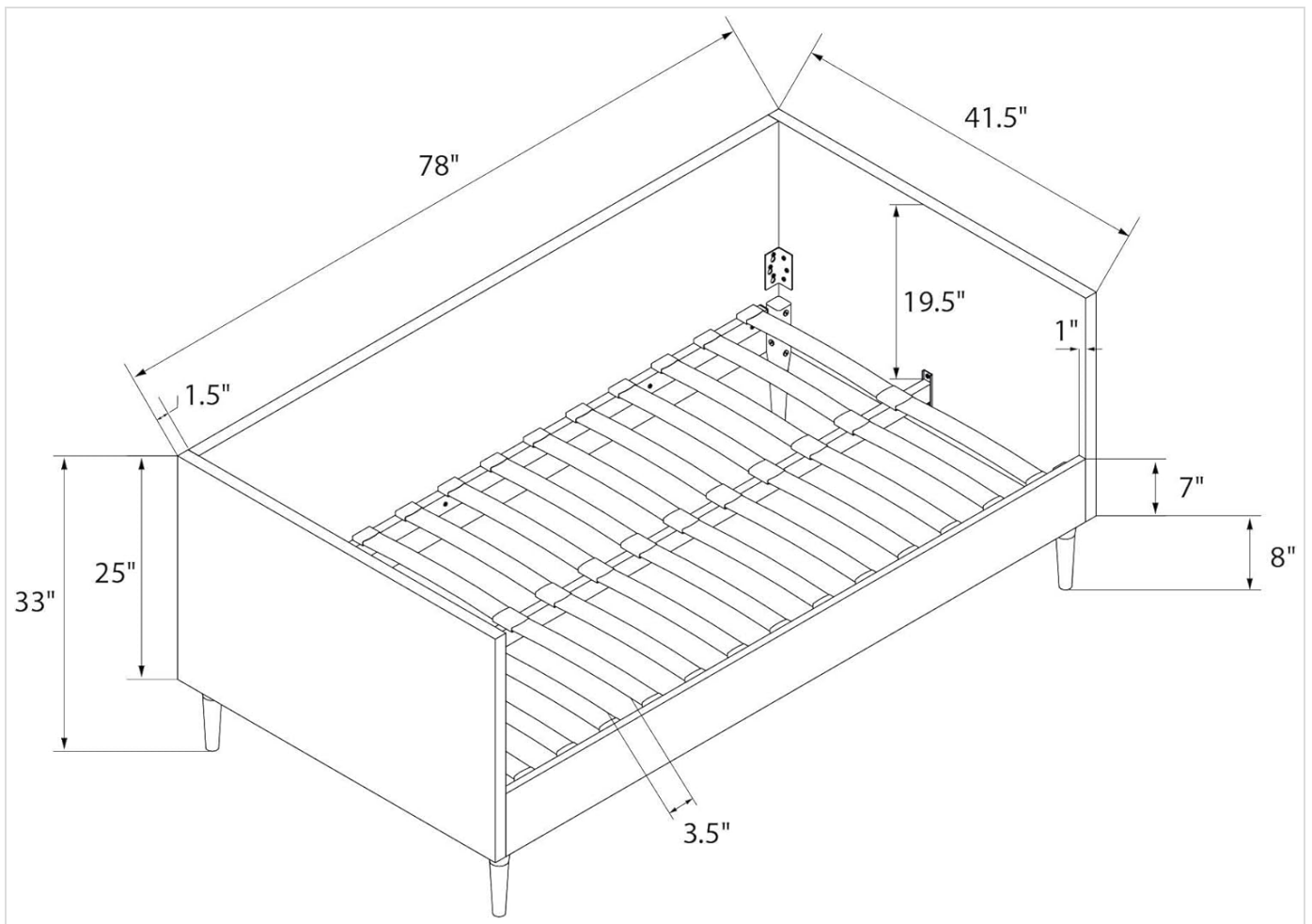


Image: Detailed dimensional drawing of the daybed frame, illustrating key measurements and structural components for assembly.

FITS 1 TWIN SIZE MATTRESS

(not included)



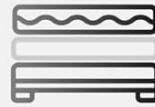
Pictured with a 6" mattress



Weight Limit



Multifunctional



No Boxspring



Trendy Design

Image: Diagram highlighting design features such as thin track arms, bentwood slats, padded sides and back, tapered solid wood legs, and a sturdy metal and wood frame.

Your browser does not support the video tag.

Video: Detailed assembly guide for the DHP Franklin Daybed, demonstrating step-by-step installation of components.

OPERATING INSTRUCTIONS

The DHP Franklin Daybed is designed for versatile use as both seating and an extra sleeping surface.

- **Seating:** Use the daybed as a comfortable sofa for lounging, reading, or socializing. The padded back and sides provide support.
- **Sleeping:** When needed, the daybed functions as a twin-size bed. Ensure a suitable twin mattress is placed on the slat base. No box spring is required.
- **Mattress Compatibility:** This daybed accommodates one standard twin-size mattress. For optimal comfort and appearance, a mattress thickness of 7 inches or more is recommended to cover the internal frame hardware.

Quality crafted
and upholstered in
skin-friendly material



Padded headboard
and sides for comfortable
back support while watching
tv or reading

Stylish gold finished
metal tapered legs



Image: The DHP Franklin Daybed shown with a mattress and decorative pillows, illustrating its use as a comfortable seating area.

MAINTENANCE

Proper care will extend the life and appearance of your daybed.

- **Cleaning:** Wipe clean the upholstered surfaces with a damp cloth. Avoid harsh chemicals or abrasive cleaners, which can damage the fabric.
- **Hardware Check:** Periodically inspect all bolts and screws to ensure they remain tight. Re-tighten as needed to maintain stability.
- **Fabric Care:** For spills, blot immediately with a clean, dry cloth. For stubborn stains, consult a professional upholstery cleaner.
- **Moving:** When moving the daybed, lift it rather than dragging it to prevent damage to the legs and frame.

TROUBLESHOOTING

Problem	Possible Cause	Solution
Daybed feels unstable or wobbly.	Loose hardware.	Check and tighten all bolts and screws. Ensure legs are securely attached.
Difficulty aligning frame parts during assembly.	Screws were fully tightened too early.	Loosen all screws slightly, align the parts, then re-tighten securely.
Mattress slides forward.	Lack of friction between mattress and slats, or mattress is too thin.	Ensure the mattress is properly seated within the raised sides. Consider placing a non-slip mat (e.g., yoga mat) between the mattress and slats. A thicker mattress (7 inches or more) may also help.
Squeaking noises.	Loose connections or friction between parts.	Re-tighten all hardware. Apply a small amount of lubricant (e.g., silicone spray) to metal-on-metal contact points if necessary.

SPECIFICATIONS

Model Number:	4126619
Product Dimensions:	78"L x 41.5"W x 33"H
Weight Limit:	400 lbs
Net Weight:	88 lbs
Mattress Size:	Twin (not included)
Upholstery Material:	Linen
Frame Material:	Metal and Wood
Assembly Required:	Yes
Care Instructions:	Wipe Clean with a Damp Cloth



Image: The DHP Franklin Daybed shown without pillows, highlighting the mattress area and overall frame structure.

WARRANTY AND SUPPORT

DHP provides a worry-free manufacturer warranty for this product. For specific warranty details, please refer to the documentation included with your purchase or contact DHP customer support.

For any questions, missing parts, or assistance with assembly, DHP customer support is available 7 days a week. Please visit the official DHP website or refer to your purchase documentation for contact information.

**TRUSTED FURNITURE
MANUFACTURER
FOR OVER 5 DECADES**


CUSTOMER SUPPORT
7 DAYS / WEEK


ASSEMBLY VIDEOS


EASY TO READ
INSTRUCTION MANUALS


ONLINE REPLACEMENT
PARTS ORDERING


WORRY-FREE
MANUFACTURER WARRANTY

Image: Graphic detailing DHP's commitment as a trusted furniture manufacturer, including customer support and warranty information.

