



[Manuals.plus](#) /

> [GameSir](#) /

> GameSir VX2 AimBox Keyboard and Mouse Adapter User Manual

GameSir GameSir VX2 AimBox

GameSir VX2 AimBox Keyboard and Mouse Adapter User Manual

Model: GameSir VX2 AimBox

1. PRODUCT OVERVIEW

The GameSir VX2 AimBox is a versatile multi-platform console input adapter designed to enhance your gaming experience by allowing the use of a keyboard and mouse on various gaming consoles. It is compatible with Xbox One, Xbox Series X/S, PlayStation 4, PlayStation 5, and Nintendo Switch, making it ideal for a wide range of game genres including FPS, TPS, RPG, and RTS.

This adapter features advanced Agility Translation Technology for precise 1:1 gaming accuracy and offers highly customizable settings via the GameSir app.



Image: Front view of the GameSir VX2 AimBox adapter, showcasing its compact design, green LED accents, and USB ports.

2. KEY FEATURES

- **Multi-Platform Compatibility:** Supports Xbox One, Xbox Series X/S, PlayStation 4, PlayStation 5, and Nintendo Switch.
- **Dual-Sided USB 2.0 Ports:** Features three reversible USB 2.0 ports for easy plug-in of keyboard and mouse without orientation concerns.
- **Agility Translation Technology:** Provides 1:1 gaming accuracy for precise and timely movements with keyboard and mouse.
- **Customizable Settings via GameSir App:** Allows users to customize keymaps and mouse sensitivity for any game. Official configurations are also available.
- **Adjustable Colorful Lighting:** LED indicators flash upon successful console connection, with different colors for Xbox (green), PS4 (blue), and Switch (red), then cycle through colors.
- **Solid Build:** Includes an added counterweight inside for stability and silicone rubber foot pads for anti-slip performance.



Image: Various detailed views of the GameSir VX2 AimBox, highlighting its reversible USB ports, internal construction with a counterweight, and anti-slip silicone feet.

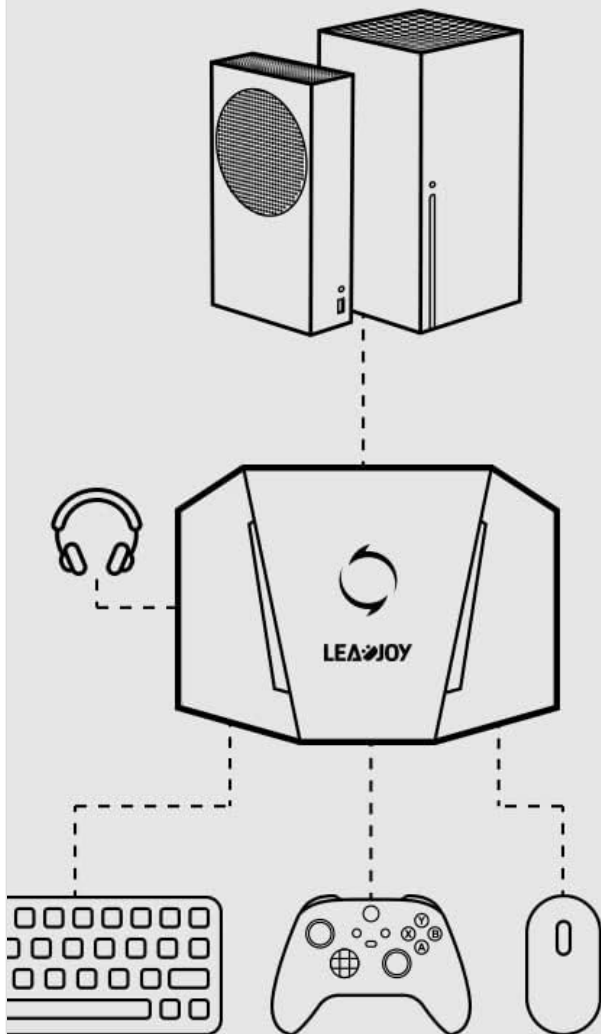
3. SETUP GUIDE

Follow these steps to connect your GameSir VX2 AimBox to your gaming console.

3.1. Connecting to Xbox Series X/S or Xbox One

1. Connect the GameSir VX2 AimBox to an available USB port on your Xbox Series X/S or Xbox One console using the provided cable.
2. Connect your wired keyboard to one of the USB ports on the AimBox.
3. Connect your wired mouse to another USB port on the AimBox.
4. Connect your official Xbox controller to the middle USB port on the AimBox. Ensure the controller is powered on.
5. The AimBox LED will flash green three times upon successful connection to an Xbox console.

CONNECT VX2 AIMBOX TO XBOX SERIES X/S



CONNECT VX2 AIMBOX TO XBOX ONE

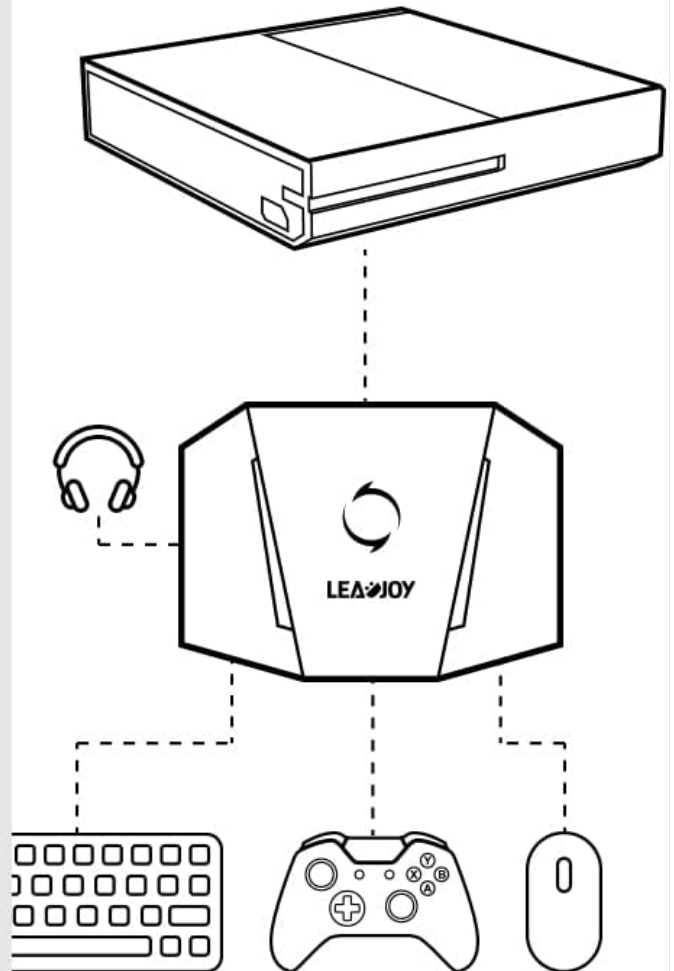


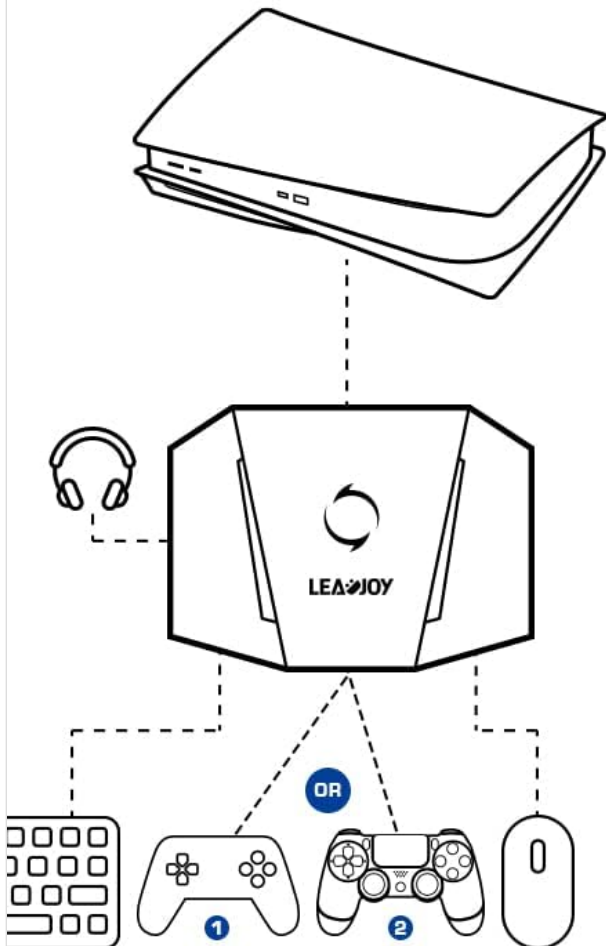
Image: Connection diagrams for Xbox Series X/S and Xbox One, illustrating the setup of the AimBox with a keyboard, mouse, and controller.

3.2. Connecting to PlayStation 5 or PlayStation 4

1. Connect the GameSir VX2 AimBox to an available USB port on your PlayStation 5 or PlayStation 4 console.
2. Connect your wired keyboard to one of the USB ports on the AimBox.
3. Connect your wired mouse to another USB port on the AimBox.
4. **For PlayStation 5:** Connect a Sony licensed third-party controller to the middle USB port on the AimBox for PS5 games. For backward-compatible PS4 games, you must use an official PS4 controller connected to the middle port.
5. **For PlayStation 4:** Connect your official PS4 controller to the middle USB port on the AimBox. Ensure the controller is powered on.
6. The AimBox LED will flash blue three times upon successful connection to a PlayStation console.

CONNECT VX2 AIMBOX TO PLAYSTATION 5

- 1 With Sony licensed third-party controller, for PS5 games.
- 2 With official PS4 controller, only for backward-compatible PS4 games.



CONNECT VX2 AIMBOX TO PLAYSTATION 4

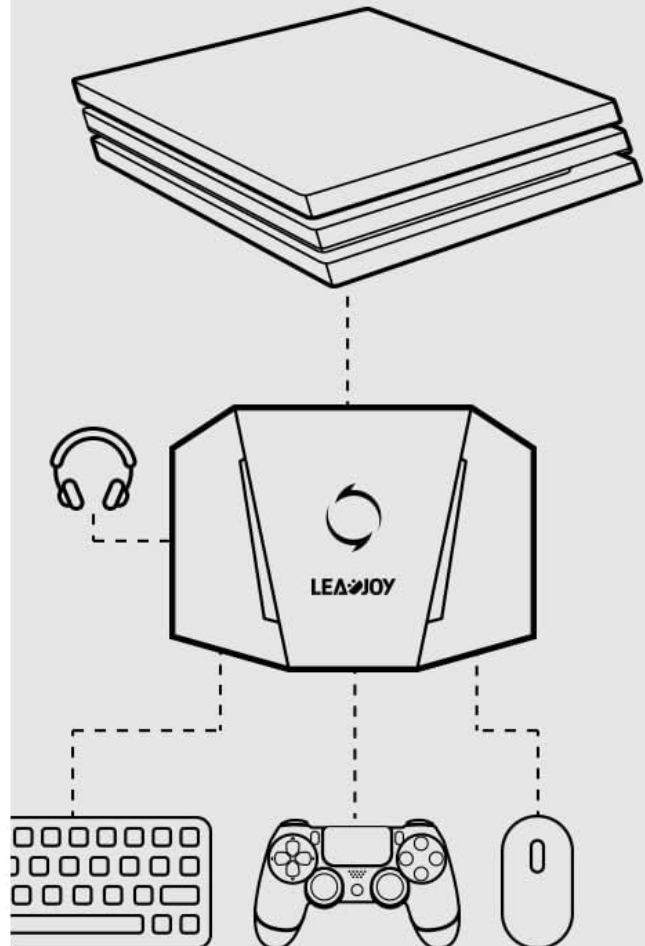


Image: Connection diagrams for PlayStation 5 and PlayStation 4, detailing the required controller types for each console when using the AimBox.

3.3. Connecting to Nintendo Switch

1. Connect the GameSir VX2 AimBox to an available USB port on your Nintendo Switch dock.
2. Connect your wired keyboard to one of the USB ports on the AimBox.
3. Connect your wired mouse to another USB port on the AimBox.
4. Connect your official Nintendo Switch Pro Controller (or Joy-Cons connected to a grip) to the middle USB port on the AimBox. Ensure the controller is powered on.
5. The AimBox LED will flash red three times upon successful connection to a Nintendo Switch.

Note: For optimal performance, ensure your console's controller is connected to the middle USB port of the AimBox.



Image: A comprehensive gaming setup demonstrating the GameSir VX2 AimBox facilitating keyboard and mouse input across multiple consoles, including Xbox Series X/S, Xbox One, PlayStation 5, PlayStation 4, and Nintendo Switch.

4. OPERATING INSTRUCTIONS

4.1. GameSir App Customization

The GameSir VX2 AimBox is highly customizable through the dedicated GameSir mobile application. This app allows you to:

- Access official game configurations.
- Customize keymaps for your keyboard and mouse.
- Adjust mouse sensitivity to your preference for different games.
- Manage lighting effects and other settings.

Download the GameSir app from your mobile device's app store (iOS App Store or Google Play Store) and connect your AimBox via Bluetooth for customization.

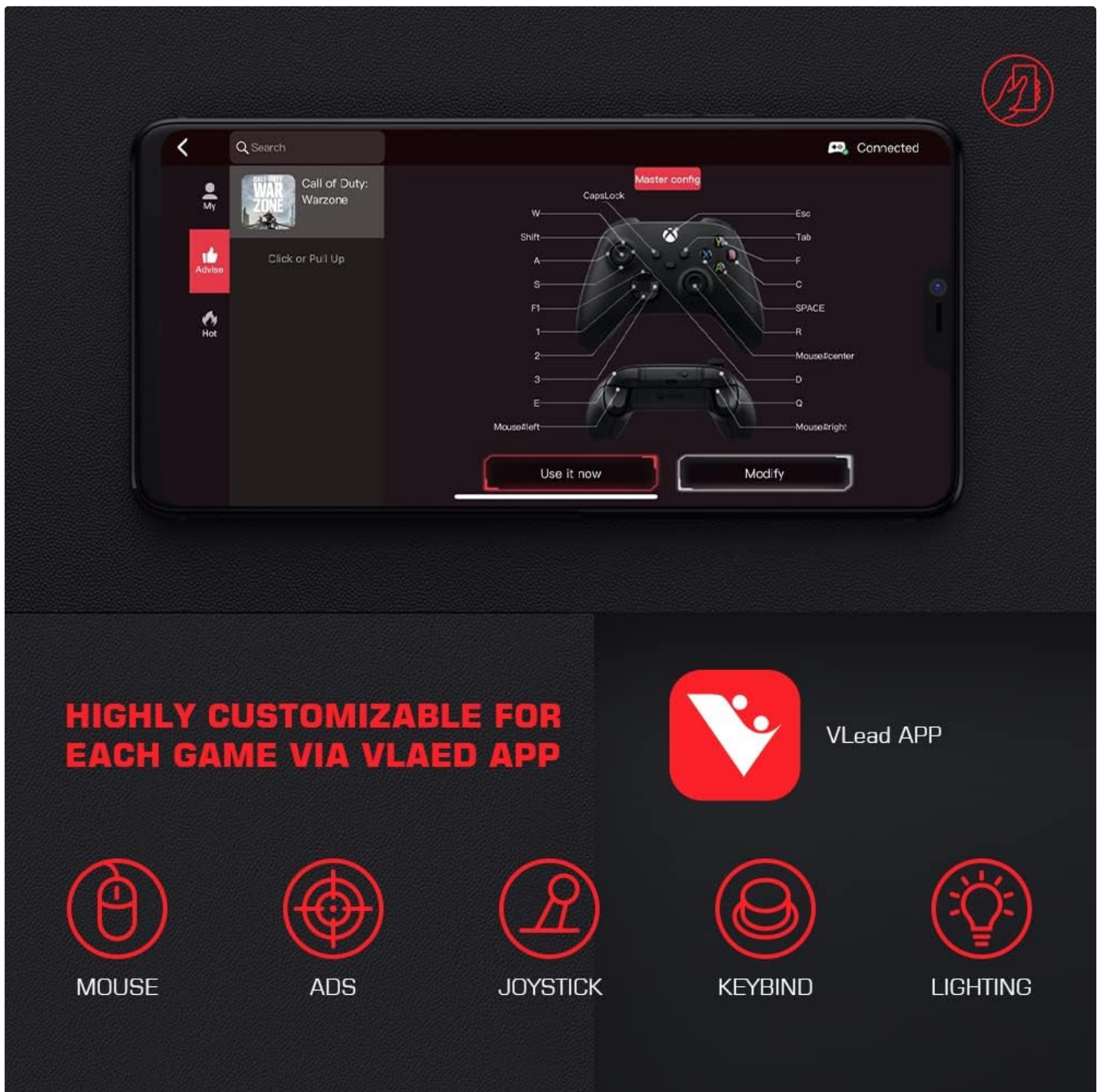


Image: A smartphone displaying the GameSir app, illustrating the various customization options available for mouse, ADS (Aim Down Sight), joystick, keybinds, and lighting settings.

4.2. In-Game Sensitivity Adjustment

For optimal performance, it is recommended to adjust the in-game sensitivity settings to their maximum within the game's options menu. This allows the Agility Translation Technology to provide the most accurate 1:1 response.



AGILITY TRANSLATOR TECHNOLOGY

Advanced VX2 agility translator technology provides 1:1 gaming accuracy, which supports accurate and timely movement with the keyboard and mouse on Xbox/PS/Nintendo Switch.

Image: The GameSir VX2 AimBox adapter illuminated with red LEDs, connected to a gaming keyboard and an Xbox controller, demonstrating its active state and the Agility Translator Technology.

4.3. Audio Support

The GameSir VX2 AimBox supports 3.5mm audio output, allowing you to connect a headset directly to the adapter for in-game audio and voice chat (VC). This feature enhances the immersive gaming experience.



Image: The GameSir VX2 AimBox adapter shown connected to a gaming headset, highlighting its support for 3.5mm audio for communication and immersive sound.

5. MAINTENANCE

To ensure the longevity and optimal performance of your GameSir VX2 AimBox, please follow these maintenance guidelines:

- **Cleaning:** Use a soft, dry cloth to wipe the surface of the device. Avoid using liquid cleaners or abrasive materials.
- **Storage:** Store the device in a cool, dry place away from direct sunlight and extreme temperatures.
- **Handling:** Handle the device with care. Avoid dropping it or subjecting it to strong impacts.
- **Connectivity:** When disconnecting cables, always pull from the plug, not the cable itself, to prevent damage to the ports or wires.

6. TROUBLESHOOTING

- **Device Not Responding:**

- Ensure all cables are securely connected to the AimBox and the console.
- Verify that your official console controller is connected to the middle USB port of the AimBox and is powered on.
- Try connecting the AimBox to a different USB port on your console.
- Restart your console and the AimBox.

- **Keyboard/Mouse Input Lag or Inaccuracy:**

- Ensure the in-game sensitivity settings are set to maximum.
- Adjust sensitivity and keymaps using the GameSir app.
- Ensure your keyboard and mouse are wired. While some wireless devices may work with their dongles, wired connections are generally more stable.

- **LED Indicator Not Lighting Up:**

- Check the power connection to the console.
- Ensure the AimBox is properly connected to the console's USB port.

- **No Audio Through Headset:**

- Verify the headset is securely plugged into the 3.5mm port on the AimBox.
- Check console audio settings to ensure output is directed correctly.
- Note: GameSir VX AimBox does not support headset/VC function for all games or consoles.

- **PS5 Compatibility Issues:**

- For native PS5 games, a Sony licensed third-party controller is required in the middle port.
- For backward-compatible PS4 games played on PS5, an official PS4 controller must be used in the middle port.

7. SPECIFICATIONS

Attribute	Detail
Brand	GameSir
Model Number	GameSir VX2 AimBox
Compatible Devices	PS4, Xbox Series X/S, Nintendo Switch, PS5, Xbox One
Connectivity Type	Micro USB (for connection to console)
USB Ports	3 (Reversible USB 2.0)
Dimensions (L x W x H)	12.9 x 10.4 x 2.8 centimeters
Item Weight	177 Grams
Power Source	Console USB (No separate power plug required)
Rechargeable Battery	No
ASIN	B07MXGGJDM
UPC	712640058838

8. WARRANTY AND SUPPORT

GameSir products typically come with a limited manufacturer's warranty. Please refer to the warranty card included with your product or visit the official GameSir website for detailed warranty terms and conditions.

For technical support, troubleshooting assistance, or further inquiries, please contact GameSir customer service through their official website or support channels. Keep your purchase receipt and product model number handy when seeking support.

Official GameSir Website: www.gamesir.hk

© 2024 GameSir. All rights reserved.

This manual is for informational purposes only. Specifications are subject to change without notice.