



[Manuals.plus](#) /

- › [STANDARD HORIZON](#) /
- › Standard Horizon Eclipse Series GX1400G VHF Radio with GPS User Manual

STANDARD HORIZON GX1400G

Standard Horizon Eclipse Series GX1400G VHF Radio with GPS User Manual

Model: GX1400G

INTRODUCTION

This manual provides detailed instructions for the installation, operation, and maintenance of your Standard Horizon Eclipse Series GX1400G VHF Marine Radio with integrated GPS. Please read this manual thoroughly before using the radio to ensure proper functionality and safety.



Figure 1: Standard Horizon Eclipse Series GX1400G VHF Radio, showing the main unit and microphone.

KEY FEATURES

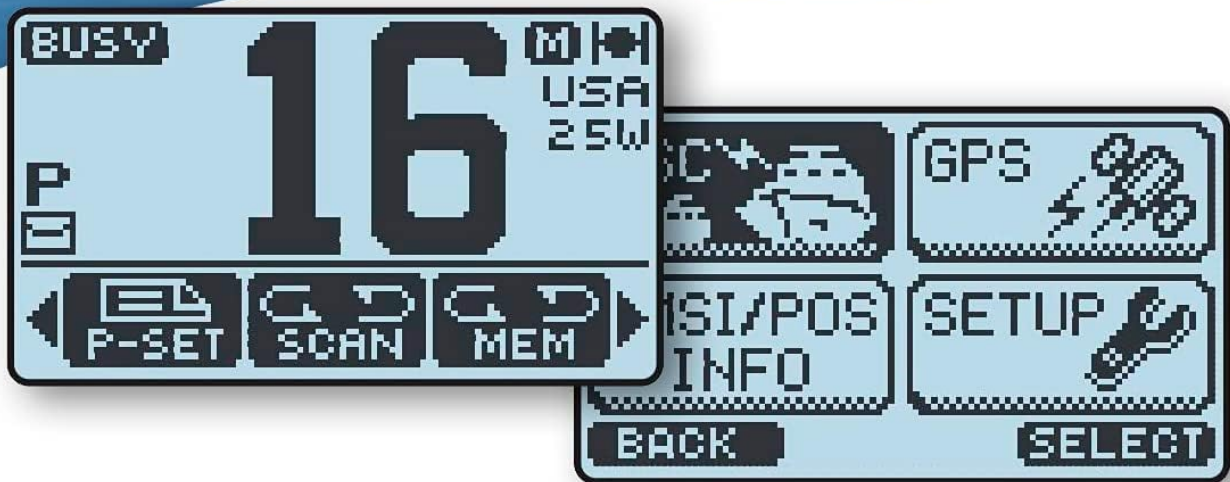
- **Integrated 66-Channel WAAS GPS Receiver:** Provides accurate position data for Digital Selective Calling (DSC) and navigation without external GPS wiring.
- **ITU-R M493-13 Class D DSC:** Dedicated Channel 70 receiver for continuous DSC watch, enabling distress calls, position requests, and more.
- **Oversized Full Dot Matrix Display:** Large, easy-to-read display with bright backlight for clear visibility in various lighting conditions.
- **E2O (Easy to Operate) Menu System:** Intuitive menu structure for simplified access to all functions.
- **IPX8 Submersible Waterproof Rating:** Designed to withstand submersion in 1.5 meters of water for 30 minutes.
- **Noise-Canceling Microphone:** Ensures clear audio transmission by reducing background noise.
- **Programmable Soft Keys:** Customize frequently used functions for quick access.
- **Compact Design:** Ultra-compact fixed-mount unit with a slim rear-case for flexible installation in tight spaces.

OVERSIZED FULL-DOT MATRIX DISPLAY
WIDE AND BOLD INFORMATION DISPLAY

E20 ICON / MENU SYSTEM

BUSY LED INDICATOR

GLOWS GREEN WHEN SIGNAL IS RECEIVED



STANDARD HORIZON
Nothing takes to water like Standard Horizon

**NOTHING TAKES
TO WATER LIKE
STANDARD HORIZON**



Figure 2: The GX1400G features an oversized full dot matrix display and an E20 menu system for easy operation.



***BUILT-IN INTEGRATED 66 CHANNEL
GPS RECEIVER (GX1400GPS)
THE GPS DATA CAN BE USED FOR
DSC CALLING, POSITION SHARING & MORE***

STANDARD HORIZON
Nothing takes to water like Standard Horizon

**NOTHING TAKES
TO WATER LIKE
STANDARD HORIZON**



Figure 3: The GX1400G includes a built-in 66-channel GPS receiver for DSC calling and position sharing.



Figure 4: The IPX8 submersible construction ensures the radio can withstand water exposure.

SETUP AND INSTALLATION

1. Unpacking and Inspection

Carefully remove all components from the packaging. Verify that all items listed in the packing list are present and undamaged. If any items are missing or damaged, contact your dealer immediately.

2. Mounting the Radio

The GX1400G can be flush-mounted or bracket-mounted. Choose a location that is dry, well-ventilated, and provides easy access to controls and connections. Ensure the mounting surface is strong enough to support the radio's weight.

- **Bracket Mounting:** Use the supplied mounting bracket and hardware. Secure the bracket to the desired location, then attach the radio to the bracket using the provided knobs.
- **Flush Mounting:** A flush mount kit (optional) is required. Cut an opening in the mounting surface according to the template provided with the kit. Insert the radio and secure it using the flush mount hardware.

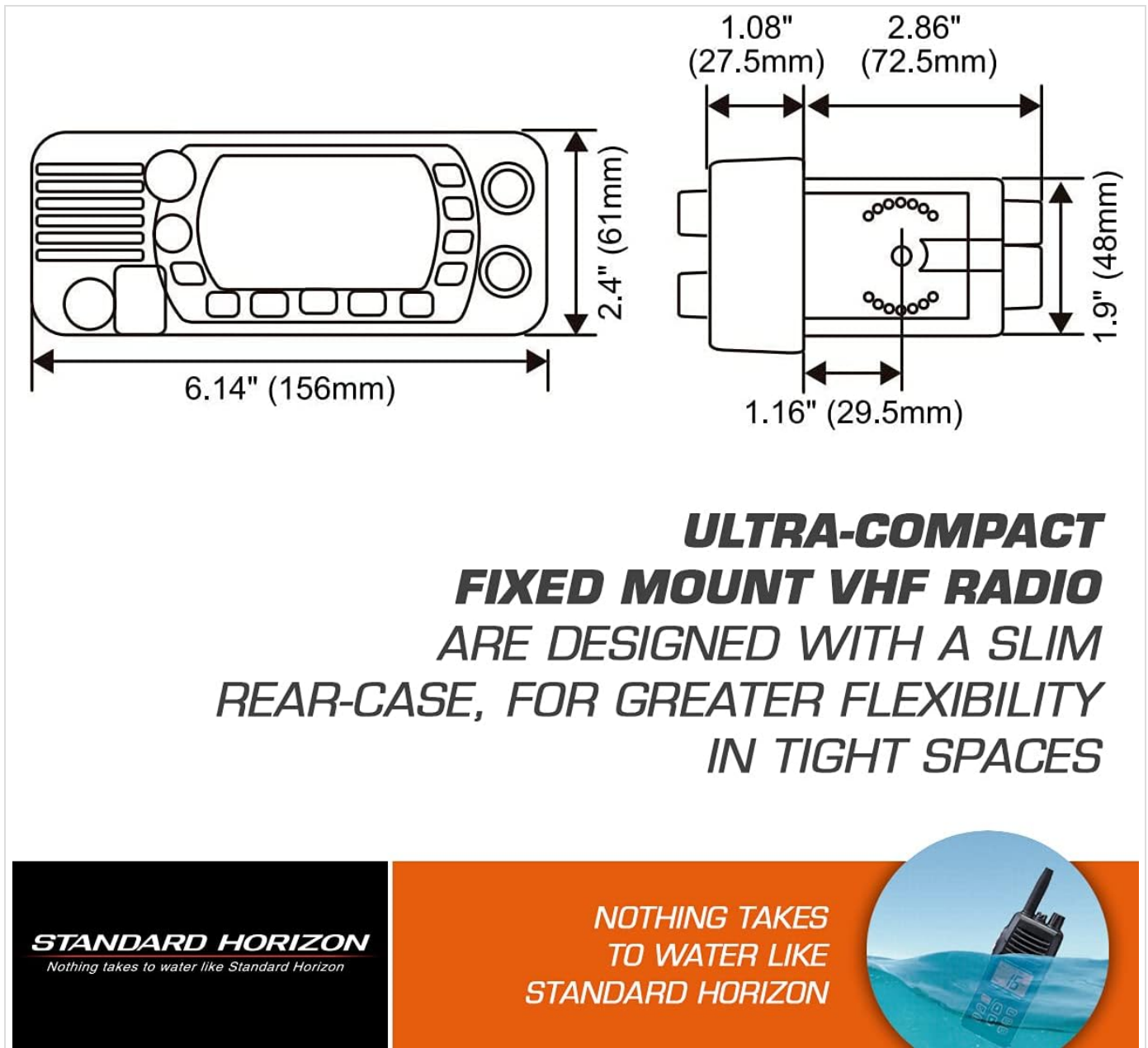


Figure 5: Dimensions of the GX1400G, illustrating its compact size for flexible installation.

3. Electrical Connections

Connect the radio to a 12V DC power source. Ensure proper polarity (red wire to positive, black wire to negative). Connect the VHF antenna to the antenna connector on the rear of the radio. For optimal GPS performance, ensure the radio has a clear view of the sky.

- **Power Connection:** The radio requires a 12V DC power supply. Connect the red wire to the positive (+) terminal and the black wire to the negative (-) terminal of your boat's power system.
- **Antenna Connection:** Connect a marine VHF antenna to the SO-239 connector on the rear panel. Ensure the connection is watertight.
- **External Speaker (Optional):** An external speaker can be connected to the 3.5mm jack on the rear panel for enhanced audio.

OPERATING INSTRUCTIONS

1. Power On/Off

Press and hold the **POWER** button (red button) to turn the radio on or off. The display will illuminate upon power-on.



Figure 6: Power button (red) and the spring-loaded DISTRESS button.

2. Volume and Squelch Adjustment

- **Volume:** Rotate the **VOL** knob clockwise to increase volume, counter-clockwise to decrease.
- **Squelch:** Rotate the **SQL** knob clockwise until the background noise disappears. This sets the receiver sensitivity.



Figure 7: Volume (VOL) and Squelch (SQL) control knobs.

3. Channel Selection

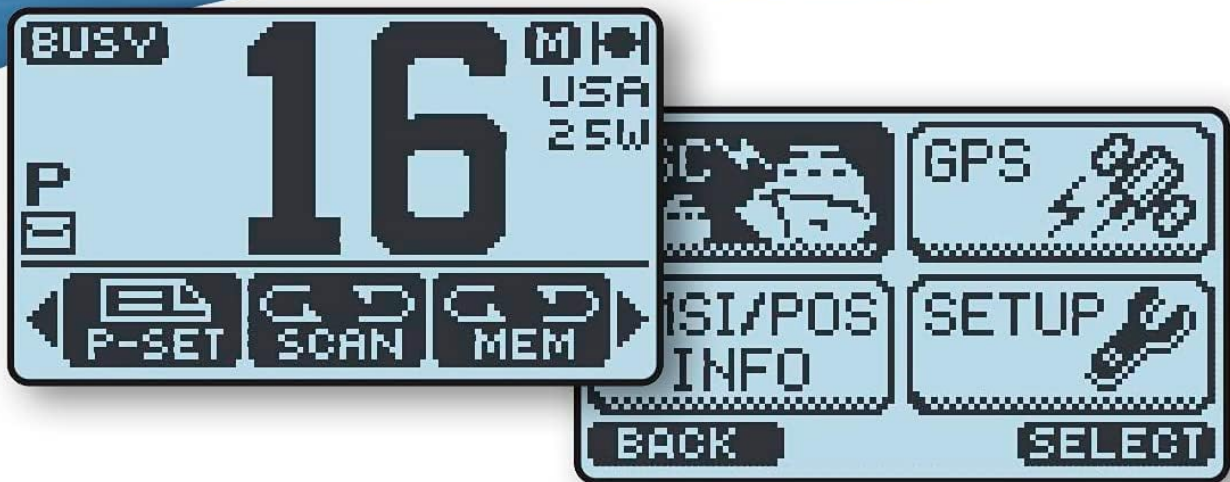
Use the **UP/DOWN** arrow buttons on the radio or microphone to change channels. Press the **16/S** button for instant access to Channel 16 (Distress) or Channel 9 (Calling).

OVERSIZED FULL-DOT MATRIX DISPLAY
WIDE AND BOLD INFORMATION DISPLAY

E20 ICON / MENU SYSTEM

BUSY LED INDICATOR

GLOWS GREEN WHEN SIGNAL IS RECEIVED



STANDARD HORIZON
Nothing takes to water like Standard Horizon

**NOTHING TAKES
TO WATER LIKE
STANDARD HORIZON**



Figure 8: The radio display showing the selected channel, which can be changed using arrow buttons.

4. Digital Selective Calling (DSC)

The GX1400G features Class D DSC capabilities. To use DSC, you must obtain a Maritime Mobile Service Identity (MMSI) number and program it into the radio. Refer to your local telecommunications authority for MMSI registration.

- **Distress Call:** Lift the red cover and press and hold the **DISTRESS** button for 3 seconds to send an emergency distress call with your vessel's position.
- **Individual Call:** Use the menu system to initiate an individual call to another vessel's MMSI.
- **Position Request/Report:** Request or send your vessel's position to other DSC-equipped vessels.



Figure 9: The red spring-loaded DISTRESS button for emergency calls.

MAINTENANCE

Regular maintenance ensures the longevity and optimal performance of your GX1400G radio.

- **Cleaning:** Wipe the radio and microphone with a soft, damp cloth. Do not use abrasive cleaners or solvents.
- **Connections:** Periodically check all electrical and antenna connections for corrosion or looseness. Ensure watertight seals are intact.
- **Antenna:** Inspect your VHF antenna for damage. A damaged antenna can significantly reduce transmission and reception range.

IPX8 SUBMERSIBLE CONSTRUCTION
WATER RESISTANT RATING
5FT/1.5M FOR 30 MIN.

STANDARD HORIZON
Nothing takes to water like Standard Horizon

NOTHING TAKES TO WATER LIKE STANDARD HORIZON

Figure 10: The radio's waterproof design contributes to its low maintenance requirements in marine environments.

TROUBLESHOOTING

Problem	Possible Cause	Solution
No Power	Loose power connection, blown fuse, dead battery.	Check power cables, inspect fuse, verify battery charge.
No Reception/Poor Audio	Squelch set too high, antenna issue, low volume.	Adjust squelch, check antenna connection/condition, increase volume.
Cannot Transmit	Antenna issue, microphone fault, power output setting.	Check antenna, ensure microphone is connected, verify power setting (25W/1W).
GPS Not Acquiring Position	Obstructed view of sky, internal GPS fault.	Relocate radio to an area with clear sky view, contact support if problem persists.



Figure 11: Refer to this table for common troubleshooting solutions.

SPECIFICATIONS

Model Name	GX1400G
Brand	STANDARD HORIZON
Frequency Range	156-162 MHz
Number of Channels	66 (GPS)
Output Power	25W / 1W (selectable)
Voltage	13.8 Volts DC
Water Resistance Level	IPX8 (Submersible 1.5m for 30 min)
Item Dimensions (LxWxH)	10 x 7.5 x 4 inches (approximate)
Item Weight	2.8 Pounds
Color	White
Material	Plastic

WARRANTY INFORMATION

The Standard Horizon Eclipse Series GX1400G VHF Radio is covered by a **3-year waterproof warranty**. This warranty covers defects in materials and workmanship under normal use. For specific terms and conditions, please refer to the warranty card included with your product or visit the official Standard Horizon website.

Note: The warranty typically covers water damage, which is a significant benefit for marine electronics.

SUPPORT AND CONTACT

For technical assistance, service, or further information regarding your Standard Horizon Eclipse Series GX1400G VHF Radio, please contact Standard Horizon customer support.

- **Website:** Visit the official Standard Horizon website for FAQs, software updates, and additional resources.
- **Phone:** Refer to the contact information provided in your product packaging or on the official website.
- **MMSI Registration:** For MMSI registration, contact your national telecommunications authority (e.g., FCC in the USA).