

[Manuals.plus](#) /

› [Ximimark](#) /

› Ximimark 3.5mm Audio Video Connector (4-Pack) Instruction Manual

Ximimark LY244

Ximimark 3.5mm Audio Video Connector (4-Pack) Instruction Manual

Brand: Ximimark | **Model:** LY244

INTRODUCTION

This manual provides detailed instructions for the Ximimark 3.5mm Audio Video Connector. These connectors are designed for various audio and video applications, offering a reliable connection solution. Each package contains 4 units.

Please review all instructions carefully before installation and use to ensure proper function and safety.

KEY FEATURES

- **Connector Body Material:** Plastic
- **Connector Mounting:** Chassis
- **Contact Plating:** Gold over Nickel
- **Contact Termination:** Solder
- **Rated Load:** DC 12V 1A

SETUP AND INSTALLATION

The Ximimark 3.5mm Audio Video Connectors are designed for chassis mounting and require soldering for contact termination. Follow these guidelines for proper installation:

1. Component Overview

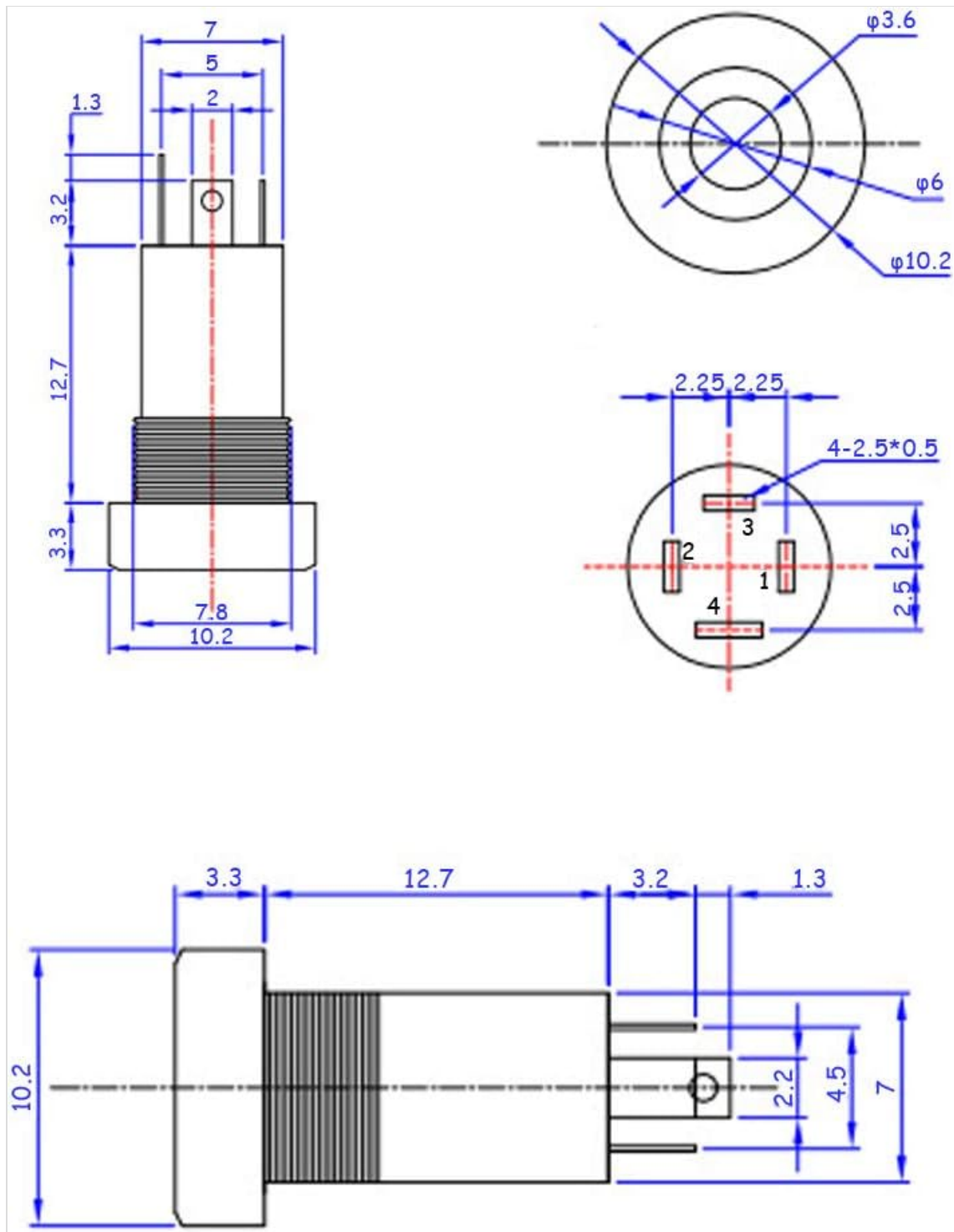


Image: An overview of the four Ximimark 3.5mm audio video connectors included in the package. Each connector consists of a black plastic body, a gold-plated inner socket, and a silver-colored nut for chassis mounting.

2. Dimensions and Mounting

Refer to the provided technical drawing for precise dimensions to ensure correct panel hole size and material thickness compatibility.

Technical requirement

Insertion force: 2.94-29.4N (0.3-3.0kg)

Pull-out force: 2.94-29.4N (0.3-3.0kg)

Contact resistance: <50m

Insulation Resistance: > 100M DC 500V

Voltage withstand: AC 500V 1 min no arc

Life: 5000 10-20 times/min

Rated load: DC 12V 1A

Applicable Temperature Range: - 25-85 C



Image: A detailed technical drawing showing the dimensions of the 3.5mm audio connector, including the barrel length, thread length, and pin layout. The drawing indicates a thread length of approximately 4mm and a total diameter of 10.2mm for the mounting nut.

The connector is designed for chassis mounting with a nut. The available thread length for mounting is approximately 2.5-3mm. If your panel material is thicker than this, the nut may not fully engage the threads, requiring additional securing methods like adhesive.

3. Soldering Connections

The connectors feature solder terminals for electrical connections. Ensure proper soldering techniques are used to create secure and reliable contacts. The pin layout is typically for stereo audio (Tip, Ring, Sleeve), but it is recommended to verify continuity with a multimeter before final assembly, as markings may not always be present or clear.



Image: A close-up view of a hand holding two Ximimark 3.5mm audio connectors, highlighting the solder pins at the rear of the connector. The silver nuts are visible at the base of the threaded barrel.

OPERATING INSTRUCTIONS

Once installed, the Ximimark 3.5mm Audio Video Connector functions as a standard audio jack. Insert a compatible 3.5mm audio plug firmly into the socket until it clicks into place. Ensure the plug is fully seated for optimal audio and video signal transmission.



Image: A 3.5mm audio plug being inserted into a panel-mounted audio jack, demonstrating the typical use of the connector. The image also shows two Ximimark connectors in the foreground.

MAINTENANCE

These connectors require minimal maintenance. Keep the socket free from dust and debris. If the connection becomes loose over time, inspect the internal contacts for wear or damage. Avoid excessive force when inserting or removing plugs to prevent damage to the internal mechanism.

TROUBLESHOOTING

If you experience issues with the connector, consider the following:

- **Tight Plug Insertion:** Some connectors may have very tight tolerances, making initial plug insertion difficult. To alleviate this, gently insert a slightly smaller tool (like a small screwdriver) into the jack and carefully wiggle it to slightly loosen the internal contacts. Test the connection with an audio plug afterward to ensure functionality.
- **Short Thread Length:** The threaded portion for mounting is approximately 2.5-3mm. If your mounting panel is thicker, the nut may not secure the connector adequately. In such cases, consider using a strong adhesive to reinforce the mounting.
- **Plug Getting Stuck:** If a plug's tip detaches and gets stuck inside the jack, it may render the jack

unusable. This can occur with plugs of poor quality or if excessive force is used.

- **Skewed Insertion:** If the plug does not insert straight, it may indicate a manufacturing tolerance issue. While a slight skew might not affect functionality, repeated skewed insertions can damage the internal contacts.

Product Overview Video

Your browser does not support the video tag.

Video: This video provides a general overview of the Ximimark 3.5mm Audio Cable connectors, highlighting their universal device compatibility and durable construction.

SPECIFICATIONS

Feature	Detail
Brand	Ximimark
Model Number	LY244
Connector Type	Auxiliary (3.5mm Audio/Video)
Connector Body Material	Plastic
Connector Mounting	Chassis
Contact Plating	Gold over Nickel
Contact Termination	Solder
Rated Load	DC 12V 1A
Package Dimensions	4.88 x 3.11 x 0.43 inches
Item Weight	0.352 ounces (0.01 Kilograms)
Date First Available	December 21, 2018

Note: Manual measurements may have small errors. Real colors may slightly differ from pictures due to monitor settings and light brightness.

WARRANTY AND SUPPORT

For any questions, concerns, or support regarding your Ximimark 3.5mm Audio Video Connectors, please contact the seller or manufacturer directly. Specific warranty information may be available through your point of purchase.