



[Manuals.plus](#) /

› [Bush Home](#) /

› Bush Home Somerset 72W L-Shaped Sit to Stand Desk with Hutch Instruction Manual

## Bush Home SET015HC

# Bush Home Somerset 72W L-Shaped Sit to Stand Desk with Hutch Instruction Manual

## INTRODUCTION

---

This manual provides comprehensive instructions for the assembly, operation, and maintenance of your Bush Home Somerset 72W L-Shaped Sit to Stand Desk with Hutch. Please read all instructions carefully before assembly and use to ensure safe and proper functionality. Keep this manual for future reference.

The Bush Home Somerset 72W L-Shaped Sit to Stand Desk with Hutch offers a versatile workspace with an adjustable height return, ample storage, and a durable design. It is designed to support your daily work routine and enhance your home office environment.

## SAFETY INFORMATION

---

### Important Safety Precautions:

- Always follow the assembly instructions carefully.
- Ensure the desk is properly anchored to the wall or floor to prevent tipping.
- Do not exceed the maximum weight recommendation of 200 pounds on the desktop.
- Keep cords and cables organized using the wire management grommets to prevent tripping hazards.
- Always use the Lift-n-Lock system to adjust the desk height and never force the desktop to a specific height.
- This product is intended for residential use.

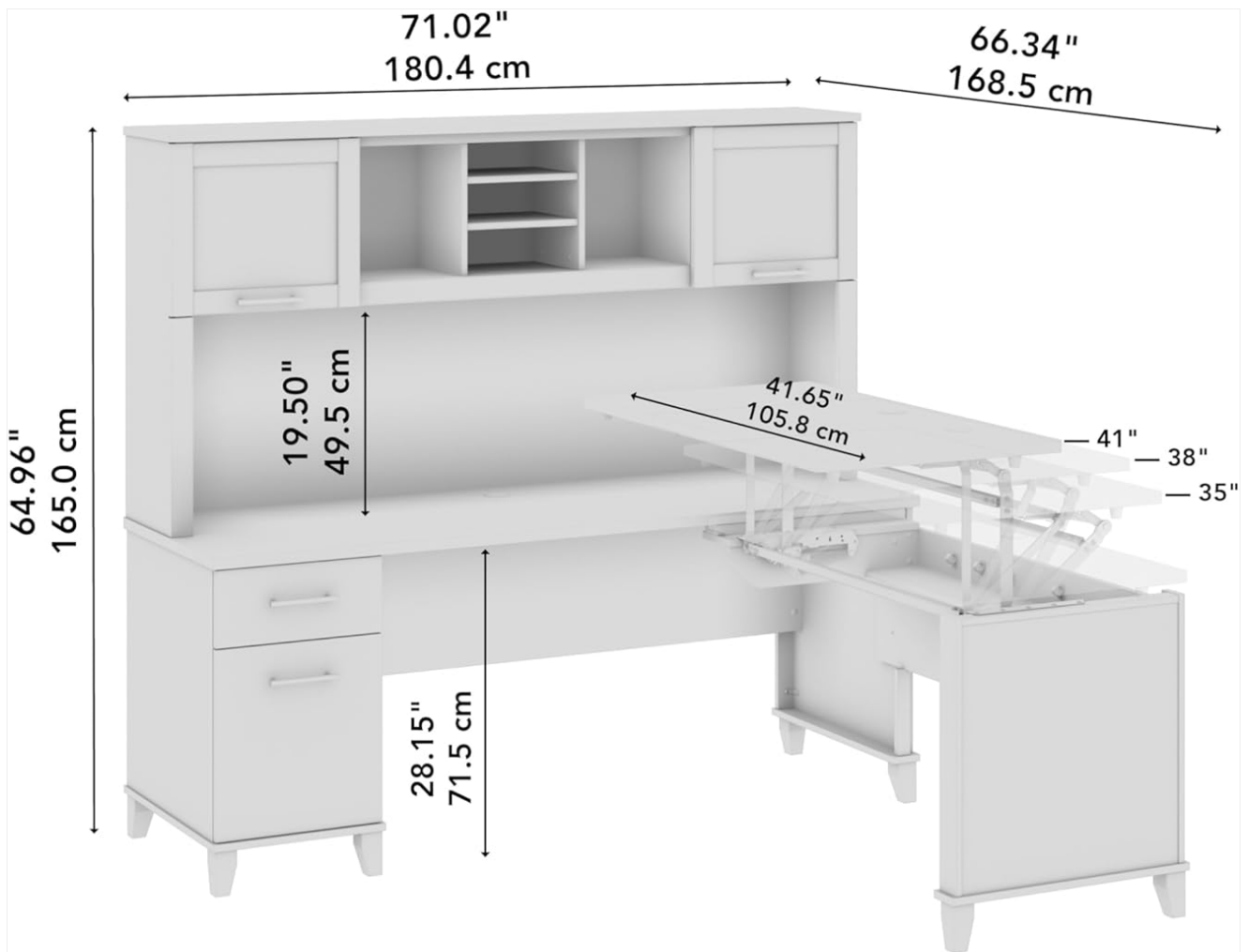
## PACKAGE CONTENTS

---

Your Bush Home Somerset desk system is delivered in multiple boxes. Verify all components are present before beginning assembly. Refer to the included parts list in your physical assembly guide.



Figure 1: Fully assembled Bush Home Somerset L-Shaped Sit to Stand Desk with Hutch.



#### Box Drawer Dimensions

H 5.45" (13.8 cm) x W 12.20" (31.0 cm) x D 15.79" (40.1 cm)

#### File Drawer Dimensions

H 12.56" (31.9 cm) x W 12.20" (31.0 cm) x D 15.79" (40.1 cm)



Delivered directly to your door in **3** Boxes

Figure 2: Dimensional overview of the desk and hutch components, including box and file drawer dimensions.

## SETUP AND ASSEMBLY

Assembly of the Bush Home Somerset L-Shaped Sit to Stand Desk with Hutch requires careful attention to the provided instructions. It is recommended that two people assemble this product.

### Tools Required:

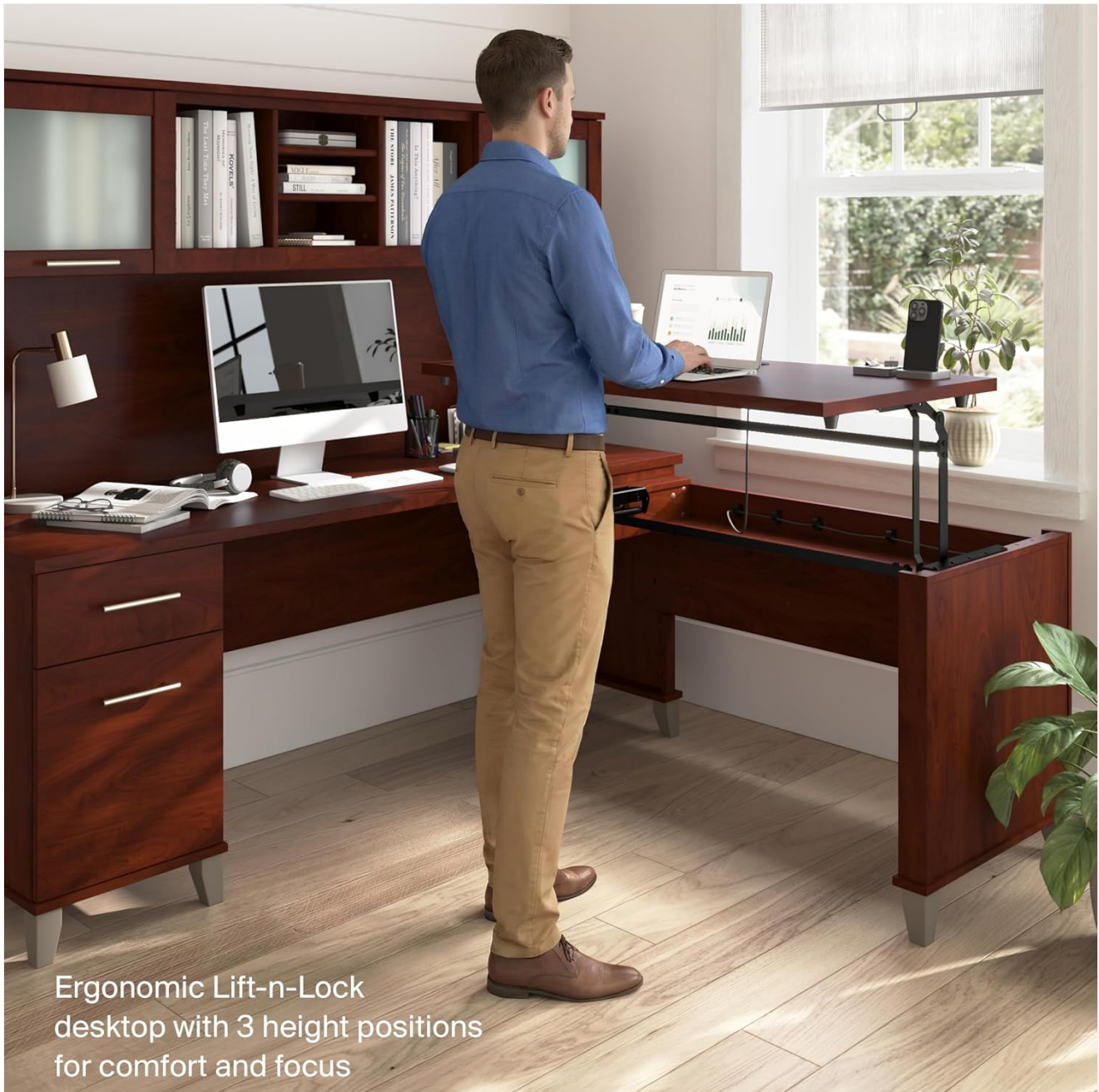
- Hammer
- Screwdriver

### Assembly Steps:

1. Unpack all components and verify against the parts list.

2. Assemble the main desk unit according to the manufacturer's detailed instructions.
3. Attach the 42W Sit to Stand Return to either the left or right side of the 72W Office Desk with Drawers, as per your preferred L-shaped configuration.
4. Install the file drawer on full-extension ball-bearing slides. Ensure smooth operation.
5. Install the box drawer for supplies.
6. Mount the hutch to the desktop. Ensure proper alignment and secure fastening.
7. Utilize the 4 optional wire management punch-outs in the hutch for cable organization.
8. Ensure all connections are tight and the desk is stable before use.

**Note:** The product requires assembly. Follow the assembly instructions carefully. Ensure the desk is properly anchored to the wall or floor to prevent tipping.



Ergonomic Lift-n-Lock  
desktop with 3 height positions  
for comfort and focus

Figure 3: Ergonomic Lift-n-Lock desktop in standing position.

## OPERATING INSTRUCTIONS

---

### Adjusting the Sit-to-Stand Desktop:

The Lift-n-Lock desktop allows for easy height adjustment to promote ergonomic comfort.

1. To raise the desktop: Gently lift the desktop from its seated position. The Lift-n-Lock mechanism will engage at three preset standing height positions: 35", 38", and 41".
2. To lower the desktop: Lift the desktop slightly to disengage the lock, then gently guide it down to the seated height.
3. Ensure the desktop is securely locked into position before placing items on it or leaning on it.

**Caution:** Do not exceed 20 lbs on the sit-to-stand return desk. The main desktop supports up to 200 lbs.

### Using Drawers and Hutch:

- **File Drawer:** Designed to hold legal and letter-size documents. Opens on full-extension ball-bearing slides for easy access. Maximum weight capacity: 30 lbs.
- **Box Drawer:** Ideal for storing office supplies and utensils. Maximum weight capacity: 15 lbs.
- **Hutch Storage:** Features shelves, cubbies, and two frosted glass doors for organized storage.
  - Hutch cabinet shelves: Hold up to 36 lbs.
  - Cubbies: Hold up to 23 lbs. each.
  - Center shelves: Hold up to 8 lbs. each.
- Use the integrated wire management grommets and punch-outs to keep cables tidy and out of sight.



File drawer for legal and letter files, box drawer for accessories and supplies

Figure 4: Hutch with shelves and cubbies for organized storage.



Figure 5: File drawer for legal and letter files, and box drawer for accessories.

Your browser does not support the video tag.

Video 1: Official Bush Home Somerset Collection overview, demonstrating features and design.

## MAINTENANCE

---

To maintain the appearance and longevity of your Bush Home Somerset desk:

- **Cleaning:** Wipe surfaces with a damp cloth. Avoid harsh chemicals or abrasive cleaners that may damage the finish.
- **Inspection:** Periodically check all fasteners and connections to ensure they remain tight. Retighten if necessary.
- **Weight Distribution:** Distribute weight evenly across the desktop and shelves to prevent stress on the structure.
- **Spills:** Clean up spills immediately to prevent staining or damage to the engineered wood.

## TROUBLESHOOTING

---

This section addresses common issues you might encounter with your desk.

### Issue: Desk feels wobbly after assembly.

- **Solution:** Ensure all screws and fasteners are fully tightened. Check that the desk is on a level surface. If necessary, adjust any leveling feet. Verify that the desk is properly anchored if applicable.

### Issue: Sit-to-Stand desktop is difficult to adjust or does not lock.

- **Solution:** Ensure no objects are obstructing the lifting mechanism. Verify that the weight on the sit-to-stand return does not exceed 20 lbs. Do not force the mechanism; gently lift and lower to engage the Lift-n-Lock system.

### Issue: Drawers do not slide smoothly.

- **Solution:** Check for any obstructions in the drawer slides. Ensure the drawer is properly aligned on the ball-bearing slides. Verify that the drawer is not overloaded beyond its weight capacity.

### Issue: Missing or damaged parts during assembly.

- **Solution:** Refer to the "Warranty and Support" section for information on contacting Bush Home customer service for replacement parts.

## SPECIFICATIONS

---

Feature	Detail
Brand	Bush Home
Model Number	SET015HC
Model Name	Somerset
Shape	L-Shape
Product Dimensions (D x W x H)	66.34"D x 71.02"W x 64.96"H
Color	Hansen Cherry
Material Type	Engineered Wood (Top), Metal (Base)
Special Feature	Adjustable, Ergonomic Sit-to-Stand Return
Sit-to-Stand Height Positions	3 (35", 38", 41" from seated height)
Main Desktop Weight Capacity	200 lbs
Sit-to-Stand Return Weight Capacity	20 lbs
Number of Drawers	2 (1 File, 1 Box)
File Drawer Weight Capacity	30 lbs
Box Drawer Weight Capacity	15 lbs

Feature	Detail
Hutch Cabinet Shelves Weight Capacity	36 lbs
Hutch Cubbies Weight Capacity	23 lbs each
Hutch Center Shelves Weight Capacity	8 lbs each
Hutch Material	Frosted Glass (doors)
Item Weight	303 Pounds
Assembly Required	Yes (Recommended 2 people)
Certifications	Meets or exceeds ANSI/BIFMA x6.5 standards

## WARRANTY AND SUPPORT

---

### Manufacturer's Warranty:

The Bush Home Somerset 72W L-Shaped Sit to Stand Desk with Hutch is backed by the Bush Home 6 Year Manufacturer's Warranty. This warranty covers defects in materials and workmanship under normal use. Please refer to your purchase documentation or the official Bush Home website for full warranty terms and conditions.

The product is meticulously tested to meet or exceed ANSI/BIFMA x6.5 standards for safety and performance.

### Customer Support:

For assistance with assembly, missing parts, or warranty claims, please contact Bush Home customer service directly. Contact information can typically be found on the Bush Home official website or within the packaging materials.

When contacting support, please have your model number (SET015HC) and proof of purchase readily available.