



[Manuals.plus](#) /

› [Liberty Garden](#) /

› Liberty Basics 510 Wall Mount Hose Reel Instruction Manual

## Liberty Garden 510

# Liberty Basics 510 Wall Mount Hose Reel Instruction Manual

Model: 510 | Brand: Liberty Garden

### PRODUCT OVERVIEW

The Liberty Basics 510 Wall Mount Hose Reel is designed to keep your garden hose organized and easily accessible. This side-winding hose reel can hold up to 100 feet of 5/8-inch garden hose. Its durable poly resin construction ensures longevity and resistance to rust. The keyhole design allows for straightforward installation and convenient removal for winter storage.



Image: The Liberty Basics 510 Wall Mount Hose Reel in Bronze, designed for wall mounting.

## SETUP AND INSTALLATION

Some assembly is required for the Liberty Basics 510 Wall Mount Hose Reel. Hardware, including wood mounting screws and anchors, is included for installation.

### Installation Steps:

1. **Mounting the Plate:** Securely attach the mounting plate to a suitable surface such as brick, stucco, or wood-studded walls using the provided hardware. Ensure the plate is level and firmly attached to support the weight of the hose reel and a full hose.
2. **Attaching the Hose Reel:** Once the plate is mounted, align the hose reel with the mounting mechanism on the plate. Push the reel onto the mount until it snaps securely into place.
3. **Connecting the Leader Hose:** Connect the included 6-foot leader hose to the mounting hub. This patented design helps prevent the hose from kinking, ensuring free water flow from the tap to your main garden hose.
4. **Connecting to Water Supply:** Connect the other end of the leader hose to your outdoor water spigot.

5. **Attaching Garden Hose:** Connect your garden hose to the reel's inlet.

Your browser does not support the video tag.

Video: Official demonstration of the Liberty Basics Wall Mount Side Winding Hose Reel installation and features.



Image: A person using a drill to secure the mounting plate of the hose reel to a wall.

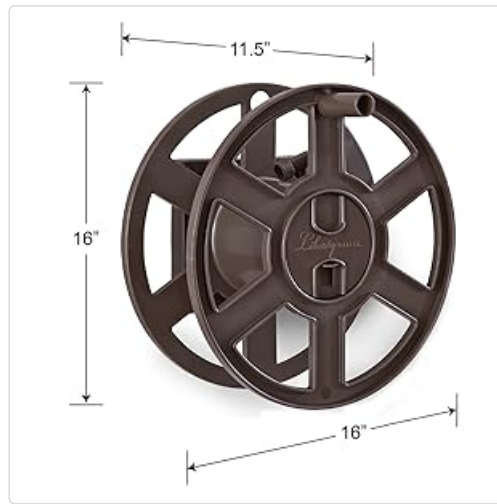


Image: A close-up view of the side-winding mechanism on the hose reel, highlighting its design.

## OPERATING INSTRUCTIONS

The Liberty Basics 510 Wall Mount Hose Reel features a side-winding mechanism for easy hose management.

### Winding the Hose:

- Turn the crank handle located on the side of the reel in a clockwise direction to neatly wind the garden hose onto the reel.
- Guide the hose evenly across the reel as you crank to prevent tangling and ensure maximum capacity.

### Unwinding the Hose:

- Pull the garden hose directly from the reel to unwind it. The reel is designed to allow smooth unwinding.

## MAINTENANCE

The Liberty Basics 510 Wall Mount Hose Reel is constructed from durable poly resin, which is resistant to rust and designed for weather durability. Minimal maintenance is required.

- **Cleaning:** Periodically wipe down the hose reel with a damp cloth to remove dirt and debris.
- **Winter Storage:** The keyhole design allows for easy removal of the reel from its wall mount for winter storage. Disconnect the leader hose and main garden hose, drain any remaining water, and store the reel in a protected area during freezing temperatures to prevent damage.
- **Hose Care:** Ensure your garden hose is properly drained before winding it onto the reel for storage, especially before winter.

## TROUBLESHOOTING

Problem	Possible Cause	Solution
---------	----------------	----------

Problem	Possible Cause	Solution
Water leakage at connections	Loose connections, worn washers, or damaged hose/fittings.	Tighten all connections. Check and replace any worn rubber washers. Inspect hoses and fittings for cracks or damage and replace if necessary.
Hose kinks or tangles during winding/unwinding	Improper winding technique, or hose is not fully extended before winding.	Ensure the hose is fully extended and free of kinks before winding. Guide the hose evenly across the reel. The patented leader hose connection is designed to prevent kinking at the inlet.
Difficulty turning the crank	Hose is jammed, or internal mechanism is obstructed.	Check for any obstructions or kinks in the hose that might be preventing smooth operation. Ensure the reel is properly seated on its mount.

## SPECIFICATIONS

- **Model Number:** 510
- **Brand:** Liberty Garden
- **Material:** Durable Poly Resin (Molded Plastic)
- **Color:** Bronze
- **Hose Capacity:** Up to 100 feet of 5/8-inch garden hose
- **Item Dimensions (L x W x H):** 11.5 x 16 x 16.14 inches
- **Item Weight:** 3.45 Pounds
- **Installation Method:** Wall Mount (Keyhole Design)
- **Operation Mode:** Manual (Side Winding)
- **Included Components:** Hose reel, 6-foot leader hose, wood mounting screws and anchors

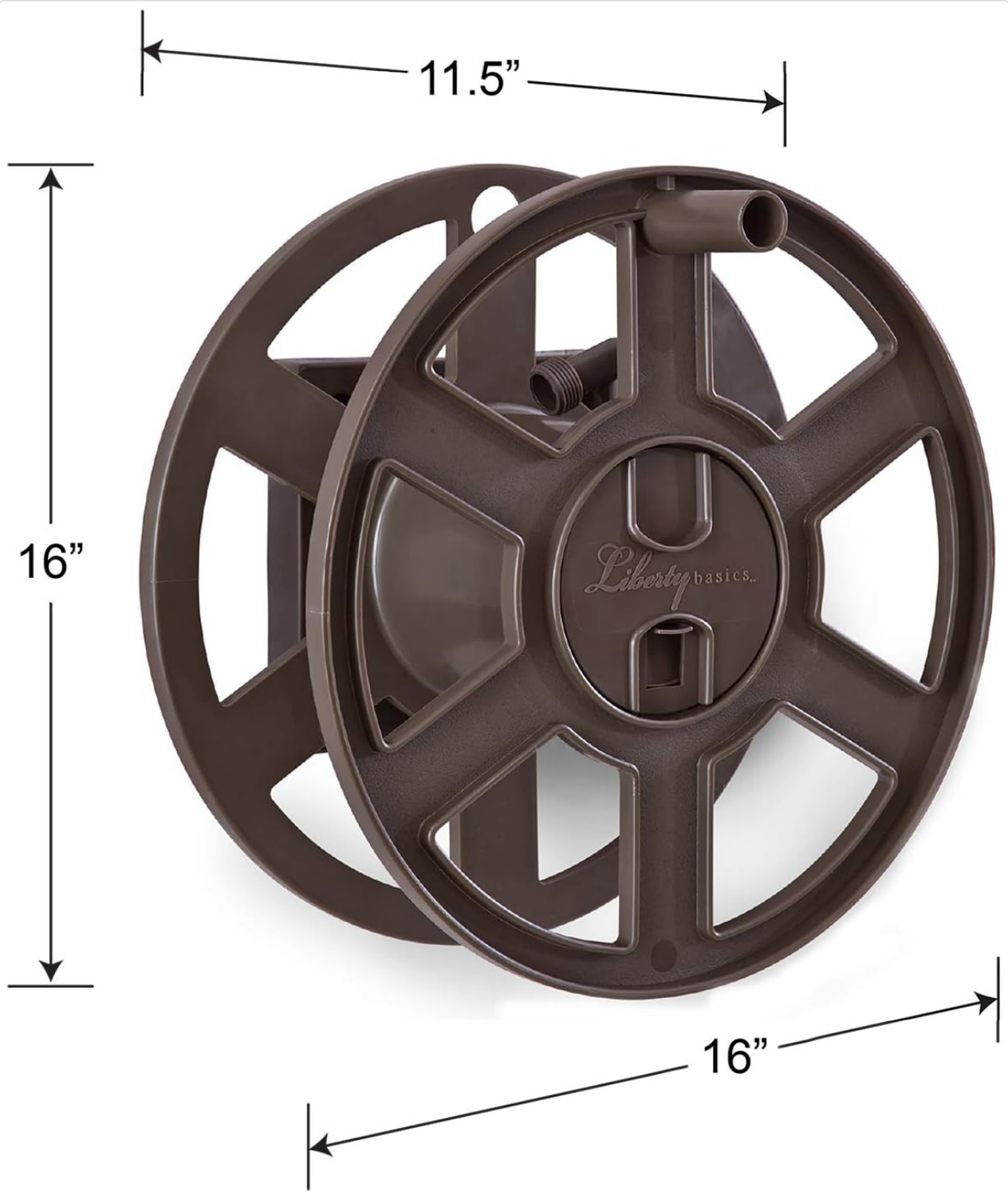


Image: Diagram showing the dimensions of the Liberty Basics 510 Wall Mount Hose Reel.

## WARRANTY AND SUPPORT

- **Manufacturer Warranty:** One Year Limited Warranty. Please refer to the warranty card included with your product for full details and terms.
- **Customer Support:** For assistance with assembly, operation, or troubleshooting, please visit the official Liberty Garden Products website or contact their customer service department.

