

VEVOR TDAC110V-2.2KW-D-10L

VEVOR 110V 10 Quart Single Acting Hydraulic Power Unit Instruction Manual

[Overview](#) [Specifications](#) [Setup](#) [Operation](#) [Maintenance](#) [Troubleshooting](#) [Warranty & Support](#)

1. SAFETY INSTRUCTIONS

Read and understand all safety warnings and instructions before operating this hydraulic power unit. Failure to follow these instructions may result in serious injury or property damage.

- **Electrical Safety:** Ensure the power supply matches the unit's requirements (110V AC). Always disconnect power before performing any maintenance or repairs.
- **Hydraulic Fluid:** Use only recommended hydraulic fluid. Avoid skin contact and wear appropriate personal protective equipment (PPE). Check fluid levels regularly.
- **Pressure Hazards:** Hydraulic systems operate under high pressure. Never attempt to disconnect hydraulic lines or components while the system is pressurized.
- **Installation:** Mount the unit securely on a stable surface. Ensure all connections are tight and leak-free.
- **Operation:** Do not overload the hydraulic system beyond its rated capacity. Keep hands and clothing clear of moving parts.
- **Maintenance:** Only qualified personnel should perform maintenance and repairs. Use genuine replacement parts.
- **Environment:** Operate the unit in a well-ventilated area. Keep the work area clean and free of obstructions.

2. PRODUCT OVERVIEW

The VEVOR 110V 10 Quart Single Acting Hydraulic Power Unit is designed for various lifting applications, including car lifts, dump trailers, and other hydraulic machinery. This unit provides reliable power for lifting operations and utilizes gravity for lowering.

30M+
Users

50+
Countries

200+
Warehouses Worldwide

Figure 2.1: VEVOR 10 Quart Single Acting Hydraulic Power Unit in an automotive shop setting.

Key Features:

- **Motor:** 110V, 2.2kW motor for efficient operation.
- **Reservoir:** 10-Liter (10 Quart) capacity.
- **Pump Type:** Single-acting for power-up and gravity-down functionality.
- **Displacement:** Minimum 2.1 CC/Rev pump displacement.
- **Rapid Start:** Designed for quick startup and oil output.
- **Durable Construction:** Sturdy metal oil tank for longevity.
- **Safety:** Equipped with a relief valve for safer operation.

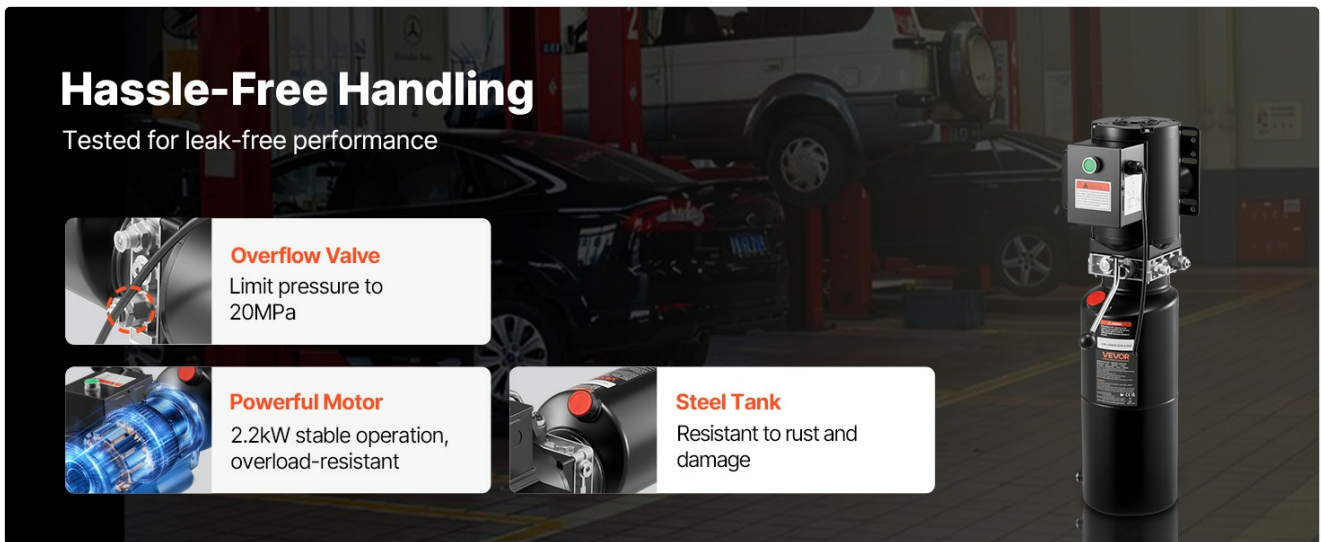


Figure 2.2: Overview of key features including overflow valve, powerful motor, and steel tank construction.

3. SPECIFICATIONS

The following table details the technical specifications for the VEVOR 110V 10 Quart Single Acting Hydraulic Power Unit.

Feature	Specification
Item Model Number	TDAC110V-2.2KW-D-10L

Feature	Specification
Net Weight	48.5 lbs / 22 kg
Product Dimensions	28 x 9.8 x 10.2 inches (710 x 250 x 260 mm)
Voltage	AC 110V
Reservoir Capacity	10 Quart / 2.5 Gallons
Power	2.2 kW
Traffic (Pump Displacement)	2.1 mL/r (CC/Rev)
Flow Rate	1.7 GPM
Speed	3400 r/min (RPM)
Max Relief Pressure	3200 psi (20 MPa)
Material	Metal

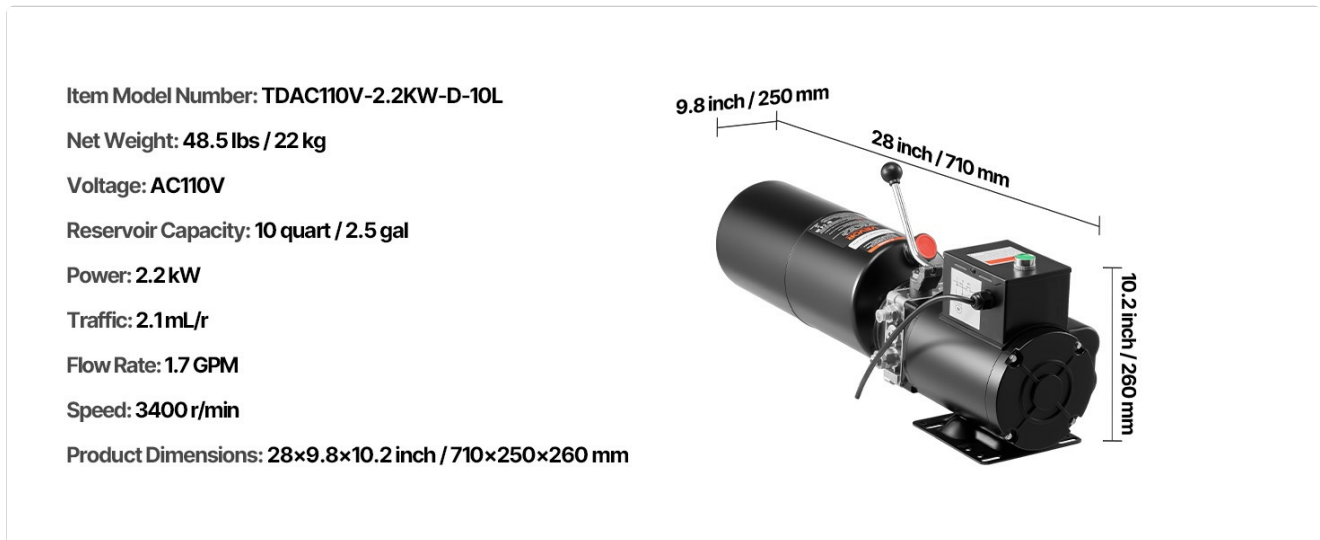


Figure 3.1: Product dimensions and detailed specifications.

4. SETUP INSTRUCTIONS

Follow these steps for proper installation and initial setup of your hydraulic power unit.

4.1 Unpacking and Inspection

- Carefully remove the unit from its packaging.
- Inspect the unit for any signs of damage during transit. Contact customer support immediately if damage is found.
- Ensure all components listed in the packing list are present.

4.2 Mounting the Unit

- Choose a stable, level surface for mounting the hydraulic power unit.
- Secure the unit using appropriate fasteners to prevent movement during operation.

4.3 Hydraulic Connections

Connect the hydraulic lines from your equipment to the power unit. Ensure all connections are tight to prevent leaks.

- Identify the hydraulic oil inlet and outlet ports on the unit.
- Connect the oil hose from your equipment to the hydraulic oil inlet.
- Use the provided SAE#6 connector (M18x1.5) or a suitable replacement if your equipment requires a different interface.

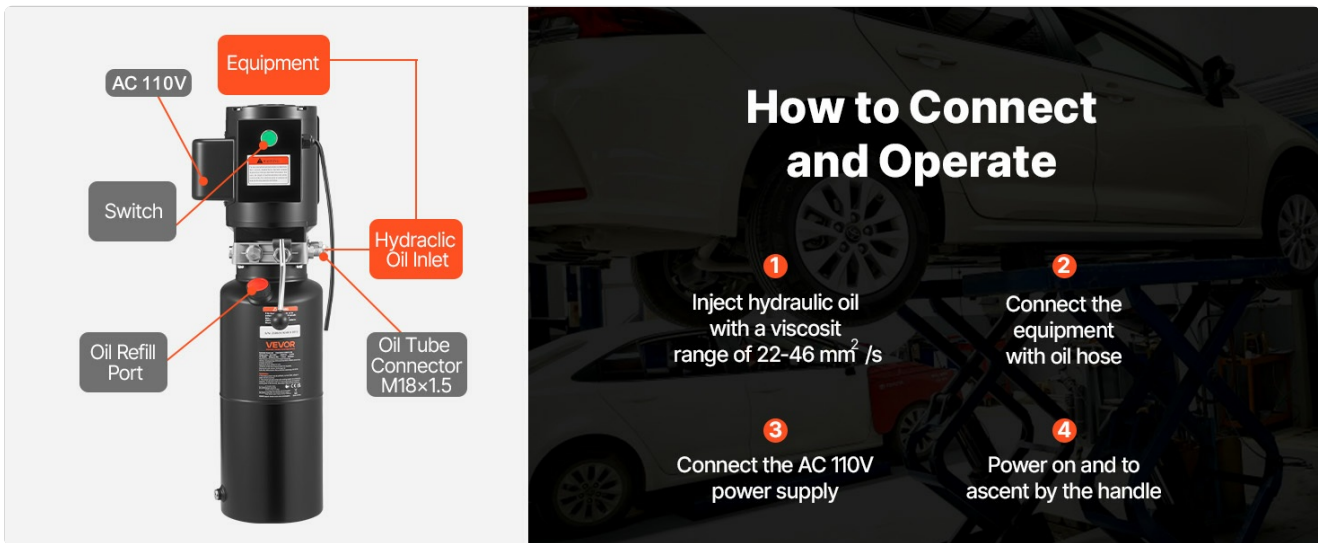


Figure 4.1: Connection points for the hydraulic power unit.

4.4 Electrical Connections

Connect the power unit to a suitable 110V AC power supply.

- Ensure the power supply is off before making any electrical connections.
- Connect the unit's power cable to a grounded 110V AC outlet.
- The unit comes with simple wiring; refer to the included wiring diagram if necessary.

4.5 Filling the Reservoir

- Locate the oil refill port on the reservoir.
- Fill the reservoir with hydraulic oil within the recommended viscosity range of 22-46 mm²/s. Do not overfill.
- Ensure the cap is securely tightened after filling.

5. OPERATING INSTRUCTIONS

This section outlines the basic steps for operating your VEVOR hydraulic power unit.

5.1 Pre-Operation Checks

- Verify all hydraulic connections are secure and free of leaks.
- Check the hydraulic fluid level.
- Ensure the work area is clear of personnel and obstructions.

5.2 Lifting Operation (Power Up)

1. Turn on the main power switch for the hydraulic unit.
2. Activate the lift mechanism on your equipment (e.g., press the "Up" button or engage the lever). The hydraulic pump will engage, and the equipment will begin to lift.
3. Monitor the lifting process and ensure it operates smoothly.

4. Once the desired height is reached, release the lift control. The unit will maintain pressure.

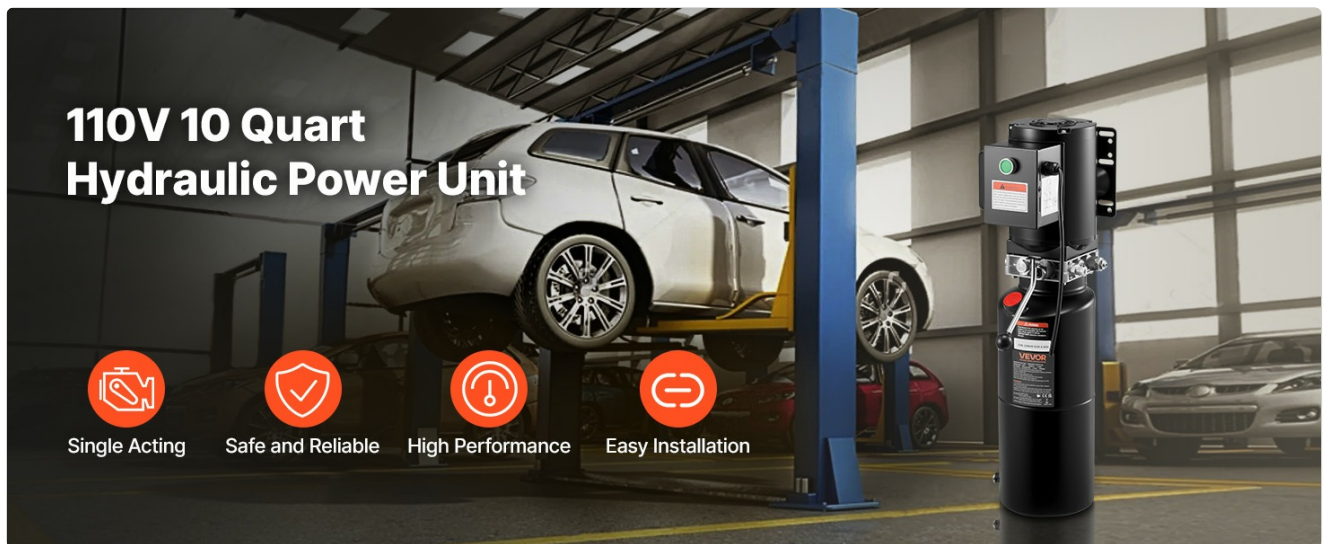
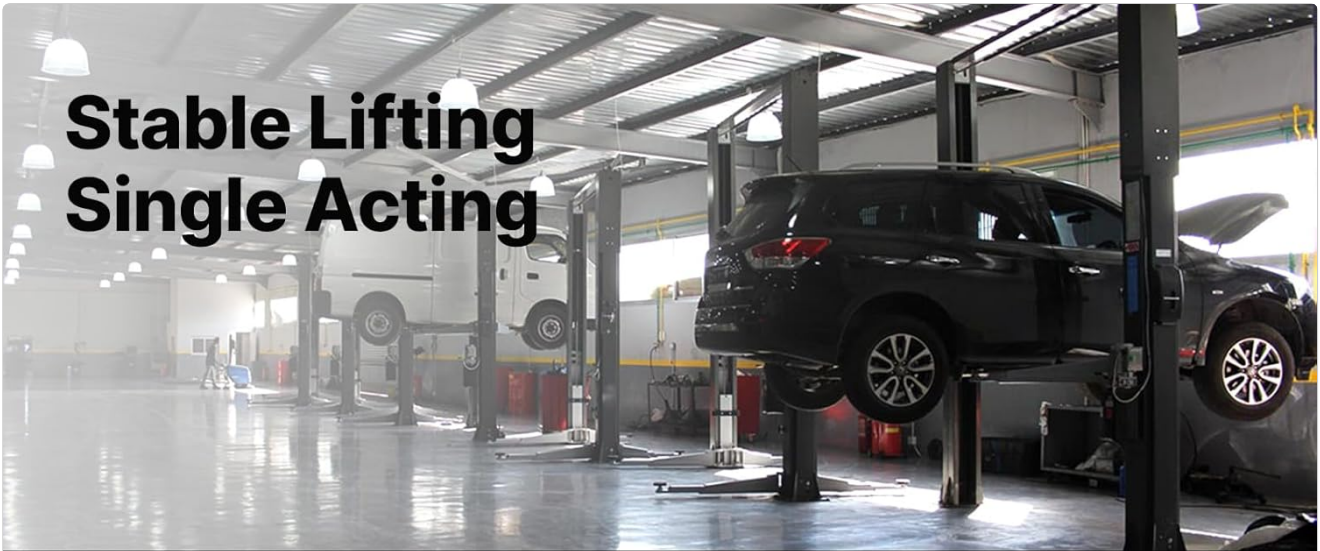


Figure 5.1: Illustration of the unit's lifting capabilities.

5.3 Lowering Operation (Gravity Down)

1. To lower the equipment, engage the lowering control (e.g., pull the lever or press the "Down" button).
2. The equipment will lower due to gravity as hydraulic fluid returns to the reservoir.
3. Control the lowering speed as needed.
4. Once the equipment is fully lowered or at the desired position, release the lowering control.

Stable Lifting Single Acting



Fast Lifting



Gravity Lowering

Figure 5.2: Stable lifting and gravity lowering mechanism.

5.4 Post-Operation

- Turn off the main power switch after use.
- Regularly inspect the unit for any signs of wear or damage.

6. MAINTENANCE

Regular maintenance ensures the longevity and safe operation of your hydraulic power unit.

6.1 Daily Checks

- Inspect for any visible leaks around connections and seals.
- Check the hydraulic fluid level.
- Listen for unusual noises during operation.

6.2 Monthly Checks

- Clean the exterior of the unit to prevent dirt buildup.
- Inspect electrical wiring for any signs of wear or damage.
- Check mounting bolts for tightness.

6.3 Hydraulic Fluid Replacement

- Hydraulic fluid should be replaced periodically, typically annually or as recommended by the fluid manufacturer, depending on usage.
- Drain old fluid completely and dispose of it responsibly.
- Refill with new hydraulic oil of the recommended type and viscosity.

7. TROUBLESHOOTING

This section provides solutions to common issues you might encounter with your hydraulic power unit.

Problem	Possible Cause	Solution
Unit does not start	No power supply, faulty switch, motor issue.	Check power connection, test switch, consult qualified electrician.
Insufficient lifting power	Low hydraulic fluid, air in system, relief valve setting incorrect, pump wear.	Check fluid level and refill, bleed air from system, adjust relief valve (if qualified), inspect pump.
Hydraulic fluid leaks	Loose connections, damaged seals, cracked hose/reservoir.	Tighten connections, replace damaged seals/hoses, repair/replace reservoir.
Unit operates loudly	Low fluid level, air in system, worn pump bearings.	Check fluid level, bleed air from system, inspect pump for wear.
Equipment lowers too quickly/slowly	Flow control valve (if present) misadjusted, internal leak.	Adjust flow control valve, inspect for internal leaks (requires professional service).

If you encounter problems not listed here or if solutions do not resolve the issue, contact VEVOR customer support.

8. WARRANTY & SUPPORT

This VEVOR hydraulic power unit comes with a standard warranty. For specific warranty details, please refer to the documentation provided at the time of purchase or contact VEVOR customer service.

For technical assistance, parts, or warranty claims, please contact VEVOR customer support through their official website or the retailer where the product was purchased. Please have your model number (TDAC110V-2.2KW-D-10L) and purchase information ready when contacting support.

Manufacturer: Mophorn (VEVOR)

Warranty Description: 1 (This typically refers to a 1-year warranty, but please confirm with VEVOR for exact terms.)