

PUTORSEN MAW-1

PUTORSEN MAW-1 Gas Spring Monitor Wall Mount Instruction Manual

Model: MAW-1 | Brand: PUTORSEN

1. INTRODUCTION

This manual provides comprehensive instructions for the safe installation, operation, and maintenance of your PUTORSEN MAW-1 Gas Spring Monitor Wall Mount. This versatile wall mounting solution is designed for PC monitors and small TV screens ranging from 17 to 42 inches, with a weight capacity of up to 12 kg (26.4 lbs). It offers full articulation and integrated cable management to optimize your workspace.

2. SAFETY INFORMATION

- Read all instructions carefully before installation. If you do not understand these instructions or have doubts about the safety of the installation, please contact a qualified installer.
- Verify that the mounting surface can safely support the combined weight of the equipment and all attached hardware and components.
- Use only the mounting hardware provided. Do not use the product for any purpose not explicitly specified by the manufacturer.
- Improper installation or use may result in property damage, serious injury, or death.
- Ensure all screws are tightened securely but do not overtighten. Overtightening can damage the screws and mounting surface.
- Keep children and pets away during installation.

3. PACKAGE CONTENTS

Please check to ensure all components are present and undamaged:

- 1 x PUTORSEN MAW-1 Monitor Wall Mount
- 1 x Mounting Hardware Kit (screws, anchors, L-key)
- 1 x User Manual

4. SPECIFICATIONS

Feature	Specification
Model Number	MAW-1
Screen Size Compatibility	17 - 42 inches
Weight Capacity	Up to 12 kg (26.4 lbs)
VESA Compatibility	75x75mm, 100x100mm
Tilt Angle	-35° to +35°
Rotation Angle	-180° to +180°
Swivel Angle	360°
Material	Aluminum
Product Weight	1.82 kg

Compatibility & Dimension

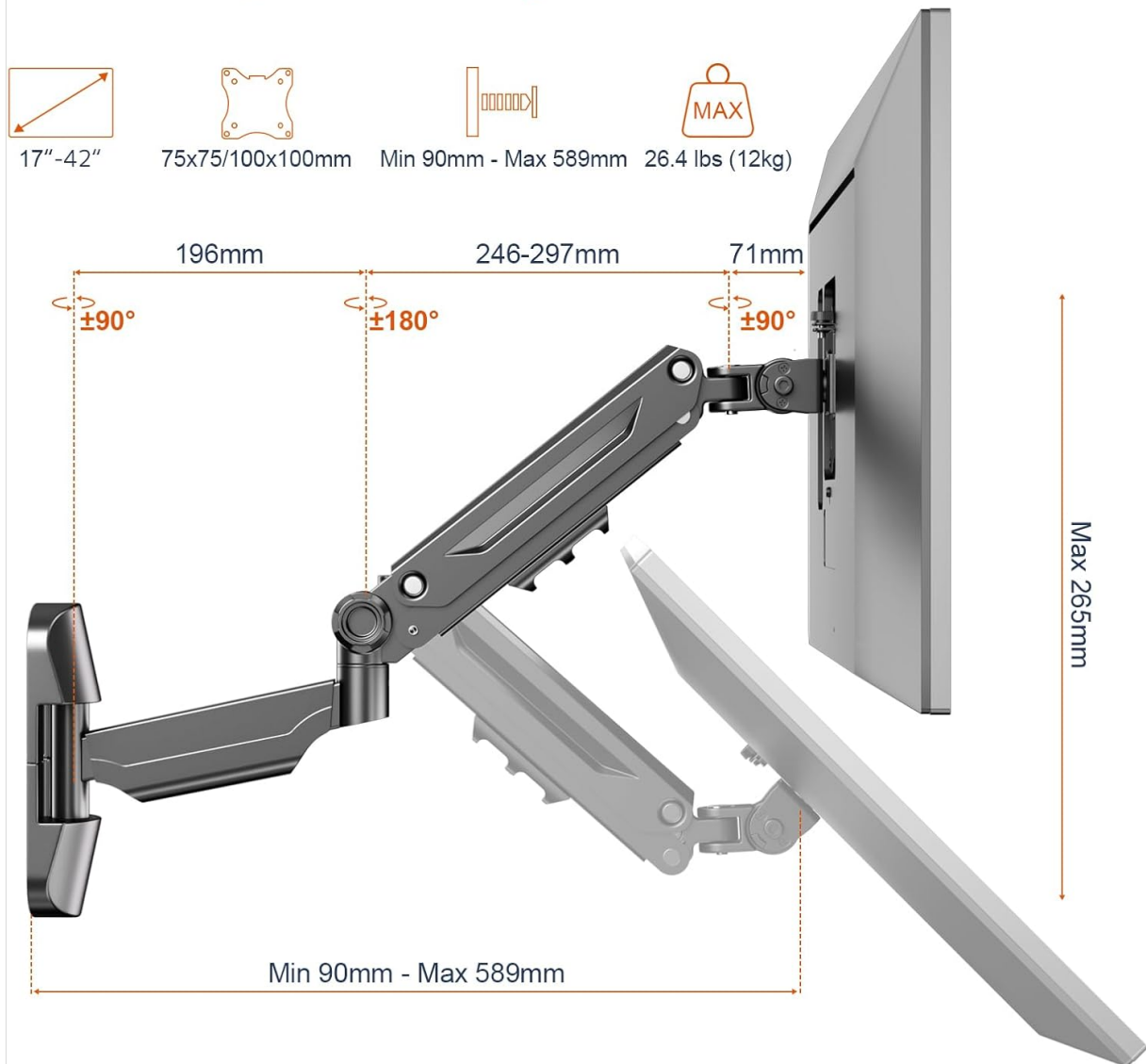


Figure 1: Compatibility and Dimensional Overview. This image illustrates the supported monitor sizes (17-42 inches), VESA patterns (75x75mm, 100x100mm), maximum weight (12kg), and various dimensions including arm extension and rotation limits.

5. SETUP AND INSTALLATION

Follow these three simple steps for installation:

1. Step 1: Attach the Wall Mount to Your Wall.

Carefully select a suitable wall location. Ensure the wall material can support the mount and your monitor's weight. Use the provided hardware to securely fasten the wall plate to the chosen spot.

2. Step 2: Connect Your Monitor to the VESA Plate.

The VESA plate is detachable for easier installation. Attach the VESA plate to the back of your monitor using the appropriate screws from the mounting hardware kit. Once attached, slide the monitor with the VESA plate onto the arm's mounting head until it clicks securely into place.

Detachable VESA Plate Design

For quick installation (1 person is enough)

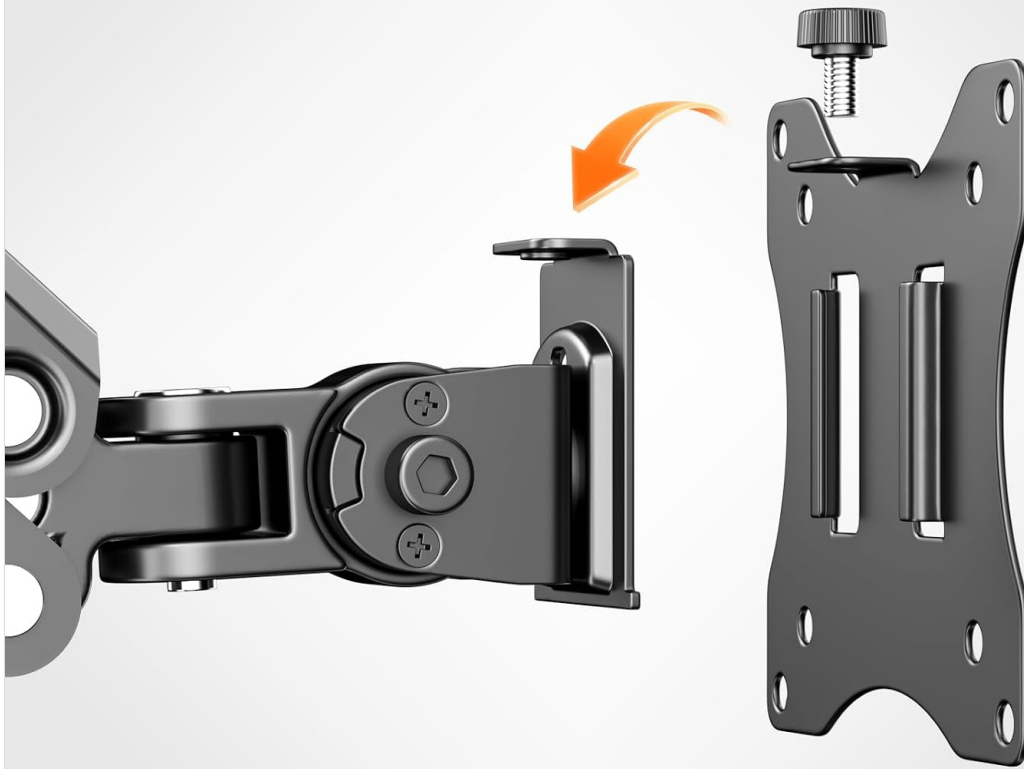


Figure 2: Detachable VESA Plate Design. This image demonstrates how the VESA plate detaches from the arm for easy monitor attachment, simplifying the installation process.

3. Step 3: Adjust the Gas Spring Tension.

After mounting the monitor, adjust the gas spring tension to match your monitor's weight. This ensures the monitor floats freely and can be positioned effortlessly. Refer to the 'Operating and Adjustment' section for detailed instructions on tension adjustment.

4. Cable Management:

Utilize the built-in cable management system to route and conceal your cables along the arm. This helps maintain a clean and organized workspace.

Built-in Cable Management for a Tidy Desk

Say Goodbye to Cable Clutter



Figure 3: Built-in Cable Management. This image highlights the integrated channels within the monitor arm designed to neatly route and hide cables, contributing to a tidy desk environment.

6. OPERATING AND ADJUSTMENT

The MAW-1 monitor mount offers extensive flexibility for optimal viewing comfort.

6.1 Gas Spring Tension Adjustment

The gas spring allows your monitor to float and be freely adjustable. Proper tension adjustment is crucial for this functionality. Use the provided L-key to adjust the articulation knob:

- If the monitor **cannot be lifted** or sags, turn the articulation knob in the "+" direction (counter-clockwise) to increase tension for heavier monitors.
- If the monitor **cannot be lowered** or rises too easily, turn the articulation knob in the "-" direction (clockwise) to decrease tension for lighter monitors.

Tension Adjustment



Figure 4: Gas Spring Tension Adjustment. This diagram shows the adjustment point on the arm and indicates turning counter-clockwise for heavier monitors (+) and clockwise for lighter monitors (-).

6.2 Monitor Positioning

The adjustable arm provides a wide range of motion:

- **Tilt:** Adjust the screen vertically from -35° to $+35^{\circ}$ to reduce glare and find your preferred viewing angle.
- **Rotation:** Rotate the screen horizontally from -180° to $+180^{\circ}$ to share your screen or change orientation.
- **Swivel:** Swivel the monitor 360° for portrait or landscape mode.

These adjustments help achieve ergonomic comfort, reducing strain on your neck, shoulders, and back.

Flexible Positioning

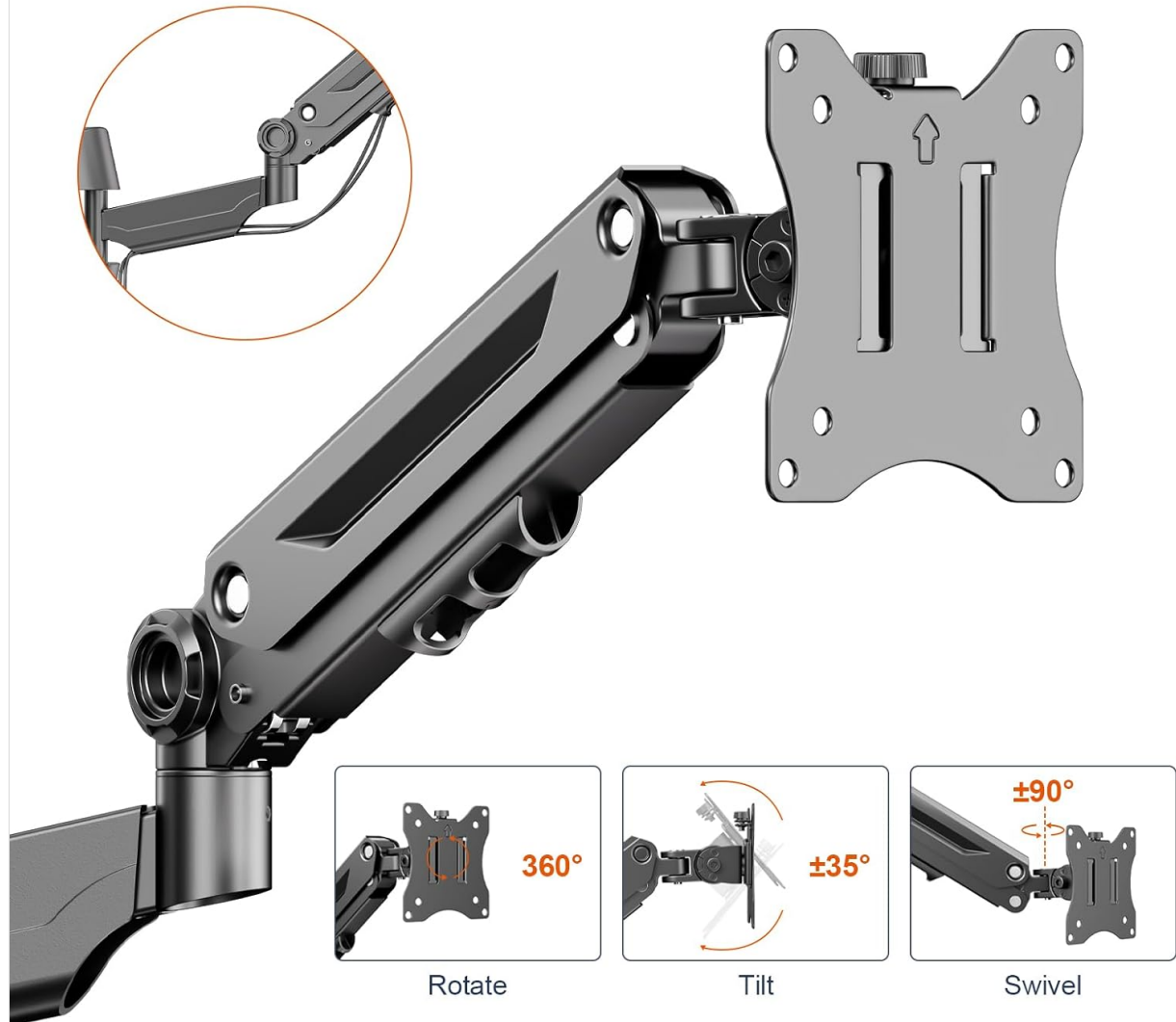


Figure 5: Flexible Positioning. This image illustrates the 360° rotation, $\pm 35^\circ$ tilt, and $\pm 90^\circ$ swivel capabilities of the monitor mount, allowing for versatile screen orientation.

7. MAINTENANCE

- Regularly check all screws and connections to ensure they remain tight and secure.
- Clean the mount with a soft, damp cloth. Avoid abrasive cleaners or solvents that could damage the finish.
- Inspect the gas spring mechanism periodically for any signs of wear or damage.

8. TROUBLESHOOTING

- **Monitor does not stay in position (sags or rises):** Adjust the gas spring tension using the L-key as described in Section 6.1. Ensure the tension is correctly set for your monitor's weight.
- **Difficulty moving the arm:** Check if any joints are overtightened. Loosen slightly if necessary. Ensure the gas spring tension is not set too high or too low for the monitor's weight.
- **Wobbling or instability:** Verify that the wall mount is securely fastened to the wall and that all monitor attachment screws are tight. Ensure the wall material is appropriate for the mount.

9. WARRANTY AND SUPPORT

The PUTORSEN MAW-1 Monitor Wall Mount is backed by a **10-year warranty**. This warranty covers manufacturing defects and ensures the product's quality and durability.

For any questions, technical assistance, or warranty claims, please contact our professional pre-sales and after-sales service team. We are available 7 days a week, 24 hours a day, to provide helpful support.

Contact information can typically be found on the product packaging or the official PUTORSEN website.