

[Manuals.plus](#) /

> [WIMBERLEY](#) /

> Wimberley AP-601 Replacement Lens Foot User Manual for Canon 400 f/2.8 IS III and Compatible Lenses

## WIMBERLEY AP-601

# Wimberley AP-601 Replacement Lens Foot User Manual

For Canon 400 f/2.8 IS III and Compatible Lenses

## 1. INTRODUCTION

The Wimberley AP-601 is a precision-machined replacement lens foot designed to enhance the stability and functionality of specific Canon telephoto lenses. It replaces the factory lens foot, offering a lower center of gravity for improved balance and integrating an Arca-Swiss style dovetail for direct compatibility with quick-release clamps. This manual provides detailed instructions for installation, operation, and maintenance of your AP-601 lens foot.



Image 1: The Wimberley AP-601 Replacement Lens Foot, showing its robust design and Arca-Swiss compatible dovetail.

## 2. INCLUDED COMPONENTS

---

Before beginning installation, please verify that all components are present:



Image 2: All items included with the Wimberley AP-601 Replacement Lens Foot, including mounting screws and hex keys.

- AP-601 Arca-Swiss Style Replacement Lens Foot (Qty 1)
- Mounting Screws – M4 x 14mm Socket Head Cap Screw (Qty 4)
- Safety Stop Screws - M3 x 6mm Socket Head Cap Screw (Qty 2)
- Hex Key – 3mm T-handle (Qty 1)
- Hex Key – 2.5mm (Qty 1)

## 3. COMPATIBILITY

---

The AP-601 Replacement Lens Foot is specifically designed for use with the following Canon lenses:

- Canon 100-300 RF f/2.8 IS
- Canon 400 f/2.8 IS version III
- Canon 400 RF f/2.8 IS
- Canon 800 RF f/5.6 IS

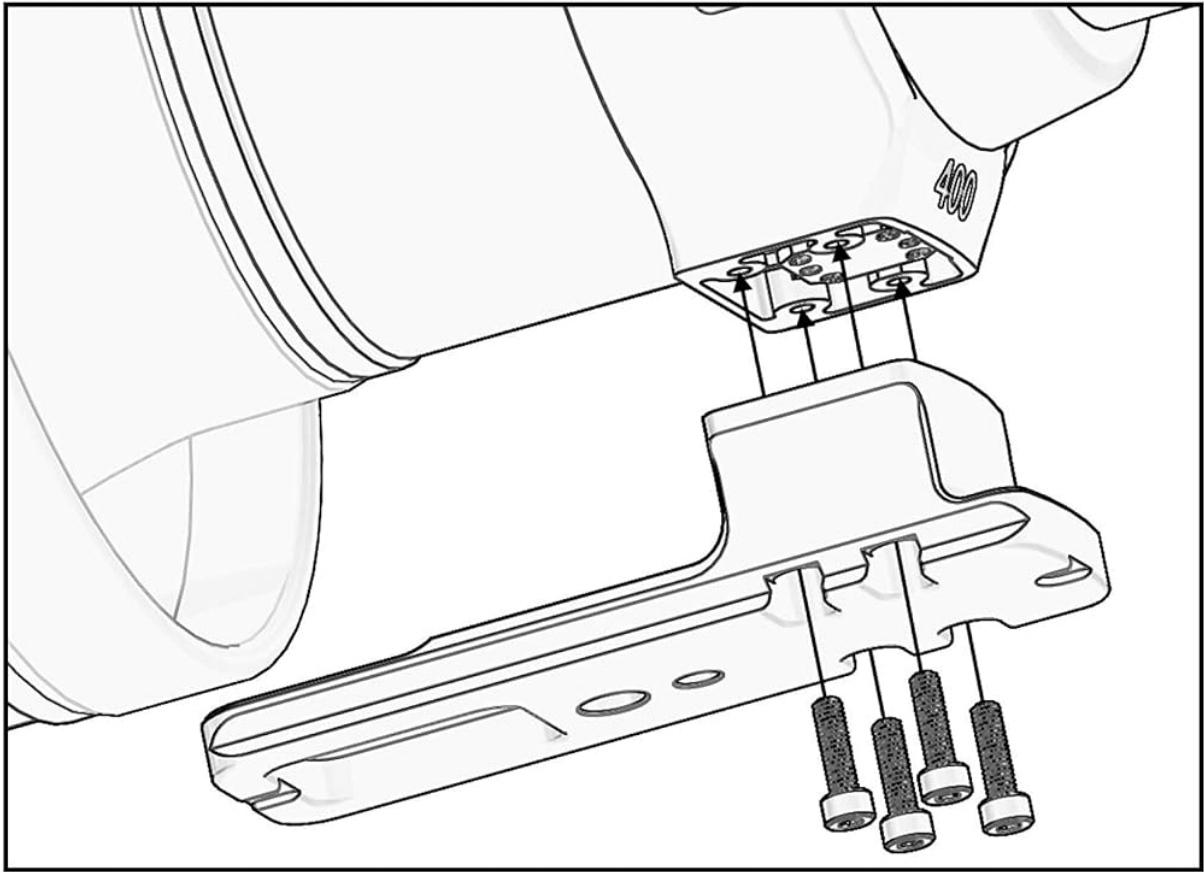
**Note:** This product is not compatible with most Manfrotto or Gitzo clamps due to differing quick-release plate standards.

## 4. INSTALLATION INSTRUCTIONS

---

Follow these steps to replace your lens's factory foot with the Wimberley AP-601:

## Installation Instructions



### Using Flash Brackets

Wimberley replacement feet have a double dovetail cross-section. The upper dovetail allows you to attach Wimberley Flash Brackets as well as other 3rd party quick-release style brackets.

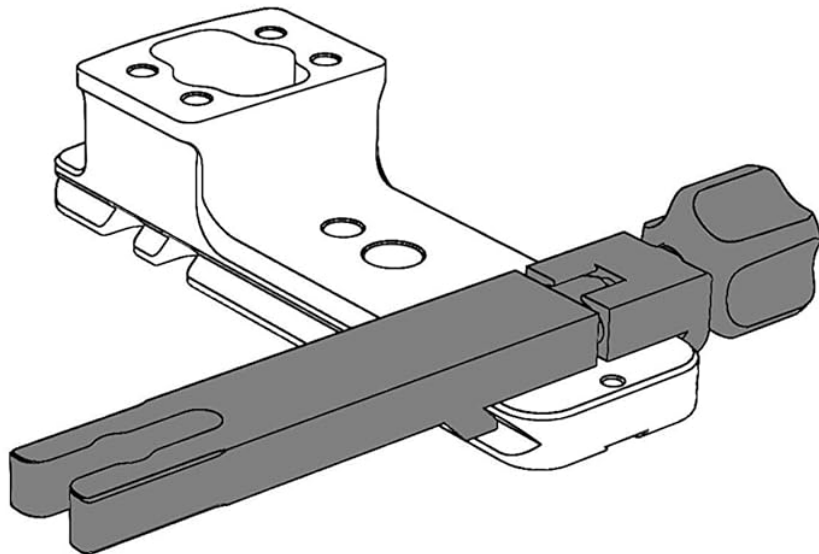


Image 3: Visual guide for attaching the AP-601 replacement foot to the lens collar using the provided screws.

1. **Remove Existing Foot:** Carefully unscrew and remove the factory lens foot from your compatible Canon lens. Keep the original screws in a safe place.
2. **Position AP-601:** Align the Wimberley AP-601 replacement foot with the mounting holes on the lens collar. Ensure proper orientation.

3. **Secure with Screws:** Insert the four M4 x 14mm Socket Head Cap Screws (provided) into the mounting holes. Use the 3mm T-handle Hex Key to tighten them securely. Do not overtighten.
4. **Install Safety Stop Screws (Optional):** If desired, screw the two M3 x 6mm Socket Head Cap Safety Stop Screws into the small threaded holes at the front and back of the foot using the 2.5mm Hex Key. These screws prevent the foot from accidentally sliding out of a quick-release clamp.
5. **Verify Stability:** Gently test the installed foot to ensure it is firmly attached and stable before mounting your lens to a tripod or monopod.

## 5. OPERATING INSTRUCTIONS

### 5.1 Arca-Swiss Compatibility

The AP-601 features an integrated Arca-Swiss style dovetail, allowing it to slide directly into any Arca-Swiss compatible quick-release clamp. This provides a secure and efficient mounting solution for tripods, monopods, and gimbal heads.

### 5.2 Using Flash Brackets

The AP-601 replacement foot incorporates a double dovetail cross-section. This design allows for the attachment of Wimberley Flash Brackets and other third-party quick-release style brackets directly to the top of the lens foot.

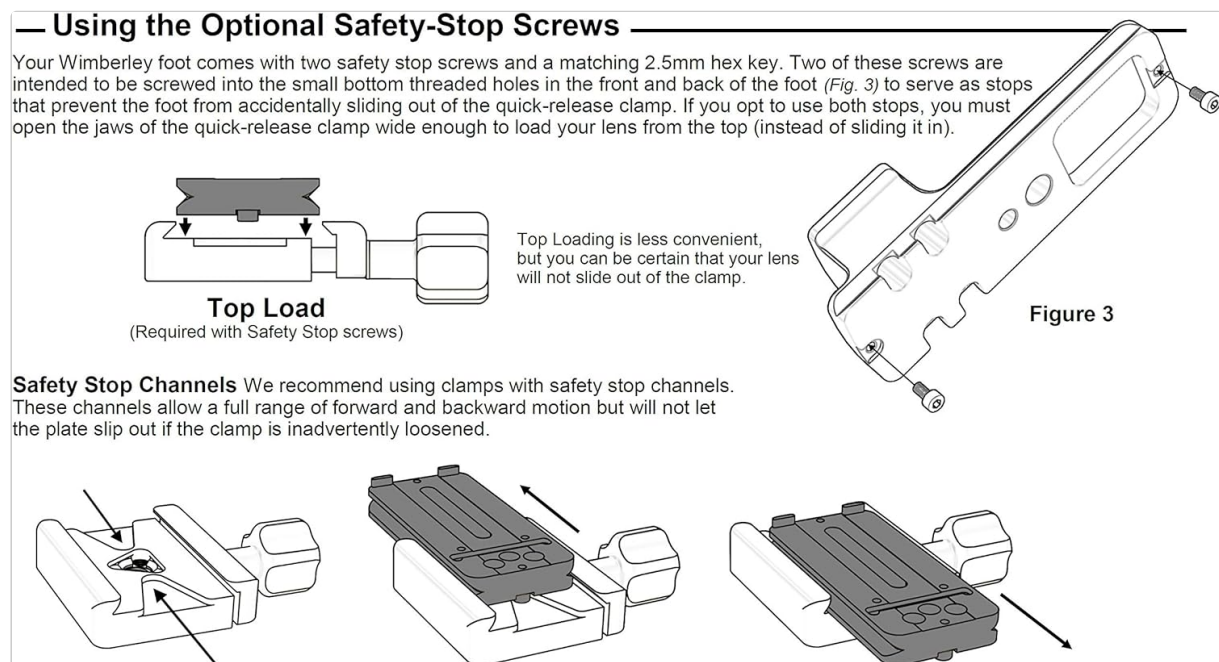
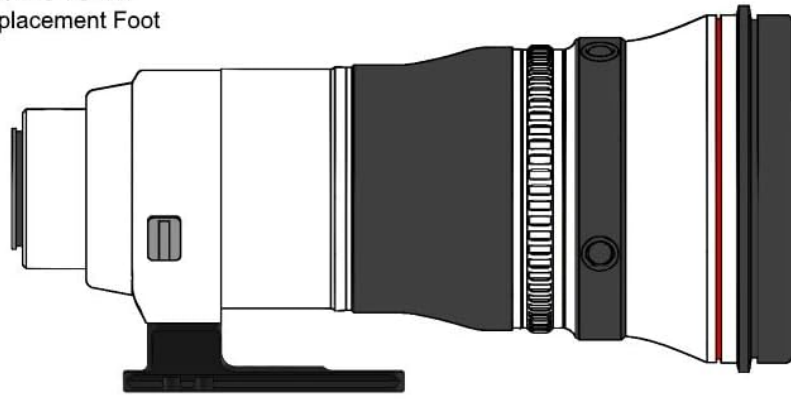


Image 4: Illustration of how a flash bracket can be mounted onto the double dovetail of the AP-601 foot.

### 5.3 Using Optional Safety-Stop Screws

The two included safety stop screws are designed to be threaded into the small holes at the ends of the foot. When installed, these screws act as stops, preventing the lens foot from accidentally sliding completely out of a quick-release clamp if it becomes loose. If you choose to use both safety stops, you must open the jaws of your quick-release clamp wide enough to load your lens from the top, rather than sliding it in from the side.

**Canon 400 f/2.8 IS III**  
with AP-601 Replacement Foot



**Canon 400 f/2.8 IS III**  
with factory foot and hood reversed

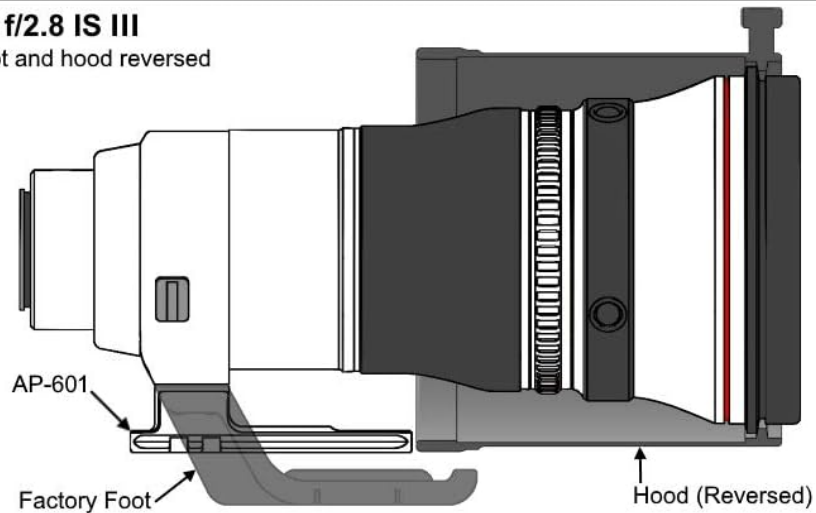


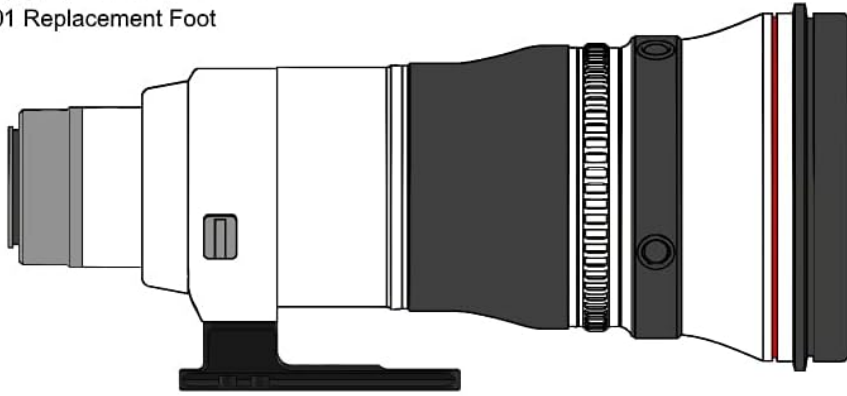
Image 5: Depiction of safety stop screws in place and the method for top-loading a lens into a quick-release clamp when safety stops are used.

Wimberley recommends using quick-release clamps that feature safety stop channels. These channels allow for a full range of forward and backward movement of the plate while preventing it from slipping out if the clamp is inadvertently loosened.

#### **5.4 Lens Balance and Handling**

The AP-601 is engineered to lower the center of gravity of your lens, providing optimal balance when mounted. This design improves stability and handling, especially with heavy telephoto lenses.

**Canon 400 RF f/2.8 IS**  
with AP-601 Replacement Foot



**Canon 400 RF f/2.8 IS**  
with factory foot and hood reversed

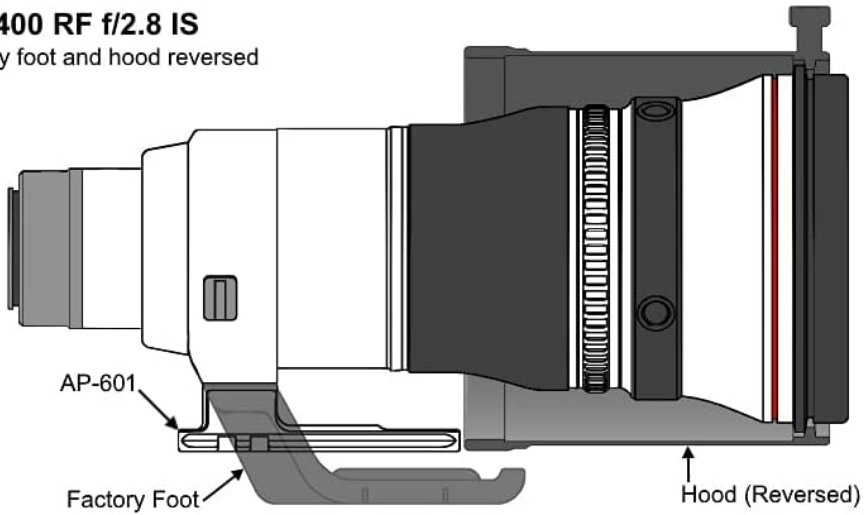


Image 6: A Canon 400 f/2.8 IS III lens shown with the AP-601 replacement foot (top) compared to the factory foot and reversed hood (bottom), highlighting the compact profile.

# Canon

## Lens Plate Recommendations

CANON LENSES	Plate Recommendations for: WIMBERLEY HEAD (WH-200) And Non-Gimbal Heads (Ball Heads, etc.)	Plate Recommendations for: SIDEKICK (SK-100)	Plate Recommendations for: Sidemount Wimberley (WH-200-S)
28-300 f/3.5-5.6 IS	P-20	P-20	P-20
35-350 f/3.5-5.6	P-20	P-20	P-20
65 f/2.8 1-5x macro	P-20	P-20	P-20
70-200 f/2.8 non-IS	P-20	P-20	P-20
70-200 f/2.8 IS I	P-20	P-20	P-20
70-200 f/2.8 IS II & IS III	P-10	P-10	P-10
70-200 f/4 non-IS	P-10	P-10	P-10
70-200 f/4 IS & IS II	P-10	P-10	P-10
70-300 f/4-5.6L IS	P-20	P-20	P-20
80-200 f/2.8	P-20	P-20	P-20
100 f/2.8 Macro non-IS & IS	P-20	P-20	P-20
100-400 f/4.5-5.6 IS I	P-20	P-20	P-20
100-400 f/4.5-5.6 IS II	P-10 Mounted in Reverse	P-10 Mounted in Reverse	P-10 Mounted in Reverse
180 f/3.5 Macro	P-20	P-20	P-20
200 f/1.8	P-20	P-20	P-20
200 f/2 IS	P-20	P-20	P-20
200 f/2.8 IS I & IS II	P-20	P-20	P-20
200 f/2.8L non-IS	P-20	P-20	P-20
200-400 f/4 IS	P-40 or AP-603	P-40 or AP-603	P-40 or AP-603
300 f/2.8 non-IS	P-20	P-20	P-20
300 f/2.8 IS	P-30	P-30	P-30
300 f/2.8L IS II	P-20 or AP-603	P-20 or AP-603	P-20 or AP-603
300 f/4 non-IS	P-10	P-10	P-10
400 f/2.8 non-IS v1 & v2	P-50	P-50 + AP-900	(not compatible)
400 f/2.8 IS I & II	P-40 or AP-604	AP-602	AP-602
400 f/2.8 IS III	P-40 or AP-601	AP-601	AP-601
400 f/4.0 DO IS I	P-20	P-20	P-20
400 f/4.0 DO IS II	P-20 or AP-603	P-20 or AP-603	P-20 or AP-603
400 f/5.6	P-20	P-20	P-20
500 f/4.5 non-IS	P-40	P-40	P-40
500 f/4 IS II	P-40 or AP-603	AP-603	AP-603
600 f/4.0 non-IS	P-50	P-50 + AP-900	(not compatible w/ Sidemount)
600 f/4.0 IS III	P-40 or AP-600	AP-600	AP-600

Image 7: A Canon 400 RF f/2.8 IS lens shown with the AP-601 replacement foot (top) compared to the factory foot and reversed hood (bottom), demonstrating improved balance and reduced bulk.

## 6. MAINTENANCE

The Wimberley AP-601 is constructed from anodized 6061 aluminum with stainless steel fasteners, designed for durability and minimal maintenance. To ensure its longevity:

- Keep the foot clean from dust and debris. Wipe with a soft, dry cloth.
- Avoid using harsh chemicals or abrasive materials, which can damage the anodized finish.
- Periodically check that all mounting screws are securely tightened.

## 7. TROUBLESHOOTING

If you encounter any issues with your AP-601 lens foot, consider the following:

- **Foot feels loose:** Ensure all four M4 mounting screws are tightened securely using the 3mm Hex Key.
- **Cannot slide into quick-release clamp:** Verify that your quick-release clamp is Arca-Swiss compatible. If using safety stop screws, ensure the clamp jaws are opened wide enough for top-loading.
- **Improper balance:** Confirm the AP-601 is correctly installed and that your lens is listed as compatible.

## 8. SPECIFICATIONS

---

Feature	Detail
Model Number	AP-601
Material	Anodized 6061 Aluminum, Stainless Steel Fasteners
Compatibility	Arca-Swiss style quick-release clamps
Weight	7.5 ounces
Manufacturing Location	Made in USA, Assembled in Charlottesville, Virginia

## 9. WARRANTY AND SUPPORT

---

Wimberley provides a **10-Year Warranty** on all its products, including the AP-601 Replacement Lens Foot. This warranty covers manufacturing defects and ensures the quality and durability of your product.

For technical support, warranty claims, or further assistance, please contact Wimberley directly. Refer to the official Wimberley website for the most current contact information.