

GROHE 36451000

Grohe BAU Cosmopolitan E 36451000

Infrared Electronic Basin Mixer User Manual

Model: 36451000 | Brand: GROHE

1. INTRODUCTION

The GROHE BAU Cosmopolitan E 36451000 is an advanced infrared electronic basin mixer designed for modern bathrooms. It features a touchless operation for enhanced hygiene and water efficiency. This manual provides detailed instructions for installation, operation, maintenance, and troubleshooting to ensure optimal performance and longevity of your faucet.

This basin mixer includes an infrared sensor for bidirectional communication, a 6V lithium battery (type CR-P2) with an approximate 7-year life (based on 150 operations per day), and a GROHE StarLight surface for a durable chrome finish. It also incorporates EcoJoy technology for a flow rate of 5.7 liters per minute, a polymer composite mixer body, and integrated magnetic valve. The system offers a quick assembly process, a battery level indicator, 7 preset programs, and automatic cleaning and disinfection modes.

2. PRODUCT FEATURES

- **Infrared Sensor:** For touch-free, hygienic activation and bidirectional communication.
- **Durable Construction:** Faucet body made of composite polymers with a GROHE StarLight chrome surface.
- **Long-lasting Battery:** Powered by a 6V lithium battery (type CR-P2) with an estimated life of 7 years (150 operations/day).
- **Water Efficiency:** Features EcoJoy technology with a flow rate of 5.7 liters per minute to save water without compromising comfort.
- **Adjustable Temperature Limiter:** Allows setting a temperature limit to save energy and reduce the risk of scalding.
- **Quick Assembly System:** Designed for hassle-free installation.
- **Advanced Functions:** Includes 7 preset programs, automatic cleaning, and disinfection modes.

- **Battery Level Indicator:** Provides visual indication of battery status.



Figure 2.1: Key features of the Grohe BAU Cosmopolitan E faucet, highlighting the infrared sensor, temperature limiter, longlife battery, and water-saving capabilities.



Figure 2.2: Demonstration of the touchless activation feature, where water flows when hands are detected by the infrared sensor.

3. PACKAGE CONTENTS

Please verify that all components are present and undamaged before beginning installation.

- Electronic basin mixer unit
- 6V Lithium battery (type CR-P2)
- Connecting hoses
- Integrated magnetic valve

- Mounting hardware (quick assembly system components)
- Instruction manual

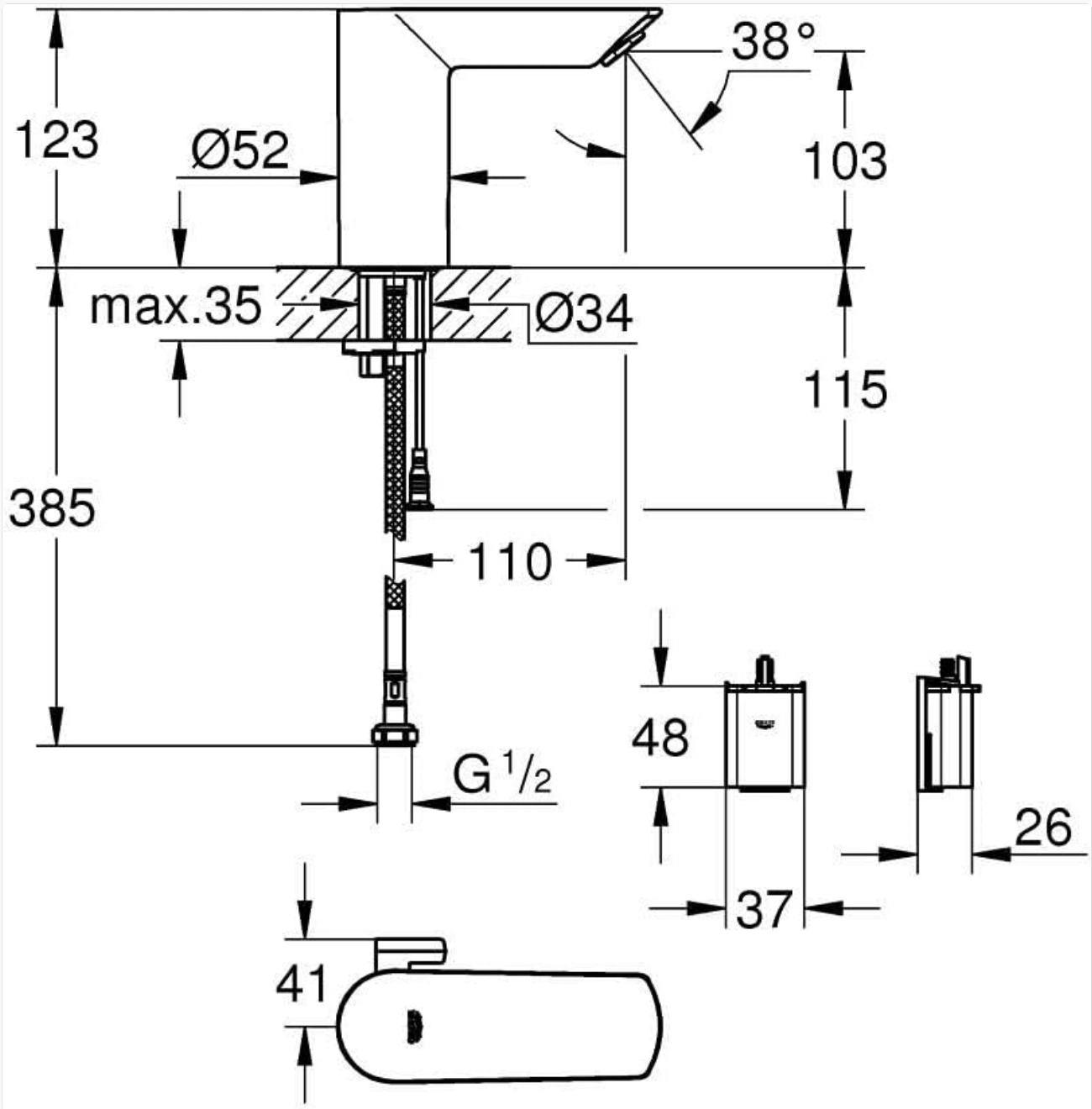


Figure 3.1: All components included in the product package, showing the main faucet body, battery, hoses, and mounting parts.

4. SETUP AND INSTALLATION

4.1 Pre-Installation Checklist

- Ensure water supply is turned off at the main valve.
- Clear the installation area and ensure sufficient space for the faucet and connections.
- Verify that your basin has a single hole suitable for deck mounting (minimum $\text{Ø}34\text{mm}$).
- Gather necessary tools: adjustable wrench, screwdriver, sealant tape (if required).

4.2 Installation Steps

1. **Prepare the Basin:** Ensure the mounting surface is clean and dry.

2. **Mount the Faucet:** Insert the faucet body into the single hole on the basin. Use the quick assembly system to secure the faucet from underneath the basin. Tighten the mounting nut firmly but do not overtighten.
3. **Connect Water Hoses:** Attach the hot and cold water supply lines to the corresponding inlets on the faucet. Ensure a watertight seal using appropriate washers or sealant tape.
4. **Install Battery:** Open the battery compartment (typically located near the base or under the basin) and insert the 6V lithium battery (CR-P2 type). Ensure correct polarity. Close the compartment securely.
5. **Check for Leaks:** Slowly turn on the main water supply and check all connections for any leaks. Tighten connections if necessary.
6. **Test Operation:** Once installed, test the faucet's sensor operation and temperature adjustment.



Figure 4.1: Detailed technical drawing showing the dimensions and installation requirements for the Grohe basin mixer, including spout height, hole diameter, and connection points.

5. OPERATING INSTRUCTIONS

5.1 Sensor Operation

The faucet is equipped with an infrared sensor for touchless operation. Simply place your hands within the sensor's

detection range (typically below the spout) to activate the water flow. Water will stop flowing automatically when your hands are removed from the sensor's range.

5.2 Temperature Adjustment

The faucet includes a mixing device with an adjustable temperature limiter. Use the small lever or knob located on the side of the faucet to adjust the water temperature from cold to hot. The temperature limiter can be set during installation or maintenance to prevent excessively hot water, enhancing safety and energy efficiency.

5.3 Special Functions

- **Preset Programs:** The faucet comes with 7 preset programs. Refer to the detailed instruction manual included in the package for information on how to access and customize these programs.
- **Automatic Cleaning Mode:** To clean the faucet without accidental activation, the system can be temporarily deactivated. Consult the full instruction manual for specific steps to engage the automatic cleaning mode.
- **Disinfection Mode:** For enhanced hygiene, the faucet features an automatic disinfection mode. Refer to the comprehensive manual for details on activating and utilizing this function.

6. MAINTENANCE

6.1 Cleaning the Faucet

To maintain the GROHE StarLight chrome surface, clean the faucet regularly with a soft cloth and mild soap or a non-abrasive cleaner specifically designed for chrome finishes. Avoid using abrasive sponges, scouring agents, or cleaners containing alcohol, acid, or ammonia, as these can damage the surface.

6.2 Battery Replacement

The faucet is powered by a 6V lithium battery (type CR-P2) with an approximate life of 7 years under normal usage. The battery level indicator will signal when the battery is low and requires replacement. To replace the battery:

1. Turn off the water supply to the faucet.
2. Locate the battery compartment, usually at the base of the faucet or in a separate control box under the basin.
3. Open the compartment and carefully remove the old battery.
4. Insert a new 6V lithium battery (CR-P2), ensuring correct polarity.
5. Close the battery compartment securely.
6. Turn on the water supply and test the faucet's operation.

7. TROUBLESHOOTING

This section addresses common issues you might encounter with your electronic basin mixer.

Problem	Possible Cause	Solution
No water flow	Water supply off; Low battery; Sensor obstruction; Clogged aerator.	Check water supply; Replace battery; Clean sensor; Clean/replace aerator.
Low water pressure/flow	Clogged aerator; Partially closed shut-off valves; Debris in supply lines.	Clean/replace aerator; Fully open shut-off valves; Flush supply lines.

Problem	Possible Cause	Solution
Sensor not responding	Low battery; Sensor dirty/obstructed; Incorrect sensor settings.	Replace battery; Clean sensor window; Refer to manual for sensor calibration/settings.
Water continuously runs	Sensor malfunction; Debris in valve.	Clean sensor; Contact GROHE support if issue persists.
Inconsistent temperature	Water heater issues; Mixing valve malfunction.	Check water heater settings; Contact a qualified plumber.

If you encounter problems not listed here or if solutions do not resolve the issue, please contact GROHE customer support or a qualified plumber.

8. TECHNICAL SPECIFICATIONS

Specification	Detail
Model Number	36451000
Brand	GROHE
Product Dimensions	36.5 x 22 x 10.5 cm
Item Weight	760 g
Power Source	6V Lithium Metal battery (CR-P2, included)
Battery Life	Approx. 7 years (150 operations/day)
Material	Plastic and Composite
Finish	Polished Chrome (GROHE StarLight)
Flow Rate	5.1 Liters Per Minute (EcoJoy)
Installation Method	Single Hole, Deck Mount
Spout Height	103 Millimeters
Special Features	Touchless, Adjustable Temperature Limiter, 7 Preset Programs, Automatic Cleaning/Disinfection Mode

9. WARRANTY AND SUPPORT

Your GROHE BAU Cosmopolitan E 36451000 Infrared Electronic Basin Mixer comes with a **5-year manufacturer warranty**. This warranty covers defects in materials and workmanship under normal use and service. Your legal warranty claims remain intact.

For technical assistance, warranty claims, or to purchase replacement parts, please contact GROHE customer support directly. Ensure you have your product model number (36451000) and proof of purchase available when contacting support.

GROHE Contact Information: Please refer to the official GROHE website or the contact details provided in your product packaging for the most up-to-date support information in your region.

