

VIVO STAND-V101G1

VIVO Premium Aluminum Heavy Duty Monitor Arm

Model: STAND-V101G1

Brand: VIVO

1. INTRODUCTION

The VIVO Premium Aluminum Heavy Duty Monitor Arm (Model STAND-V101G1) is engineered to provide a robust and flexible mounting solution for your display. This arm supports ultrawide monitors up to 49 inches and standard flat/curved monitors up to 32 inches, with a weight capacity of up to 33 lbs. Its pneumatic height adjustment, tilt, swivel, and rotation capabilities allow for optimal ergonomic positioning, enhancing comfort and productivity. This manual will guide you through the installation, operation, and maintenance of your monitor arm.

2. SAFETY INFORMATION

Please read and understand all instructions before use. Failure to follow these instructions may result in property damage, serious injury, or death.

- **Weight Capacity:** Do not exceed the maximum weight capacity of 33 lbs (15 kg). Overloading may cause instability, resulting in possible injury.
- **VESA Compatibility:** Ensure your monitor has VESA mounting holes (75x75mm or 100x100mm). If your monitor does not have VESA holes, a separate adapter (not included) will be required.
- **Pinch Points:** Be aware of pinch points during assembly and adjustment. Keep hands and fingers clear of moving parts.
- **Secure Installation:** Ensure the desk clamp or grommet mount is securely fastened to a stable desk

surface before attaching the monitor.

- **Monitor Stability:** After installation, gently test the arm's stability and adjust tension as needed to ensure the monitor remains in its desired position.

3. PACKAGE CONTENTS

Verify that all components are present and in good condition before beginning assembly. If any parts are missing or damaged, please contact VIVO customer support.

- Monitor Arm Assembly
- Desk Clamp Base
- Grommet Mount Base
- VESA Plate
- Hardware Kit (screws, washers, spacers)
- Tools (Allen wrenches)

4. SETUP

4.1 Choose Your Mounting Option

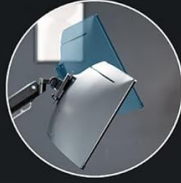
The monitor arm offers two installation methods: Desk Clamp or Grommet Mount.

Height Range



10.5" to 23.5"

Spring Assisted Tilt



+45° to -45°

SWIVEL



180°



**ULTRAWIDE ADAPTER
NOT INCLUDED**

ULTRAWIDE MONITORS WITH CIRCULAR CONNECTION
REQUIRE THE USE OF AN ADAPTER
THAT WAS INCLUDED WITH YOUR MONITOR



Max. Extension 23"



SECURE HOLD

This diagram details the arm's weight capacity (2.2-33 lbs), VESA compatibility (75x75mm, 100x100mm), integrated cable management, and desk thickness requirements for both clamp (0.4-3.3 inches) and grommet (0.4-1.9 inches) installations.

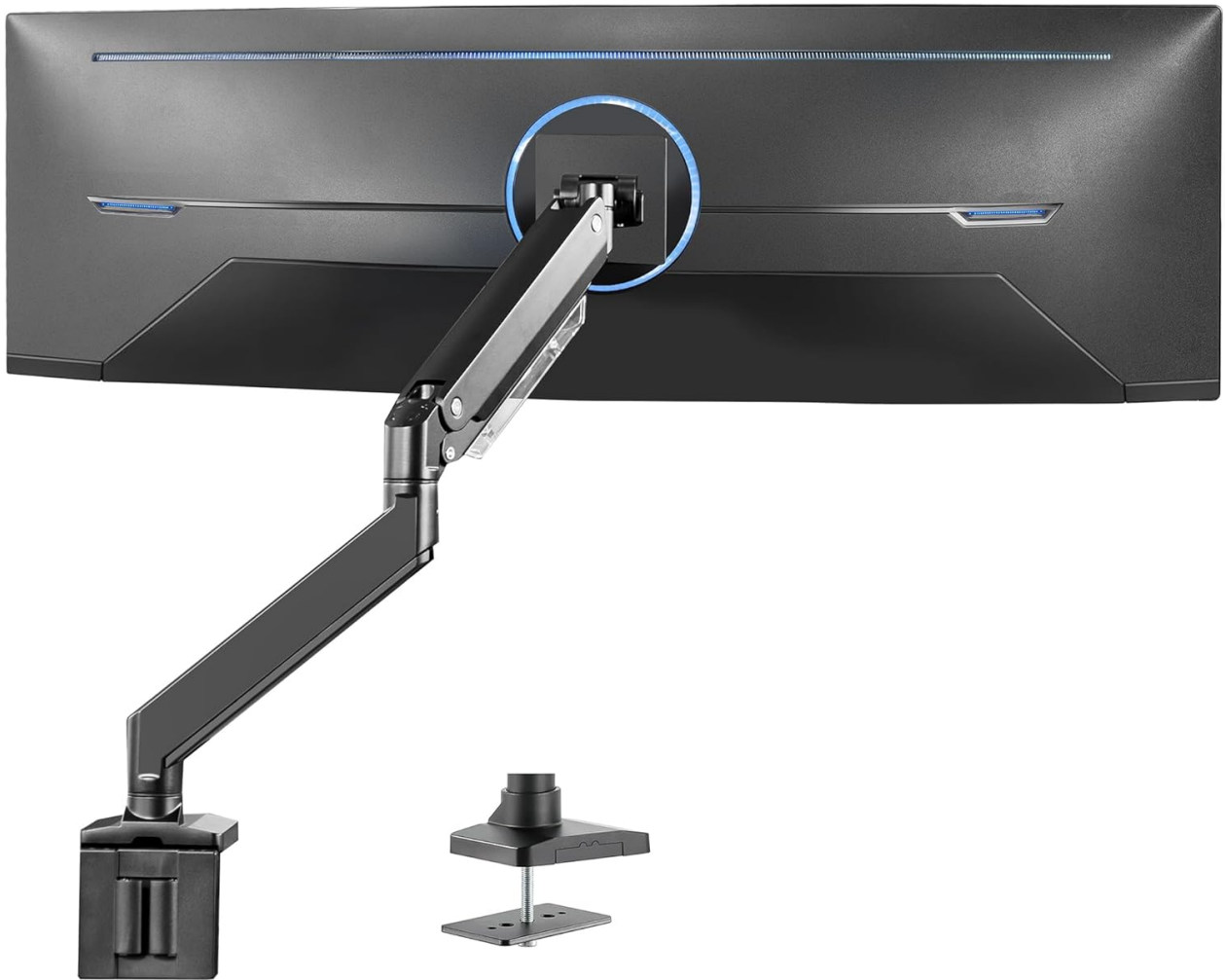
Heavy Duty Clamp



The robust desk clamp provides a secure and stable foundation for the monitor arm, ensuring your display remains firmly in place. It is designed to fit a wide range of desk thicknesses.

4.2 Attach VESA Plate to Monitor

Align the VESA plate with the mounting holes on the back of your monitor. Use the appropriate screws and spacers from the hardware kit to securely fasten the plate. For ultrawide monitors with circular connections, an adapter (not included) may be required.



This image illustrates how the monitor arm connects to the back of your display via the VESA mounting plate. Ensure the plate is securely fastened to your monitor before attaching it to the arm.

4.3 Attach Monitor to Arm

Once the VESA plate is attached to your monitor, slide the monitor onto the quick-release VESA bracket on the arm until it clicks securely into place. Ensure it is fully seated and locked.

4.4 Adjust Tension

The pneumatic spring requires tension adjustment to properly hold your monitor's weight. Use the provided Allen wrench to turn the tension screw on the arm. Turn counter-clockwise for heavier monitors and clockwise for lighter monitors until the arm can hold the monitor in any position without drifting up or down.

POWERFUL PNEUMATIC ARM



▲
Height Range
10.5" - 23.5"
27cm - 60cm
▼

Tension Adjustment

- COUNTER-CLOCKWISE for HEAVIER MONITORS
- CLOCKWISE for LIGHTER MONITORS

The powerful pneumatic arm allows for smooth and effortless height adjustments. Use the tension adjustment screw to fine-tune the arm's resistance based on your monitor's weight: turn counter-clockwise for heavier monitors and clockwise for lighter ones.

5. OPERATING THE MONITOR ARM

The VIVO monitor arm offers a wide range of motion for optimal viewing comfort.

5.1 Adjustments

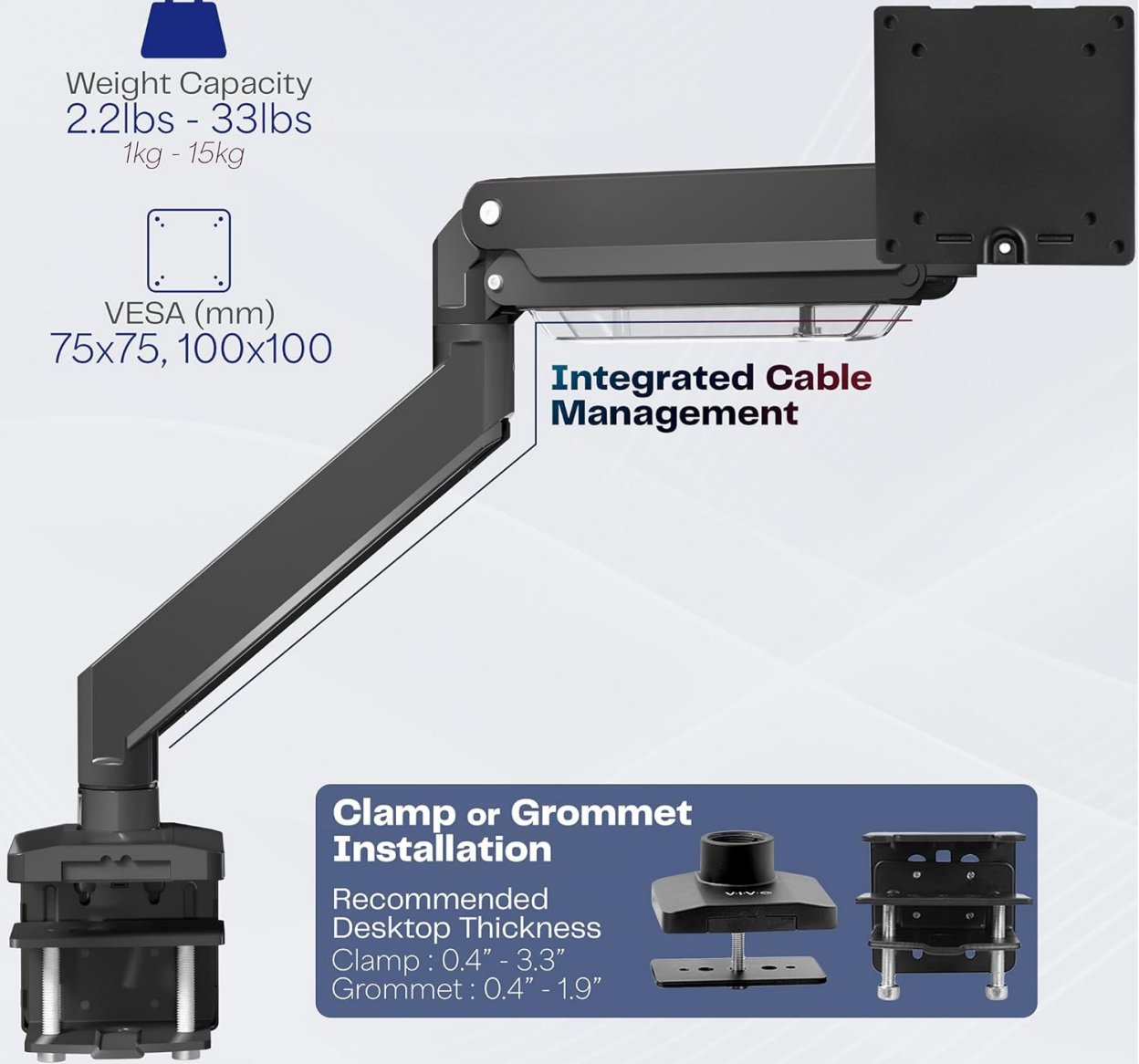
- **Height Adjustment:** Gently push or pull the monitor up or down to adjust its height. The pneumatic spring will assist in smooth movement.
- **Tilt:** Tilt the monitor screen -45° to $+45^{\circ}$ to reduce glare and optimize viewing angles.
- **Swivel:** Swivel the monitor 180° left or right to share your screen or change viewing direction.
- **Rotation:** Rotate the monitor 180° to switch between landscape and portrait orientations.



Weight Capacity
2.2lbs - 33lbs
1kg - 15kg



VESA (mm)
75x75, 100x100



Integrated Cable Management

Clamp or Grommet Installation

Recommended Desktop Thickness
Clamp : 0.4" - 3.3"
Grommet : 0.4" - 1.9"



This diagram highlights the arm's versatile adjustability, offering a height range of 10.5 to 23.5 inches, a spring-assisted tilt from -45° to +45°, 180° swivel, and 180° rotation. The maximum extension is 23 inches, providing ample reach.



The monitor arm provides a stable and elevated position for your display, freeing up valuable desk space. The curved monitor demonstrates the arm's compatibility with various screen types.

5.2 Cable Management

The arm features an integrated cable management system to keep your workspace tidy. Route your monitor cables through the designated channels on the arm to conceal them and prevent clutter.



The arm features an integrated cable management system, allowing you to route and conceal monitor cables for a clean and organized desktop setup.

6. MAINTENANCE

To ensure the longevity and optimal performance of your VIVO monitor arm, follow these simple maintenance guidelines:

- **Cleaning:** Wipe the arm and base with a soft, damp cloth. Avoid using abrasive cleaners or solvents that could damage the finish.
- **Periodic Checks:** Periodically check all screws and connections to ensure they remain tight. Re-tighten if necessary.
- **Tension Adjustment:** If the monitor begins to sag or becomes difficult to move, re-adjust the pneumatic spring tension as described in Section 4.4.

7. TROUBLESHOOTING

If you encounter issues with your monitor arm, refer to the following common problems and solutions:

Problem	Possible Cause	Solution
Monitor sags or drifts down	Insufficient pneumatic spring tension for monitor weight.	Increase tension by turning the tension screw counter-clockwise (Section 4.4).
Monitor is difficult to move up/down	Too much pneumatic spring tension for monitor weight.	Decrease tension by turning the tension screw clockwise (Section 4.4).
Arm feels unstable or wobbly	Desk clamp/grommet mount is not securely tightened.	Ensure the clamp or grommet mount is fully tightened to the desk surface.
Monitor does not attach to VESA plate	Incorrect VESA pattern or missing adapter.	Verify monitor's VESA pattern (75x75mm or 100x100mm). Obtain a VESA adapter if needed.

8. SPECIFICATIONS

Feature	Specification
Model Number	STAND-V101G1
Material	Aluminum
Color	Black
Weight Capacity	2.2 lbs - 33 lbs (1 kg - 15 kg)
Compatible Screen Size	Ultrawide up to 49 inches, Standard up to 32 inches
VESA Compatibility	75x75mm, 100x100mm
Height Adjustment Range	10.5 inches - 23.5 inches (27cm - 60cm)
Tilt Angle	-45° to +45°
Swivel Angle	180°
Rotation Angle	180°
Max Extension	23 inches
Desk Clamp Thickness	0.4 inches - 3.3 inches
Grommet Mount Thickness	0.4 inches - 1.9 inches

Feature	Specification
Item Weight	12.7 pounds

9. WARRANTY AND SUPPORT

VIVO is committed to providing high-quality products and excellent customer service. Your VIVO monitor arm comes with a generous product protection plan. For detailed warranty information, technical support, or to inquire about replacement parts, please visit the official VIVO store or contact their U.S.-based support team. You can find additional resources, including a User Guide (PDF) and User Manual (PDF), on the product's Amazon page or the VIVO website for more in-depth information.

[Visit the Official VIVO Store](#)