

## YOURLITE USBA20070

# YOURLITE Square Blue Tempered Glass Vessel Sink Combo

Model: USBA20070

## INTRODUCTION

---

This manual provides detailed instructions for the installation, operation, and maintenance of your YOURLITE Square Blue Tempered Glass Vessel Sink Combo. Please read this manual thoroughly before beginning installation or use to ensure proper function and longevity of your product. Retain this manual for future reference.

## SAFETY INFORMATION

---

### WARNING:

- Always turn off the main water supply before installing or performing any maintenance on the sink or faucet.
- Wear appropriate personal protective equipment (PPE) such as safety glasses and gloves during installation.
- Handle glass components with care to prevent breakage and injury.
- Ensure all connections are secure and watertight to prevent leaks.
- If you are unsure about any part of the installation process, consult a qualified plumber.

## PACKAGE CONTENTS

---

Verify that all components listed below are present and undamaged before beginning installation.

- Tempered Glass Vessel Sink (Square Blue)
- Faucet (1.5 GPM)
- Pop-Up Drain
- Hot and Cold Water Supply Hoses

- Mounting Hardware and Seals
- Instruction Manual

## Accessories required for installation are included in the package



**Figure 1:** All accessories required for installation are included in the package, featuring the faucet, pop-up drain, and water supply hoses.

## SPECIFICATIONS

<b>Brand</b>	YOURLITE
<b>Model Number</b>	USBA20070
<b>Material</b>	Tempered Glass (Sink), Zinc Alloy/Brass (Drain), Metal (Faucet)
<b>Sink Dimensions (D x W x H)</b>	16.5" x 16.5" x 5.5"
<b>Glass Thickness</b>	0.5 inches
<b>Drain Type</b>	Pop-Up (Without Overflow)
<b>Faucet Flow Rate</b>	1.5 GPM (Gallons Per Minute)

Item Weight

Approximately 18.6 pounds

## Product Size

Unit: inch



### Basin

Material:	low Lead Tempered Glass
Style:	Top Mounted Vessel Bowl
Package:	Integrated Foam /pp bag
Artifact:	Artificial Casting, Glossy Glaze
Size:	16.5-Inch Diameter 5.125-Inch Deep



0.5" thick tempered glass



scratch resistant  
curving edge



windshield tempered glass



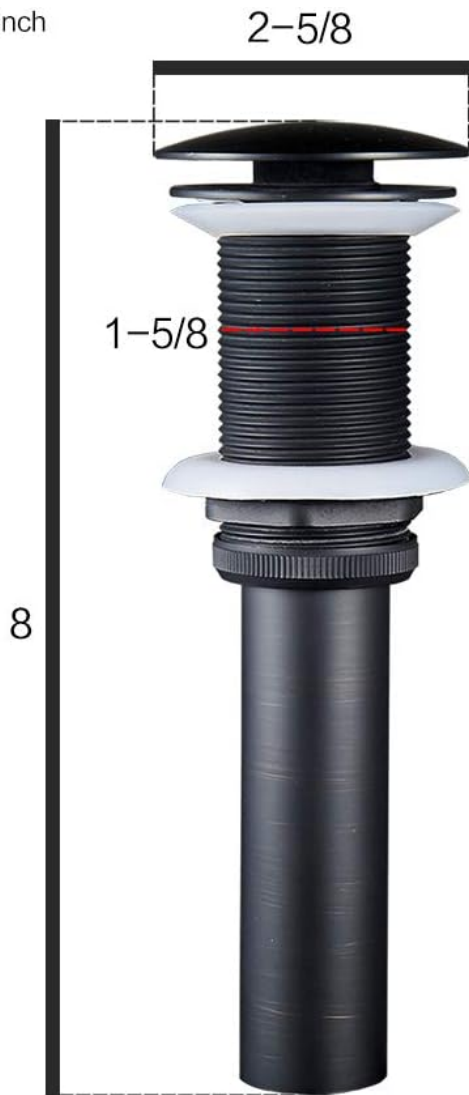
2912° F firing



oil-free

**Figure 2:** Detailed dimensions of the YOURLITE Square Blue Tempered Glass Vessel Sink, showing a diameter of 16.5 inches and a height of 5.5 inches with 0.5-inch thick glass.

Unit:inch



## POP UP DRAIN

### Material:

Zinc Alloy Shell / Solid Brass Structure

### Style:

Without Overflow

### PACKAGE:

Paper Carton / Nylon Bag / pp Bag / Contained Within Vessel Foam

### ARTIFACT:

Oil Rubbed Bronze (ORB) With Pull Siki Finish

### Size:

8-Inch High / 2-5/8 Inch Wide

**Figure 3:** Dimensions of the pop-up drain, indicating an 8-inch height and 2-5/8 inch width, made from zinc alloy shell and solid brass structure.

## SETUP AND INSTALLATION

Follow these steps carefully for proper installation. It is recommended to have a second person assist during certain stages.

### 1. Prepare the Countertop:

Ensure your countertop is clean, dry, and level. Mark the desired location for the sink and faucet. You will need to drill a hole for the drain and a separate hole for the faucet if not pre-drilled. Refer to the sink and faucet base dimensions for accurate hole placement.

### 2. Install the Faucet:

Insert the faucet into the designated hole on the countertop. Secure it from underneath using the provided mounting hardware (gasket, washer, and nut). Connect the hot and cold water supply hoses to the faucet and then to your home's water supply lines. Ensure all connections are hand-tightened, then gently tighten with a wrench, being careful not to overtighten.

### 3. Install the Pop-Up Drain:

Apply a bead of plumber's putty or silicone sealant around the underside of the drain flange. Insert the drain into the sink's drain hole. From underneath the sink, place the rubber washer, friction washer, and then tighten the lock nut onto the drain body. Connect the drain to your P-trap assembly.

#### 4. Position the Vessel Sink:

Carefully place the tempered glass vessel sink over the drain assembly on the countertop. Ensure it is centered and aligned as desired. Apply a thin bead of silicone sealant around the base of the sink where it meets the countertop to secure it and prevent water from seeping underneath.

#### 5. Test for Leaks:

Once all components are installed and sealed, turn on the main water supply. Slowly open the faucet and check all connections (faucet hoses, drain assembly) for any signs of leaks. Tighten any leaking connections as necessary.



**Figure 4:** The complete YOURLITE vessel sink combo, including the square blue tempered glass sink, black faucet, and pop-up drain, ready for installation.



**Figure 5:** Various perspectives of the vessel sink, showcasing its square shape, blue tempered glass, and the integrated faucet and drain.

## OPERATING INSTRUCTIONS

---

Using your new vessel sink and faucet is straightforward:

- **Water Flow:** The single-handle faucet controls both water temperature and flow. Lift the handle to increase water flow.
- **Temperature Control:** Move the handle left for hot water and right for cold water. Adjust to your desired temperature.
- **Pop-Up Drain:** Press the top of the drain to close it and retain water in the sink. Press again to open it and allow water to drain.



**Figure 6:** The blue tempered glass vessel sink in operation, with water flowing from the faucet, illustrating its functional use in a bathroom setting.

## MAINTENANCE

---

Regular cleaning and proper care will help maintain the appearance and functionality of your sink combo.

- **Glass Sink:** Clean the tempered glass sink with a soft cloth and a mild, non-abrasive glass cleaner. Avoid harsh chemicals, abrasive pads, or scouring powders, as these can scratch or damage the glass surface.
- **Faucet:** Wipe the faucet with a soft, damp cloth. For stubborn water spots, use a mild soap solution and rinse thoroughly. Do not use abrasive cleaners, polishes, or waxes on the faucet finish.
- **Drain:** Periodically remove the pop-up drain stopper and clean any accumulated debris to ensure proper drainage.
- **General:** Wipe with a dry cloth after each use to prevent water spots and mineral buildup.

## TROUBLESHOOTING

---

Problem	Possible Cause	Solution
---------	----------------	----------

Problem	Possible Cause	Solution
<b>Water Leakage</b>	Loose connections, worn seals, improper sealant application.	Check and tighten all water supply and drain connections. Inspect seals and replace if damaged. Reapply plumber's putty or silicone sealant if necessary.
<b>Low Water Flow</b>	Clogged aerator, partially closed shut-off valves, debris in supply lines.	Remove and clean the faucet aerator. Ensure hot and cold water shut-off valves are fully open. Flush supply lines if debris is suspected.
<b>Slow Drainage</b>	Debris in the pop-up drain or P-trap.	Remove the pop-up drain stopper and clean out any hair or debris. If the issue persists, inspect and clean the P-trap.
<b>Faucet Drips</b>	Worn cartridge.	Contact customer support for a replacement cartridge.

## WARRANTY INFORMATION

---

YOURLITE products are manufactured to high-quality standards and are warranted to be free from defects in materials and workmanship under normal use and service. Specific warranty terms and duration may vary. Please retain your proof of purchase for warranty claims. For detailed warranty information, please visit the official YOURLITE website or contact customer support.

## CUSTOMER SUPPORT

---

If you have any questions, require assistance with installation, or need to report a missing or damaged part, please contact YOURLITE customer support:

- **Website:** [Visit the YOURLITE Store on Amazon](#)
- **Email:** Refer to your product packaging or the YOURLITE website for direct contact information.
- **Phone:** Refer to your product packaging or the YOURLITE website for direct contact information.

Please have your model number (USBA20070) and proof of purchase ready when contacting support.