

[Manuals.plus](#) /

› [Relaxdays](#) /

› Relaxdays Rolling Garment Rack with 2 Clothes Rails Instruction Manual

Relaxdays 10023767

Relaxdays Rolling Garment Rack with 2 Clothes Rails - Instruction Manual

Model: 10023767

PRODUCT OVERVIEW

The Relaxdays Rolling Garment Rack is designed to provide versatile and mobile storage for your clothing and footwear. Featuring two adjustable clothes rails and a dedicated shoe shelf, this rack helps organize your space efficiently in a bathroom, hallway, or bedroom.





Image: The Relaxdays Rolling Garment Rack, fully assembled and loaded with various garments on hangers and shoes on the bottom shelf.

- **Versatile Storage:** Ideal for organizing clothes and shoes in various rooms.
- **Adjustable Design:** Stainless steel bars can be adjusted in both height and width.
- **Mobile Functionality:** Equipped with 360-degree swivel casters for easy movement.
- **Integrated Shoe Shelf:** A black non-woven fabric shelf provides space for up to 3 pairs of shoes.
- **Tool-Free Assembly:** Designed for straightforward assembly without the need for additional tools.

SETUP INSTRUCTIONS

Follow these steps for quick and easy assembly of your garment rack. No tools are required.

1. **Unpack Components:** Carefully remove all parts from the packaging and verify against the included parts list (if provided).

2. **Attach Casters:** Insert the four swivel casters into the designated slots on the base frame. Ensure they are securely fitted.

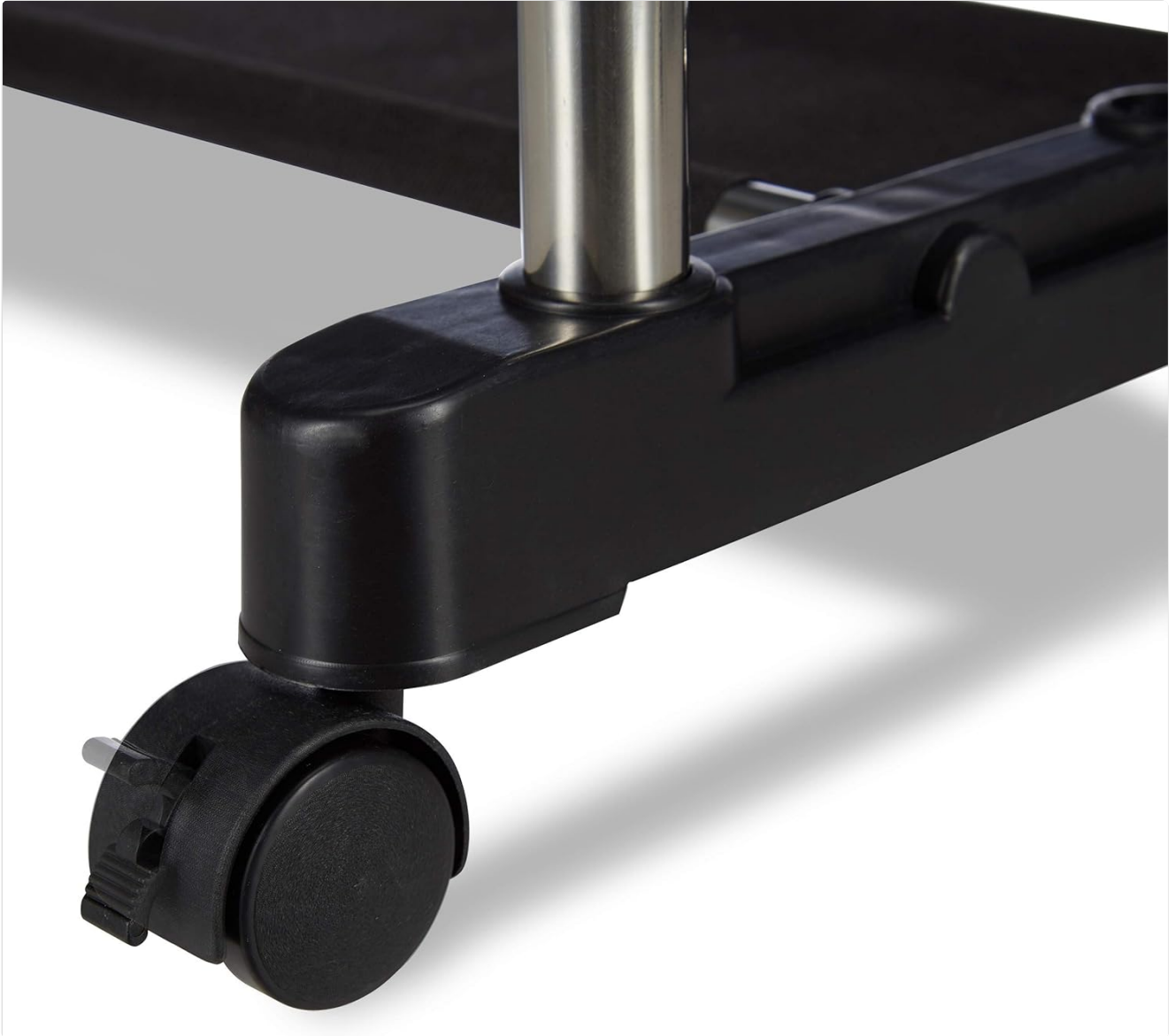


Image: A close-up view of one of the swivel casters attached to the base of the garment rack, showing its locking mechanism.

3. **Assemble Vertical Poles:** Connect the lower vertical poles to the base. Then, attach the upper vertical poles, ensuring they are firmly seated.
4. **Install Clothes Rails:** Insert the two stainless steel clothes rails into the top connectors of the vertical poles.



Image: A detailed view of the adjustable mechanism for the clothes rails, showing how they connect and extend.

5. **Attach Shoe Shelf:** Place the black non-woven fabric shoe shelf onto the lower support bars, ensuring it is taut and properly positioned.



Image: A close-up texture shot of the black non-woven fabric used for the shoe shelf.

6. **Adjust Height and Width:** Loosen the swivel joints on the clothes rails to adjust their height and width as desired. Tighten the joints to secure the position.

Once assembled, ensure all connections are secure before loading the rack with items.

OPERATING INSTRUCTIONS

The Relaxdays Rolling Garment Rack is designed for straightforward use.

- **Hanging Clothes:** Use standard hangers to place garments on the two clothes rails. Distribute weight evenly to maintain stability.
- **Adjusting Dimensions:** To adjust the height or width of the clothes rails, loosen the black swivel joints, slide the rails to the desired position, and then firmly tighten the joints.



Image: A diagram illustrating the adjustable height (94-162 cm) and width (92-150 cm) of the garment rack, with a fixed depth of 48 cm.

- **Using the Shoe Shelf:** Place up to three pairs of shoes on the non-woven fabric shelf at the base of the rack.
- **Moving the Rack:** Unlock the casters (if applicable) and gently push the rack to its new location. Relock the casters to secure the rack in place.

Important: Do not exceed the maximum load capacity of 21 kg to ensure stability and product longevity.

MAINTENANCE

Regular maintenance will help prolong the life of your garment rack.

- **Cleaning:** Wipe down the stainless steel poles and plastic components with a soft, damp cloth. Avoid abrasive cleaners.
- **Fabric Shelf Care:** The non-woven fabric shelf can be spot cleaned with a mild detergent if necessary. Allow to air dry completely.
- **Caster Maintenance:** Periodically check the casters for any accumulated debris (e.g., hair, lint) and clean as

needed to ensure smooth rolling.

- **Joint Inspection:** Ensure all adjustable joints remain tight. Retighten if any looseness is observed.
- **Humidity Resistance:** The materials used are resistant to humidity, making it suitable for various indoor environments.

TROUBLESHOOTING

If you encounter any issues with your garment rack, refer to the following common solutions:

Problem	Possible Cause	Solution
Rack is unstable or wobbly.	Loose connections; uneven weight distribution; overloaded.	Ensure all joints and pole connections are tightened. Redistribute clothing evenly. Do not exceed 21 kg load capacity.
Casters do not roll smoothly.	Debris caught in wheels; casters locked.	Clean any hair or lint from the caster wheels. Unlock the casters if they are engaged.
Clothes rails slide down after adjustment.	Swivel joints not tightened sufficiently.	Firmly tighten the swivel joints after adjusting the height.

SPECIFICATIONS

Brand	Relaxdays
Model Number	10023767
Material	50% Stainless Steel, 40% Plastic (PP), 10% Non-woven Fabric
Color	Silver/Black
Minimum Dimensions (H x W x D)	Approx. 94 x 92 x 48 cm
Maximum Dimensions (H x W x D)	Approx. 162 x 150 x 48 cm
Shoe Shelf Dimensions (W x D)	Approx. 66 x 17.5 cm
Product Weight	Approx. 2.1 kg
Maximum Load Capacity	21 kg
Installation Type	Freestanding
Special Feature	Expandable
Country of Origin	Germany

WARRANTY AND SUPPORT

Information regarding specific warranty terms for the Relaxdays Rolling Garment Rack is not available in the provided product details. For support or inquiries regarding spare parts, please contact Relaxdays customer service directly.

Spare parts information is currently unavailable.

© 2025 Relaxdays. All rights reserved.