

[Manuals.plus](#) /

> [GROHE](#) /

> Grohe 24075000 Thermostatic Shower Mixer - Chrome, 24076000

## GROHE 24076000

# GROHE GrohTherm Dual Function Thermostatic Shower Mixer

Model: 24076000

## INTRODUCTION

---

The GROHE GrohTherm Dual Function 2-Handle Thermostatic Trim with Control Module is designed to enhance your bathroom experience with its slim profile and intuitive design. This contemporary shower mixer features an upper handle with an integrated 2-way diverter, allowing seamless switching between a shower head and a hand shower. The lower handle precisely controls the water temperature. Equipped with GROHE TurboStat technology, it maintains a consistent temperature, while GROHE SafeStop prevents scalding, ensuring comfort and safety.

## SAFETY INFORMATION

---

Please read all instructions carefully before installation and use. Failure to follow these instructions may result in injury or property damage.

- **Professional Installation Recommended:** Installation should be performed by a qualified professional in accordance with local plumbing and building codes.
- **Water Temperature:** Always test water temperature before use to prevent scalding, especially for children and the elderly. The SafeStop feature is set to 38°C (100.4°F) to prevent accidental scalding.
- **Pressure Requirements:** Ensure your water system meets the minimum and maximum pressure requirements specified in the technical data.
- **Cleaning Agents:** Do not use abrasive cleaners, scouring pads, or solvents, as these can damage the chrome finish. Refer to the Maintenance section for proper cleaning instructions.
- **Maintenance:** Regular maintenance and inspection are recommended to ensure optimal performance and safety.

## PACKAGE CONTENTS

---

Verify that all components are present before beginning installation:

- GrohTherm Dual Function Thermostatic Trim (Chrome)
- Control Module (requires separate purchase/installation of GROHE Rapido SmartBox 35600000)
- Mounting Hardware
- Instruction Manual

*Note: The GROHE Rapido SmartBox (model 35600000) is an essential rough-in body required for the installation of this trim and is sold separately.*

## SETUP AND INSTALLATION

---

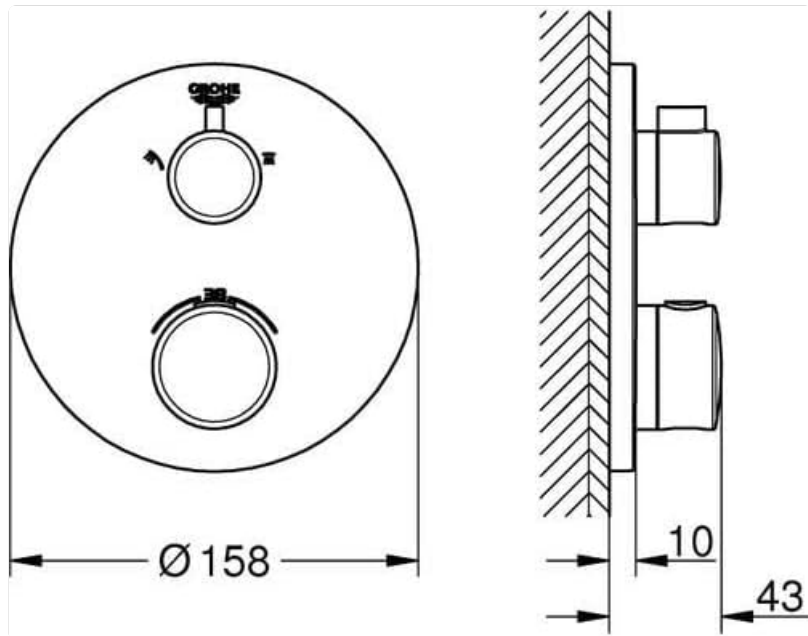
Proper installation is critical for the functionality and longevity of your thermostatic shower mixer. It is highly recommended that installation be carried out by a certified plumber.

### Before Installation

- Ensure the main water supply to the bathroom is turned off.
- Confirm that you have the GROHE Rapido SmartBox (model 35600000) already installed in the wall. This trim set is designed to fit onto this specific rough-in body.
- Gather all necessary tools: screwdriver, adjustable wrench, level, measuring tape, sealant tape.
- Inspect all components for any damage before starting.

### Installation Steps

1. **Prepare the Rough-in:** Ensure the GROHE Rapido SmartBox is securely installed and flushed with the finished wall surface.
2. **Attach the Functional Unit:** Carefully align the functional unit of the trim set with the SmartBox. Ensure all connections are properly seated.
3. **Secure the Trim Plate:** Place the chrome trim plate over the functional unit. Secure it to the wall using the provided screws. Ensure it is level and flush against the wall.
4. **Install Handles:** Attach the upper diverter handle and the lower temperature control handle. Ensure they are correctly oriented and secured. The temperature handle has a safety stop at 38°C.
5. **Test Connections:** Slowly turn on the main water supply and check for any leaks.
6. **Calibrate Temperature (if necessary):** If the water temperature is not accurate, refer to the SmartBox manual or consult a professional for calibration.



**Figure 1: Technical Diagram with Dimensions.** This diagram illustrates the front and side views of the shower mixer, including key dimensions for installation planning. The overall diameter is approximately 158mm, and the projection from the wall is about 43mm, with a 10mm recess for the trim plate.



**Figure 2: Side Profile View.** This image shows the slim profile of the Grohe thermostatic shower mixer when installed, highlighting its minimal projection from the wall.

## OPERATING INSTRUCTIONS

---

Your GROHE GrohTherm shower mixer is designed for intuitive and precise control of water flow and temperature.

## Temperature Control

The lower handle controls the water temperature. Rotate the handle to adjust the temperature. The integrated GROHE SafeStop button is set at 38°C (100.4°F) to prevent accidental scalding. To exceed this temperature, press and hold the SafeStop button while rotating the handle further.



**Figure 3: Front View of Controls.** This image displays the front of the shower mixer, clearly showing the upper diverter handle and the lower temperature control handle with its 38°C safety stop indicator.



**Figure 4: Adjusting Temperature.** A hand is shown adjusting the lower temperature control handle, demonstrating the ease of operation for setting desired water temperature.

## Diverter Function

The upper handle functions as a 2-way diverter, allowing you to switch between two water outlets, typically a main shower head and a hand shower. Rotate the handle to select the desired outlet. The icons on the handle indicate the active spray pattern or outlet.

## MAINTENANCE

---

To maintain the pristine appearance and optimal performance of your GROHE shower mixer, follow these cleaning and care guidelines.

### Cleaning

- **Mild Soap and Water:** Clean the chrome surfaces regularly with a soft cloth and mild soap and water.

- **Rinse Thoroughly:** After cleaning, rinse the surfaces thoroughly with clean water to remove any soap residue.
- **Dry with Soft Cloth:** Dry the mixer with a soft, non-abrasive cloth to prevent water spots and maintain its shine.
- **Avoid Harsh Cleaners:** Do not use abrasive cleaners, acidic cleaners, scouring pads, or solvents, as these can damage the chrome finish and internal components.

## Care

- **Regular Use:** Operate the handles periodically to prevent mineral buildup and ensure smooth operation.
- **Check for Leaks:** Periodically inspect for any signs of leaks around the trim plate or handles. Address any leaks promptly to prevent water damage.
- **Professional Inspection:** Consider a professional inspection every few years to ensure all internal components are functioning correctly.

## TROUBLESHOOTING

If you encounter issues with your GROHE thermostatic shower mixer, refer to the table below for common problems and solutions.

Problem	Possible Cause	Solution
Inconsistent water temperature	Pressure fluctuations in hot/cold water supply; Thermostatic cartridge issue; Mineral buildup.	Check water pressure; Clean or replace thermostatic cartridge (professional recommended); Descale the system.
Water not hot enough (stuck at 38°C)	SafeStop button engaged.	Press and hold the SafeStop button while rotating the temperature handle to increase temperature beyond 38°C.
Low water flow	Clogged aerator/shower head; Blockage in pipes; Low water pressure.	Clean or replace aerator/shower head; Check for pipe blockages; Verify adequate water pressure.
Diverter not switching properly	Diverter cartridge issue; Mineral buildup.	Clean or replace diverter cartridge (professional recommended).
Leaking from handles or trim plate	Loose connections; Damaged O-rings or seals; Improper installation.	Tighten connections; Replace O-rings/seals; Re-install correctly (professional recommended).

*If the problem persists after attempting these solutions, please contact GROHE customer support or a qualified plumber.*

## SPECIFICATIONS

Feature	Detail
Brand	GROHE
Model Number	24076000

Feature	Detail
Mounting Type	Wall Mount
Finish Type	Polished Chrome
Material	Brass (Handle Material), Metal (General)
Number of Handles	2 (Dual Function)
Handle Type	Lever
Style	Shower tap thermostat
Installation Type	Single Hole (requires GROHE Rapido SmartBox 35600000)
Item Weight	3.56 pounds (approx. 1.62 kg)
Product Dimensions	9.65 x 7.87 x 7.09 inches
Safety Feature	GROHE SafeStop (38°C/100.4°F override)
Temperature Stability	GROHE TurboStat technology

## WARRANTY AND SUPPORT

---

GROHE products are manufactured to the highest standards and undergo rigorous quality checks. For specific warranty information regarding your GrohTherm Dual Function Thermostatic Shower Mixer, please refer to the warranty card included with your product or visit the official GROHE website.

For technical assistance, spare parts, or any other inquiries, please contact GROHE customer support. You can find contact details on the official GROHE website or through your local distributor.

### Online Resources:

- [GROHE Official Website](#)
- [Visit the GROHE Store on Amazon](#)