

Manuals+

[Q & A](#) | [Deep Search](#) | [Upload](#)

manuals.plus /

- › [Speedway Motors](#) /
- › [Speedway Motors Vega Power Cross Steering Gear Box Combo Instruction Manual](#)

Speedway Motors 9102340

Speedway Motors Vega Power Cross Steering Gear Box Combo Instruction Manual

Model: 9102340

1. PRODUCT OVERVIEW

The Speedway Motors Vega Power Cross Steering Gear Box Combo is a compact power steering solution designed for classic trucks. It serves as a direct bolt-in replacement for existing manual Vega cross steer setups, offering enhanced steering performance. This combo includes the power steering box, a Vega steering box mount, and a pitman arm.



Figure 1.1: The Vega Power Cross Steering Gear Box Combo, including the gear box, pitman arm, and mounting bracket.

Key features include a 13.6:1 steering ratio, common GM power steering hose fittings (11/16"-18 pressure and 5/8"-18 return inverted flare lines), a 32-4 master output spline (compatible with GM 525/605 arms), and a 3/4"-30 input spline for the U-joint.

2. SETUP AND INSTALLATION

This power steering box is designed as a direct bolt-in replacement for an existing manual Vega cross steer setup. No additional modifications or frame bracket alterations are typically required for the frame bracket itself.

2.1 Components Included

- (1) Vega Power Steering Box
- (1) Vega Steering Box Mount
- (1) Pitman Arm



Figure 2.1: Detailed view of the Vega Power Steering Gear Box.

2.2 Required Additional Parts (Not Included)

While the box bolts directly to the manual Vega box frame bracket, certain components must be acquired separately:

- **U-Joints:** Requires a 3/4"-30 coupler (e.g., 910-32280) or U-joint (e.g., 910-32293).
- **Pitman Arm:** This power box utilizes a common GM power steering pitman arm or a reproduction arm (e.g., 910-23401) with 32 & 4 spline, similar to those used with 525/605 boxes. **Note:** The manual Vega box pitman arm is NOT compatible and cannot be used.
- **Hoses:** Requires 11/16" & 5/8" inverted flare hoses (e.g., 617-4837 or 910-32525).



Figure 2.2: The included Vega Steering Box Mount Bracket.

2.3 Dimensional Information

Refer to the following diagrams for approximate dimensions of the steering gear box. Due to casting variations, these values are approximate, and the actual part may vary slightly.

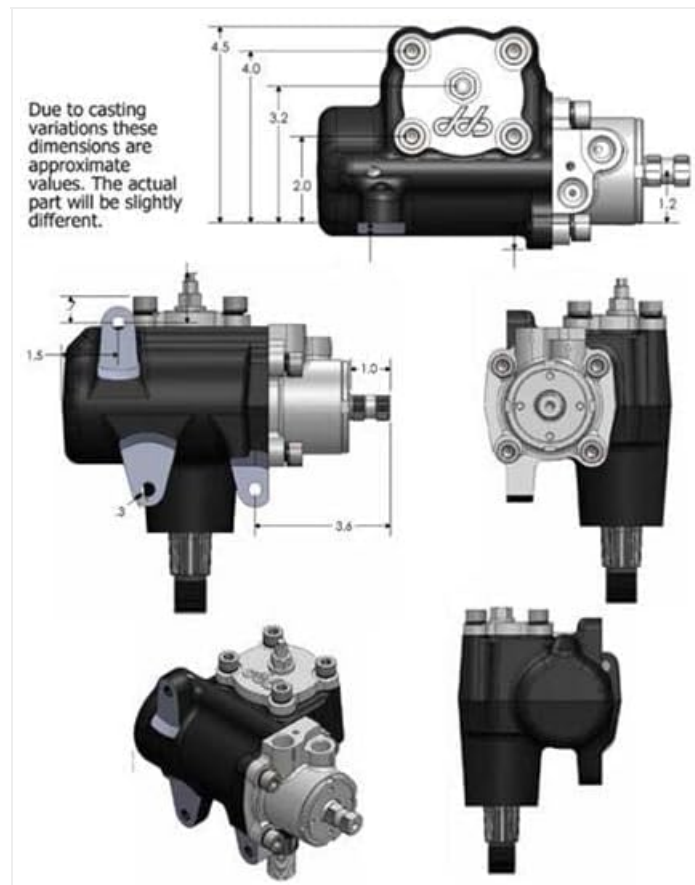


Figure 2.3: Approximate dimensions of the Vega Power Steering Gear Box.

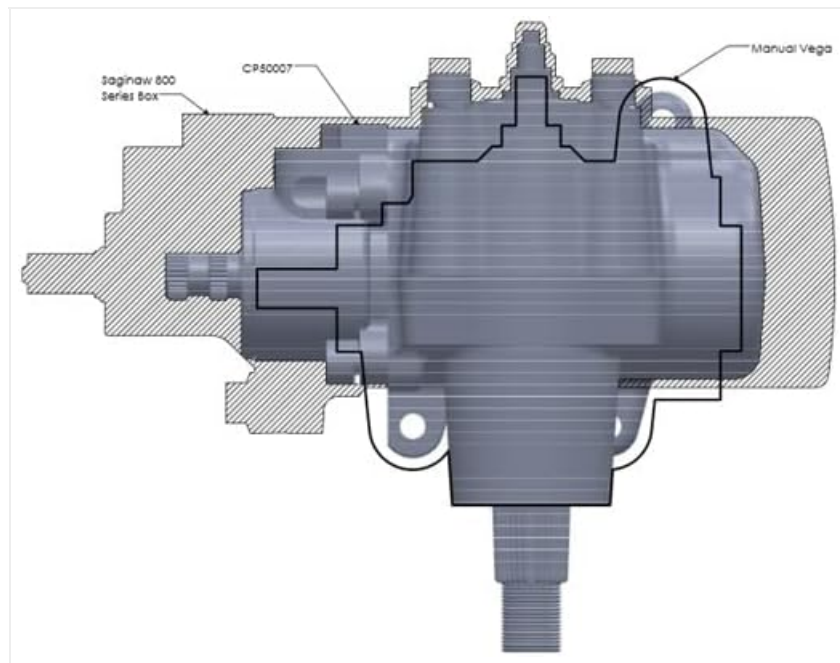


Figure 2.4: Comparison of the Vega Power Steering Gear Box with other steering box types (Saginaw 800 Series, Manual Vega).

It is recommended that installation be performed by a qualified automotive technician to ensure proper fitment and safe operation.

3. OPERATING PRINCIPLES

The Vega Power Cross Steering Gear Box converts the rotational motion of the steering wheel into the linear motion required to turn the vehicle's wheels, with hydraulic assistance to reduce steering effort. The 13.6:1 steering ratio indicates that for every 13.6 degrees of steering wheel rotation, the road wheels turn 1 degree, providing a responsive steering feel.

4. MAINTENANCE

Regular inspection of all steering components, including the gear box, hoses, and connections, is crucial for safe operation. Check for any signs of leaks, loose fittings, or unusual wear. Ensure that the power steering fluid level is maintained according to your vehicle's manufacturer specifications. Consult a professional mechanic for any concerns regarding the steering system.

5. TROUBLESHOOTING

If you experience issues such as increased steering effort, unusual noises, or fluid leaks, it is recommended to immediately consult a qualified automotive technician. Attempting repairs without proper knowledge and tools can lead to further damage or safety hazards. Ensure all connections are secure and fluid levels are correct before seeking professional assistance.

6. SPECIFICATIONS

Feature	Detail
Model Number	9102340
Steering Ratio	13.6:1
Pressure Port	11/16"-18 Inverted Flare

Feature	Detail
Return Port	5/8"-18 Inverted Flare
Output Spline	32-4 Master (GM 525/605 arms compatible)
Input Spline	3/4"-30
Construction Material	Cast Iron
Item Weight	25 pounds
Product Dimensions	1 x 1 x 1 inches (Note: These are likely package dimensions, refer to diagrams for component dimensions)

7. WARRANTY INFORMATION

Specific warranty details for the Speedway Motors Vega Power Cross Steering Gear Box Combo are not provided in this manual. Please refer to the manufacturer's official website or contact Speedway Motors directly for comprehensive warranty terms and conditions.

8. SUPPORT AND CONTACT

For further assistance, technical support, or inquiries regarding this product, please contact Speedway Motors directly. You can visit their official store for more information: [Speedway Motors Store on Amazon](#)

9. OFFICIAL PRODUCT VIDEOS

No official product videos from the seller are available for this item at this time.

