

Manuals+

[Q & A](#) | [Deep Search](#) | [Upload](#)

manuals.plus /

- › [Barrow](#) /
- › [Barrow TX360PZb G1/4" 360 Degree Rotation Offset Adapter User Manual](#)

Barrow TX360PZb

Barrow TX360PZb G1/4" 360 Degree Rotation Offset Adapter User Manual

Model: TX360PZb

1. PRODUCT OVERVIEW

The Barrow TX360PZb G1/4" 360 Degree Rotation Offset Adapter is a specialized fitting designed for custom PC water cooling systems. It provides a crucial 6mm offset adjustment and full 360-degree rotation, enabling precise alignment of hard tubing runs. This adapter is crafted from durable brass and features a G1/4" thread for universal compatibility with most water cooling components.

TX360PZ

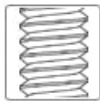
Barrow G1/4" 360° rotation offset adapter



TX360PZ



Brass material



G1/4" thread



Non slip diamond patterns



Lightweight

◇ Products information

Mode: TX360PZ	Color: Black/White/Shiny silver
Quantity: 1PCS	Thread: G1/4"
Material: Brass	Dimensions: Please refer to the dimension drawing
Application: Suitable for correcting the nozzle deviation within 6MM.	
Note: In case of product appearance structure upgrade,without further notice,in kind prevail	

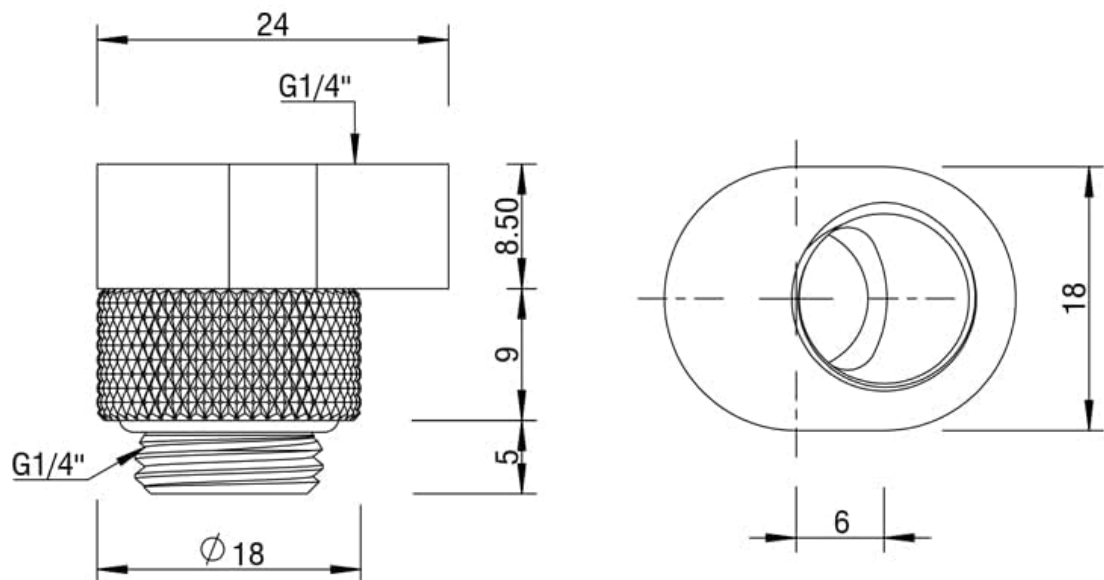
This image displays the Barrow TX360PZb G1/4 inch 360 Degree Rotation Offset Adapter. Key features visible include the G1/4 inch thread for standard water cooling systems, non-slip diamond patterns for improved grip during installation, and its durable brass material. The adapter is designed to correct nozzle deviation within 6mm, offering flexible alignment for water cooling loops.

2. SPECIFICATIONS

Feature	Detail
Model Number	TX360PZb

Feature	Detail
Thread Size	G1/4"
Material	Brass
Color	Black
Offset Adjustment	Up to 6mm
Rotation	360 Degrees
Dimensions (L x W x H)	3.94 x 1.97 x 0.5 inches (approx. 100 x 50 x 12.7 mm)
Item Weight	1.12 ounces (approx. 31.75 grams)

Appearance size



DIMENSION IN MM

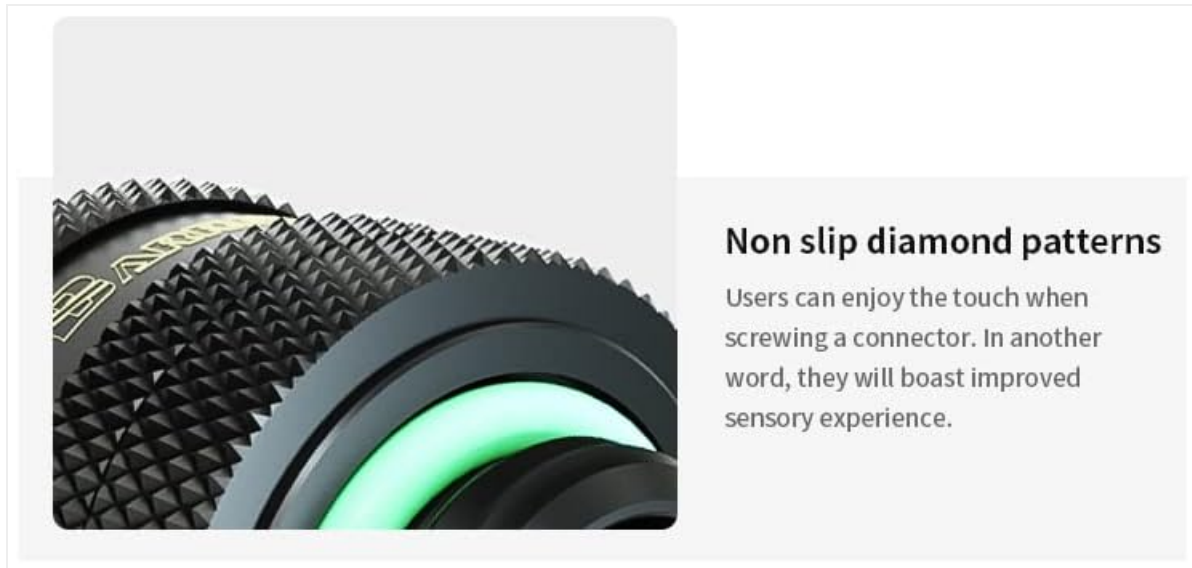
A detailed technical drawing illustrating the dimensions of the Barrow TX360PZb adapter. It shows the G1/4 inch thread size, overall length, width, and the 6mm offset capability, providing precise measurements for planning your water cooling setup.

3. SETUP AND INSTALLATION

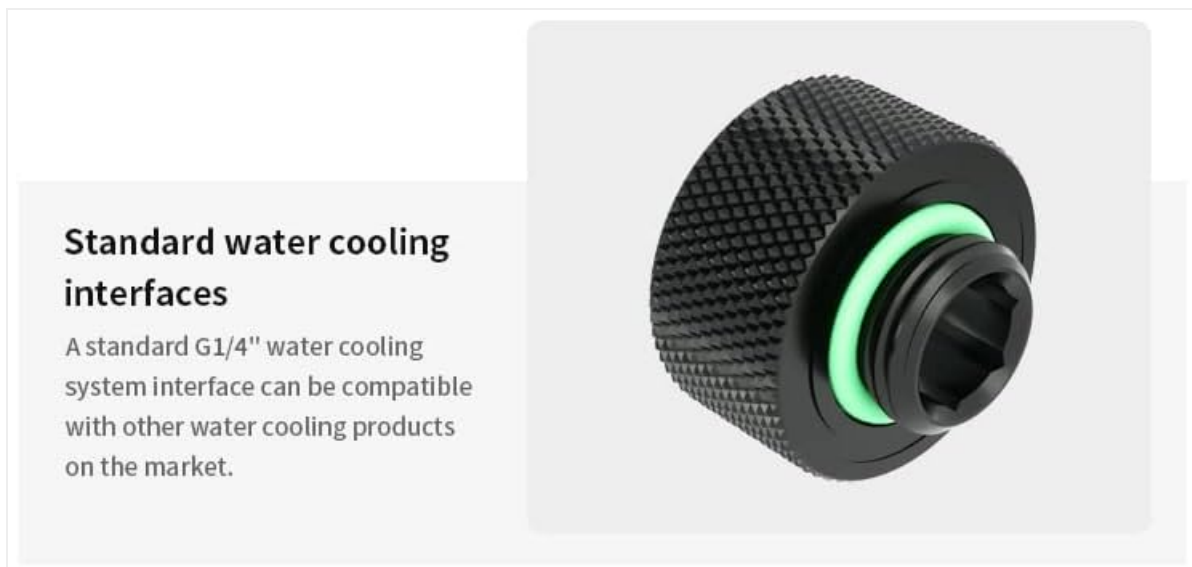
Follow these steps for proper installation of your Barrow TX360PZb offset adapter:

- Preparation:** Ensure all components of your water cooling loop are clean and free of debris. Inspect the adapter's O-rings for any damage or misalignment.
- Connection:** Screw the G1/4" male thread of the adapter into a compatible G1/4" female port on your water block, radiator, or pump. Hand-tighten until snug.
- Secure Tightening:** Use a fitting tool (if necessary and compatible with the adapter's design) to gently tighten the adapter an additional quarter turn. *Do not overtighten*, as this can damage the threads or O-rings and lead to leaks.

4. **Tubing Connection:** Connect your hard tubing or another fitting to the G1/4" female port of the offset adapter. Ensure a secure and leak-free connection.
5. **Leak Testing:** Before powering on your system, perform a thorough leak test of your entire water cooling loop.



This close-up image highlights the non-slip diamond patterns on the adapter's surface. These patterns enhance grip, making it easier to screw and unscrew the fitting during installation and adjustment, improving the user's tactile experience.



The image illustrates the standard G1/4 inch water cooling interface of the Barrow adapter. This universal threading ensures compatibility with a wide range of water cooling components available on the market, allowing for seamless integration into existing or new systems.

4. OPERATION

The Barrow TX360PZb adapter is designed for flexibility in your water cooling loop:

- **360-Degree Rotation:** Once installed, the adapter allows for full 360-degree rotation of the connected component or tubing. This feature is useful for fine-tuning the angle of your tubing runs without needing to unscrew the entire fitting.
- **6mm Offset Adjustment:** The internal mechanism provides up to 6mm of offset. This allows you to shift the connection point slightly to achieve perfectly parallel tubing runs or to clear obstructions. Adjust the offset by gently pulling or pushing the rotating section of the adapter while it is installed.

Always make adjustments carefully to avoid stressing other components or creating potential leak points.

5. MAINTENANCE

Proper maintenance ensures the longevity and performance of your adapter:

- **Regular Inspection:** Periodically inspect the adapter for any signs of wear, corrosion, or leaks, especially around the O-rings.
- **Cleaning:** If necessary, clean the exterior of the adapter with a soft, damp cloth. Avoid using abrasive cleaners or harsh chemicals, as these can damage the finish or material.
- **O-Ring Check:** During system maintenance or disassembly, check the O-rings for elasticity and integrity. Replace any O-rings that appear cracked, flattened, or damaged to prevent leaks.

6. TROUBLESHOOTING

If you encounter issues with your adapter, consider the following:

- **Leaks:**
 - Ensure the adapter is tightened correctly, but not overtightened.
 - Verify that the O-rings are properly seated and undamaged. Replace if necessary.
 - Confirm compatibility with other fittings and components.
- **Difficulty Rotating/Adjusting Offset:**
 - Check for any debris or foreign objects obstructing the rotation mechanism.
 - Ensure the adapter is not overtightened, which can restrict movement.
- **Improper Fit:**
 - Confirm that all connected components use the standard G1/4" thread.
 - Refer to the dimensions in the specifications section to ensure physical compatibility within your system.

7. WARRANTY AND SUPPORT

For warranty information, technical support, or further assistance with your Barrow TX360PZb G1/4" 360 Degree Rotation Offset Adapter, please refer to the manufacturer's official website or contact your original retailer. Keep your proof of purchase for any warranty claims.