



Manuals.plus /

› Honfitat /

› Honfitat 50 Knitting Machine Needles Instruction Manual for Brother KH820, KH830, KH860, KH881, KH868, KH940, KH970

Honfitat 642765

Honfitat Knitting Machine Needles Instruction Manual

Model: 642765 | Compatible with Brother KH820, KH830, KH860, KH881, KH868, KH940, KH970

1. INTRODUCTION

This manual provides essential instructions for the proper use, installation, and maintenance of your Honfitat knitting machine needles. These needles are designed for compatibility with various Brother knitting machine models, ensuring smooth operation and consistent knitting results. Please read this manual thoroughly before use to ensure optimal performance and longevity of the product.

2. SAFETY INFORMATION

- Always handle needles with care. The tips are sharp and can cause injury.
- Keep needles out of reach of children and pets.
- Ensure your knitting machine is turned off and unplugged before installing or removing needles.
- Do not use bent or damaged needles, as this can affect knitting quality and potentially damage your machine.
- Store needles in a dry, safe place to prevent rust and damage.

3. PRODUCT OVERVIEW

The Honfitat knitting machine needles are crafted from durable steel, designed for precision and longevity. Each package contains 50 individual needles, suitable for replacing worn or damaged needles in compatible knitting machines.

- **Material:** High-quality steel
- **Color:** Silver
- **Quantity:** 50 needles per pack

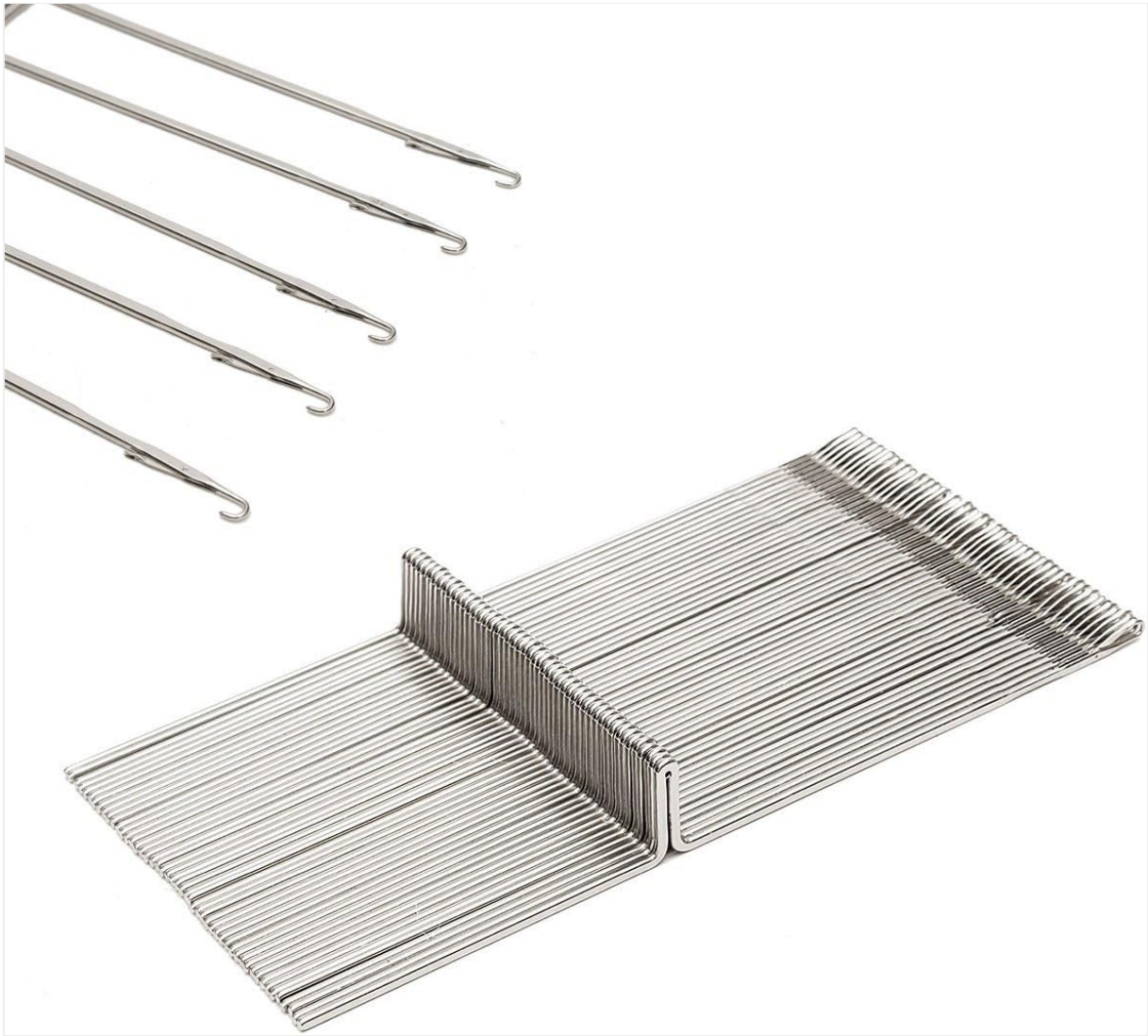


Figure 1: Overview of Honfitat knitting machine needles.

4. COMPATIBILITY

These needles are compatible with the following Brother knitting machine models:

- Brother KH820
- Brother KH830
- Brother KH831
- Brother KH836
- Brother KH840
- Brother KH860
- Brother KH864
- Brother KH868
- Brother KH871
- Brother KH881
- Brother KH890
- Brother KH891
- Brother KH892
- Brother KH900

- Brother KH910
- Brother KH930
- Brother KH940
- Brother KH950
- Brother KH970

Please verify your machine model before installation to ensure proper fit and function.

5. INSTALLATION AND SETUP

Follow these steps to install or replace needles in your knitting machine:

1. **Power Off:** Ensure your knitting machine is turned off and unplugged from the power source.
2. **Access Needle Bed:** Refer to your knitting machine's specific manual for instructions on how to safely access the needle bed. This may involve removing covers or carriages.
3. **Remove Old Needle (if replacing):** Carefully slide out the old or damaged needle from its slot. Note the orientation of the needle for correct replacement.
4. **Insert New Needle:** Gently slide a new Honfitat needle into the empty slot, ensuring it is correctly oriented and fully seated. The latch mechanism should face the front of the machine.
5. **Verify Placement:** Check that the new needle moves freely within its channel and that the latch opens and closes without obstruction.
6. **Repeat as Needed:** Install additional needles as required.
7. **Reassemble:** Reattach any covers or carriages that were removed.



Figure 2: Close-up view of the needle head, showing the latch mechanism.

6. OPERATING INSTRUCTIONS

Once the needles are installed, operate your knitting machine according to its manufacturer's instructions. These needles are designed to function identically to original Brother needles, providing reliable stitch formation.

- Ensure all needles are in the correct working position before starting to knit.
- Monitor the needles during operation for any signs of sticking or improper movement.
- If a needle appears to be malfunctioning, stop the machine immediately and inspect the needle.

7. MAINTENANCE

Proper maintenance extends the life of your needles and ensures consistent knitting quality.

- **Cleaning:** Periodically clean the needles and needle bed to remove lint, dust, and yarn fibers. A soft brush or compressed air can be used.
- **Lubrication:** Apply a small amount of knitting machine oil to the needle shanks and latches as recommended by your machine's manufacturer. This helps ensure smooth movement.
- **Inspection:** Regularly inspect needles for signs of wear, bending, or rust. Replace any damaged needles promptly.
- **Storage:** When not in use, store spare needles in their original packaging or a protective container in a dry environment to prevent corrosion.

8. TROUBLESHOOTING

If you encounter issues, consider the following common troubleshooting steps:

- **Skipped Stitches:**
 - Check if any needles are bent or have sticky latches. Replace or clean as necessary.
 - Ensure the yarn tension is appropriate for your project.
 - Verify the needle bed is clean and free of obstructions.
- **Needles Not Moving Smoothly:**
 - Clean the needle channels and lubricate the needles.
 - Check for bent needles that might be catching.
- **Rust on Needles:**
 - Ensure needles are stored in a dry environment.
 - Light surface rust can sometimes be removed with fine steel wool and oil, but heavily rusted needles should be replaced.

9. SPECIFICATIONS

Material	Steel
Color	Silver
Dimensions (L x W x H)	13.7 cm x 0.1 cm x 1.6 cm (5.39" x 0.04" x 0.63")
Weight per item	Approximately 2.4g (120g / 50 needles)
Quantity	50 pieces
Compatible Devices	Brother Knitting Machines (KH820, KH830, KH860, KH881, KH868, KH940, KH970, etc.)
Model Number	642765

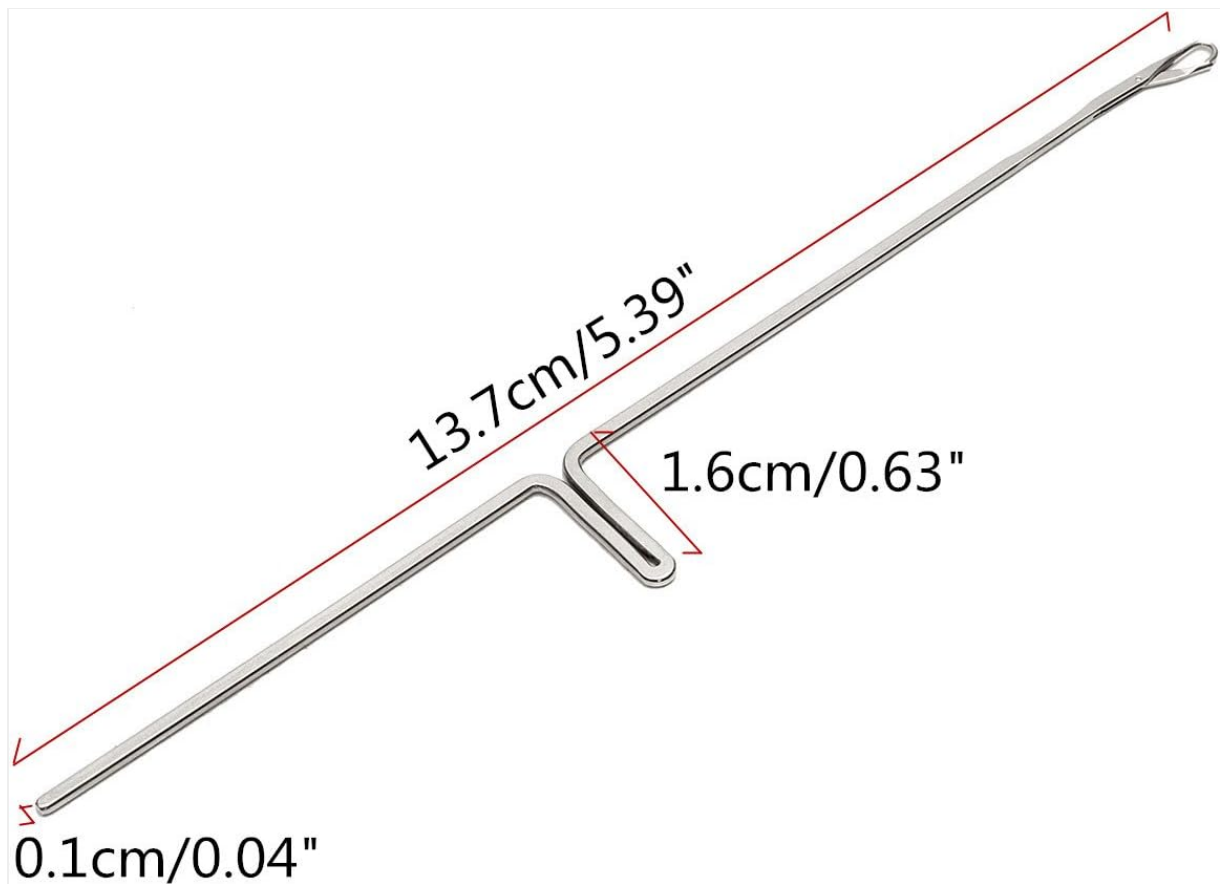


Figure 3: Detailed dimensions of a single needle.

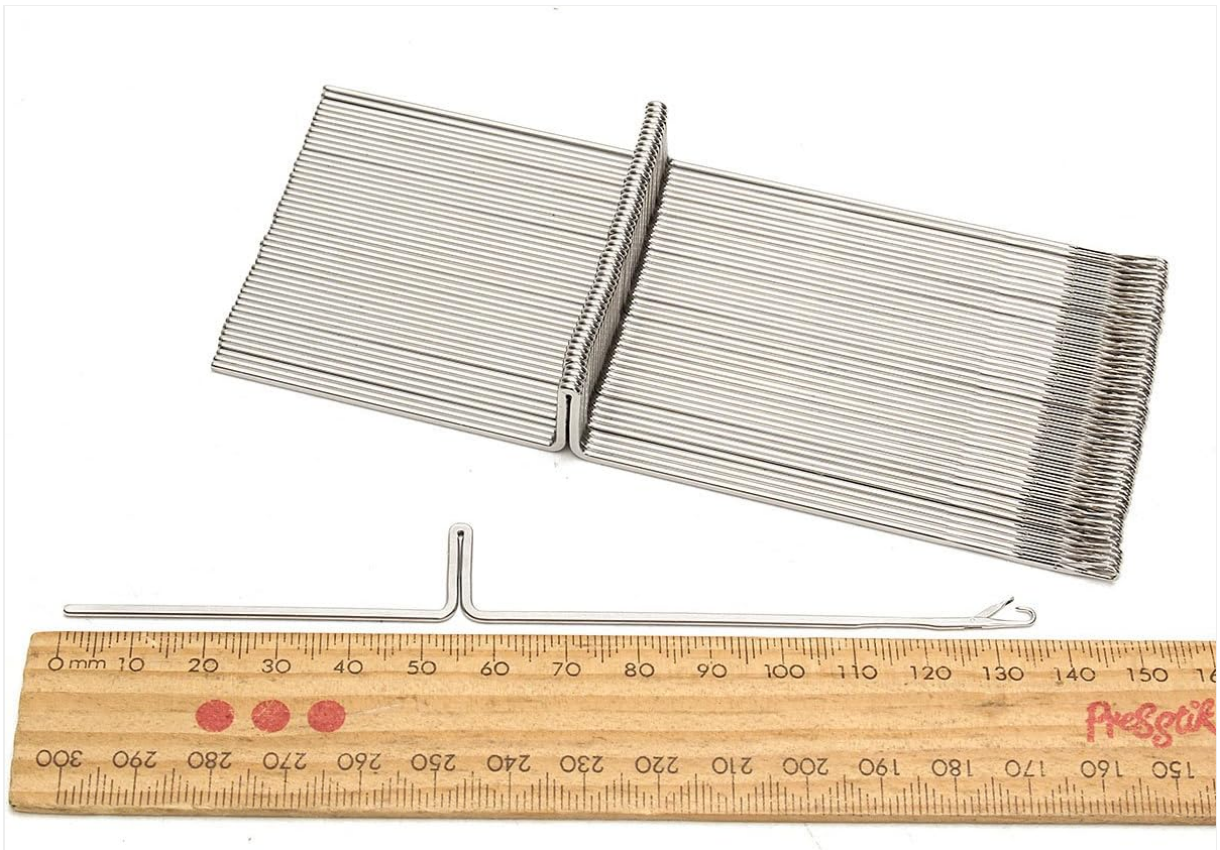


Figure 4: Needles displayed with a ruler for visual length reference.

10. WARRANTY AND SUPPORT

For any questions regarding the Honfitat knitting machine needles, please contact your retailer or the manufacturer directly. Keep your purchase receipt for warranty purposes, if applicable. Specific warranty details may vary by region and retailer.