



Manuals.plus /

- › AEG /
- › AEG IKB8443AXB Induction Hob User Manual

AEG 949597313

AEG IKB8443AXB Induction Hob

USER MANUAL

Introduction

This user manual provides comprehensive instructions for the safe and efficient operation, installation, and maintenance of your new AEG IKB8443AXB Induction Hob. Please read this manual carefully before using the appliance and keep it for future reference.

The AEG IKB8443AXB is an advanced 80 cm induction hob featuring four cooking zones, a stainless steel frame, and innovative functions designed to enhance your cooking experience. Key features include Hob²Hood function, Direct-Control, Power function, and various safety measures like child lock and automatic pot detection.

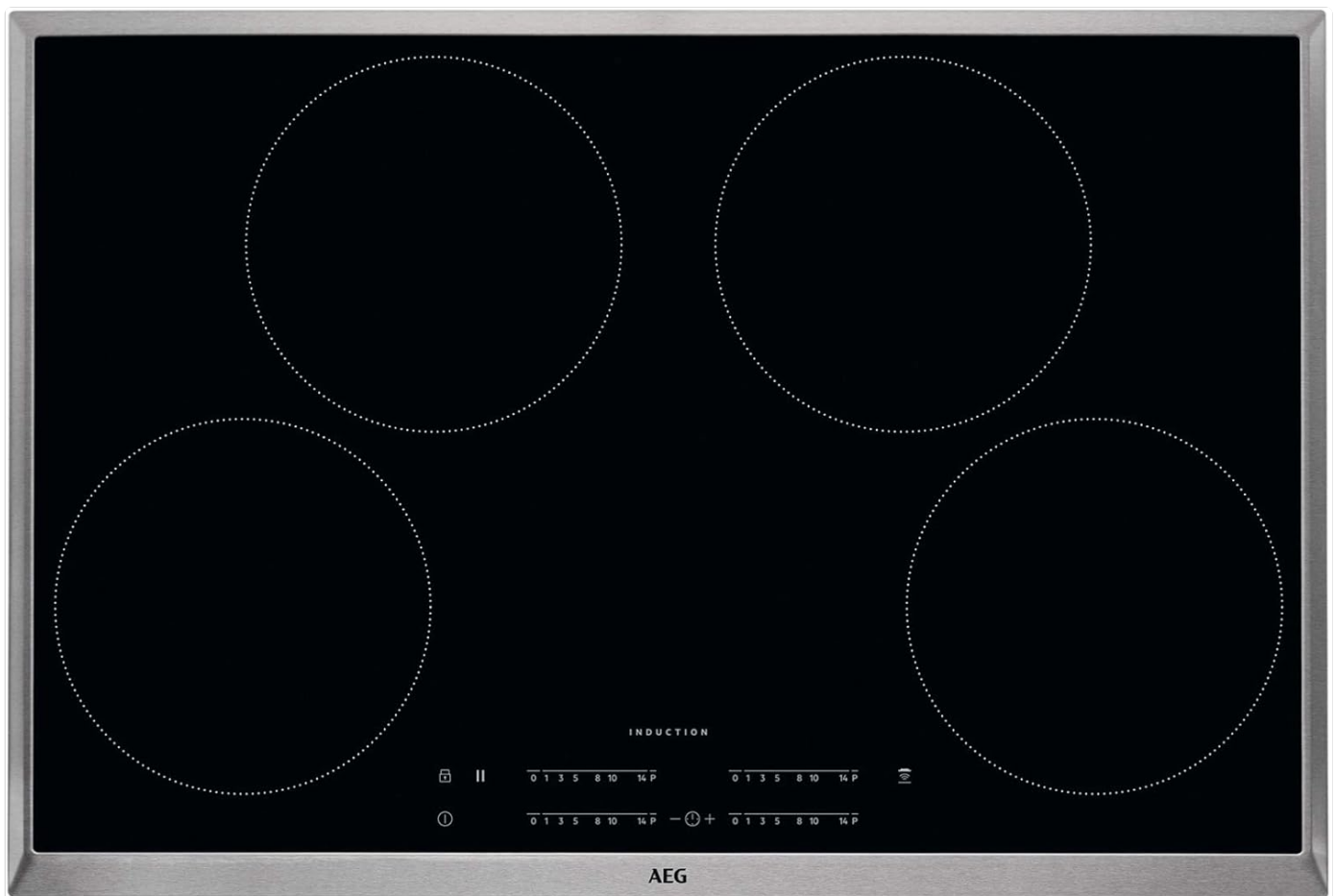


Figure 1: AEG IKB8443AXB Induction Hob Overview

Safety Information

- Ensure the appliance is installed by a qualified professional.
- Do not operate the hob with wet hands.
- Keep children away from the appliance during operation.
- Do not place metallic objects on the induction zones.
- Always switch off the appliance after use.
- Refer to the "Troubleshooting" section for any operational issues.

Setup and Installation

The AEG IKB8443AXB induction hob is designed for built-in installation. Proper installation is crucial for safety and optimal performance.

Installation Requirements

- **Installation Type:** Built-In, overlay.
- **Connected Load:** 7350 watts.
- **Voltage:** 220-240/400V2N.
- **Cut-out Dimensions:** Refer to the diagram below for precise measurements.

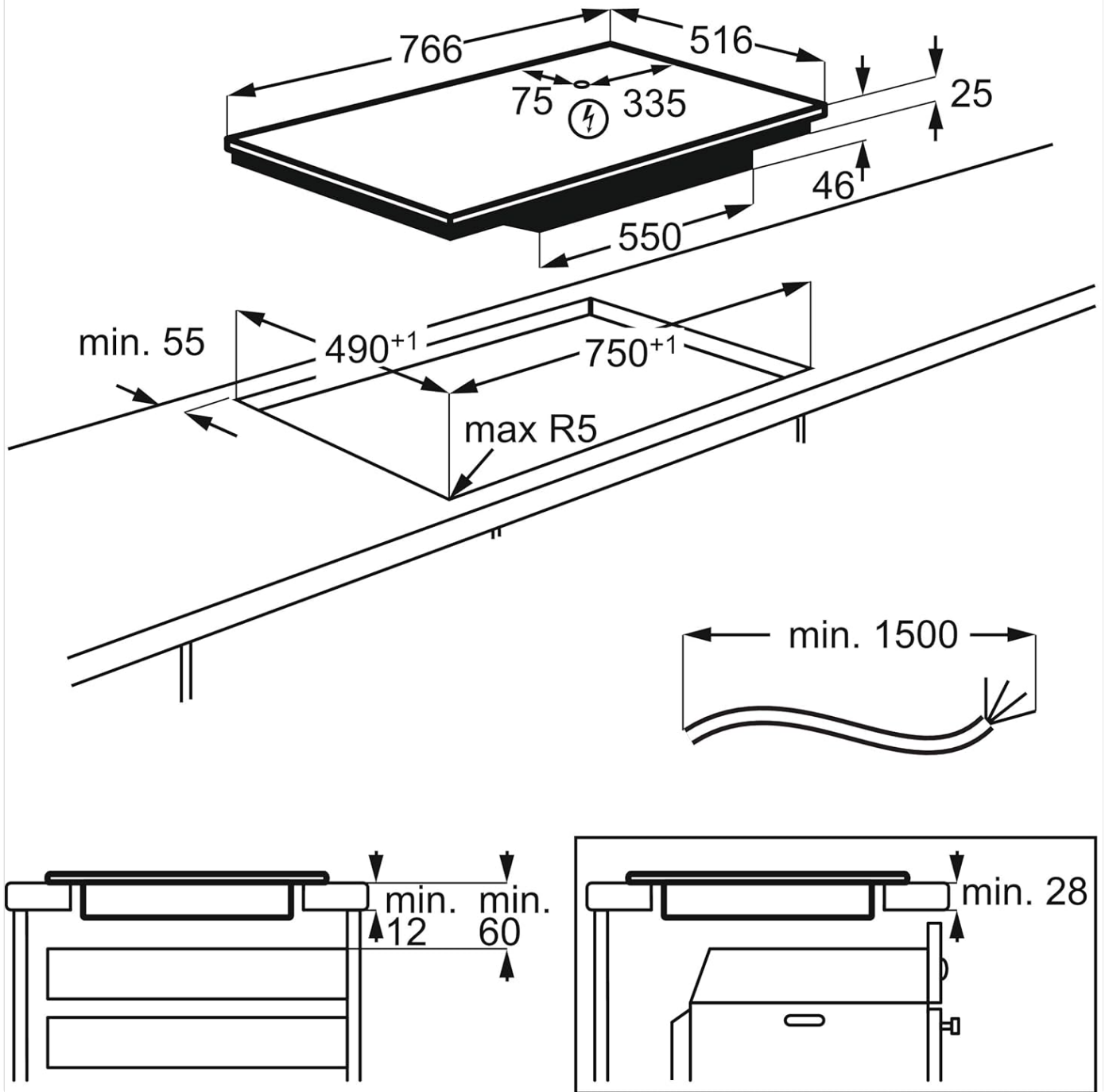


Figure 2: Installation Dimensions and Clearances

The hob requires a minimum installation depth of 46 mm and a cut-out width of 750 mm and depth of 490 mm. Ensure adequate ventilation space around the appliance as indicated in the diagram.

Electrical Connection

Electrical connection must be performed by a qualified electrician in accordance with local regulations. Ensure the power supply matches the appliance's voltage and wattage requirements.



Figure 3: SlimFit Installation Option

The SlimFit design allows for installation in any countertop depth from 12 mm without the need for a protective base, offering space-saving benefits.

Operating Instructions

Your AEG induction hob offers intuitive controls and advanced features for precise cooking.

Control Panel Overview

The hob features a slider touch control panel for easy operation.



Direct-Control

Direkte Auswahl der gewünschten Leistungsstufe – präzise und schnell.

Figure 4: Direct-Control Slider Operation

- **Direct-Control:** Directly select the desired power level by sliding your finger along the control bar or tapping the specific number.
- **Power Function (P):** Activates maximum power for rapid heating. Ideal for boiling water quickly.



Power-Funktion

Verringert die Aufheizzeit nochmals.
1 Liter Wasser kocht bereits nach
etwa 2 Minuten.

Figure 5: Power Function in Use

The Power function can boil 1 liter of water in approximately 2 minutes.

Special Features

- **Hob²Hood Function:** This innovative feature allows the hob to automatically control a compatible cooker hood based on the cooking power level. This saves energy and ensures optimal ventilation.



Figure 6: Hob²Hood Function

- **Automatic Pot Detection:** The hob automatically detects the presence of suitable cookware on the cooking zones.
- **Pause Function:** Temporarily pause cooking and resume at the same power level.



Figure 7: Pause Function (STOP + GO)

• **Timers:**

- **Eco Timer:** Optimizes energy consumption by switching off the heating zone before the set time, using residual heat.
- **CountUp Timer:** Measures the duration of cooking for each zone.
- **Timer:** A general timer for setting specific cooking durations.



Figure 8: CountUp Timer Display

- **Child Lock:** Prevents accidental operation of the hob.



Kindersicherung

Die Verriegelungsfunktion sperrt das Bedienfeld und verhindert so ungewolltes Verstellen.

Figure 9: Child Lock Feature

- **OptiHeat Control:** A 3-stage residual heat indicator to show if the cooking zone is still hot.
- **OffSound Control:** Allows for muting of control panel sounds.
- **Power-dependent automatic switch-off:** The hob will automatically switch off if left unattended for a prolonged period, depending on the power level.

Maintenance and Cleaning

Regular cleaning and proper maintenance will ensure the longevity and optimal performance of your AEG induction hob.

Cleaning the Hob Surface

The induction hob surface is easy to clean due to its lower surface temperature, which prevents food from burning onto it.



Figure 10: Easy Cleaning of Induction Hob

- Always clean the hob after it has cooled down.
- Use a soft cloth or sponge with a mild detergent.
- For stubborn stains, use a ceramic hob scraper, but ensure it is used gently to avoid scratching the surface.
- Avoid abrasive cleaners, scouring pads, or harsh chemicals.
- Wipe dry with a clean cloth to prevent water spots.

General Care

- Do not drop heavy objects on the hob surface.
- Avoid dragging pots and pans across the surface to prevent scratches.
- Ensure the ventilation openings underneath the hob are not blocked.

Troubleshooting

If you encounter any issues with your AEG induction hob, refer to the following common problems and solutions before

contacting service.

Problem	Possible Cause	Solution
Hob does not turn on.	No power supply; child lock activated.	Check power connection; deactivate child lock.
Cooking zone not heating.	Incorrect cookware; automatic pot detection not sensing.	Use induction-compatible cookware; ensure pot is centered on the zone.
Display shows "E" or error code.	Internal fault; overheating.	Turn off the hob, disconnect from power for a few minutes, then restart. If error persists, contact service.
Unusual noises during operation.	Normal induction sounds (humming, buzzing) or fan noise.	These are typically normal operational sounds and not a fault.

If the problem persists after attempting these solutions, please contact AEG customer support or a qualified service technician.

Specifications

Detailed technical specifications for the AEG IKB8443AXB Induction Hob.

Attribute	Value
Brand	AEG
Model Number	949597313
Installation Type	Built-In
Burner Type	Induction
Number of Cooking Zones	4
Connected Load	7350 watts
Voltage	220-240/400V2N
Product Dimensions (D x W x H)	20.31 x 30.16 x 20.31 inches (51.6 x 76.6 x 4.6 cm)
Item Weight	25.9 pounds (11.75 kg)
Material	Stainless Steel Frame
Special Features	Hob ² Hood function, Direct-Control, Power function, Child lock, Pause function, Automatic pot detection, Eco timer, CountUp Timer, OptiHeat Control (3-stage residual heat indicator), OffSound Control, Power-dependent automatic switch-off.

Warranty and Support

AEG products are manufactured to the highest quality standards and come with a manufacturer's warranty. Please refer to the warranty card included with your product for specific terms and conditions.

Customer Support

For technical assistance, spare parts, or service requests, please contact AEG customer support. Have your model number (IKB8443AXB) and serial number ready when you call.

- **Website:** Visit the official AEG website for support resources and contact information.
- **Service Hotline:** Refer to your regional AEG contact details.

AEG is committed to providing high-quality appliances and excellent customer service.