



[Manuals.plus](#) /

› [Belanger](#) /

› Belanger Quadrato Floor Mount Bathtub Faucet QUA45CCP User Manual

Belanger QUA45CCP

Belanger Quadrato Floor Mount Bathtub Faucet User Manual

Model: QUA45CCP

INTRODUCTION

This manual provides detailed instructions for the installation, operation, and maintenance of your Belanger Quadrato Floor Mount Bathtub Faucet, model QUA45CCP. Please read this manual thoroughly before installation and use to ensure proper function and longevity of your product. Retain this manual for future reference.

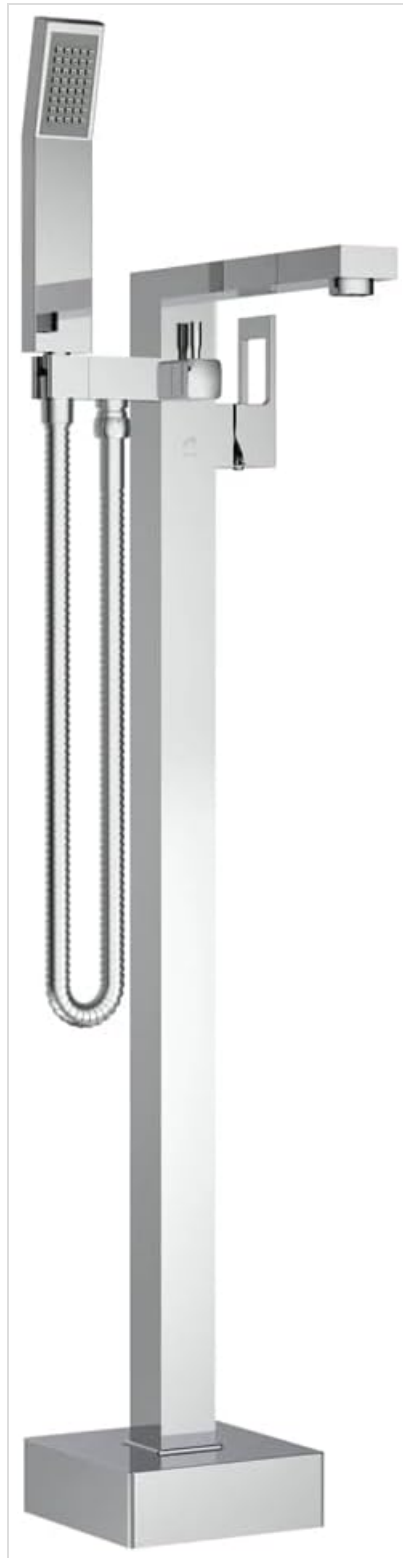


Image: Front view of the Belanger Quadrato Floor Mount Bathtub Faucet in polished chrome, showcasing its modern design and integrated hand shower.

SAFETY INFORMATION

- Always turn off the main water supply before beginning any installation or maintenance.
- Wear appropriate personal protective equipment, such as safety glasses and gloves, during installation.
- Ensure all local plumbing and building codes are followed. If unsure, consult a qualified professional.
- Do not overtighten connections, as this may cause damage to the product or plumbing.
- Keep small parts away from children.

INCLUDED COMPONENTS

Verify that all components are present before beginning installation:

- Floor Mount Bathtub Faucet Assembly
- Hand Shower with 59" Hose
- Mounting Hardware
- Instruction Manual (this document)
- Flexible Stainless Steel Braided Connectors

SETUP AND INSTALLATION

Pre-Installation

1. Turn off the main water supply to the installation area.
2. Clear the installation area and ensure you have adequate space to work.
3. Gather all necessary tools (not included): adjustable wrench, pipe wrench, plumber's tape, screwdriver, level, drill (if required for floor mounting).
4. Inspect the product for any visible damage. Do not install if damaged.

Installation Steps

Refer to the diagram below for detailed dimensions and connection points.

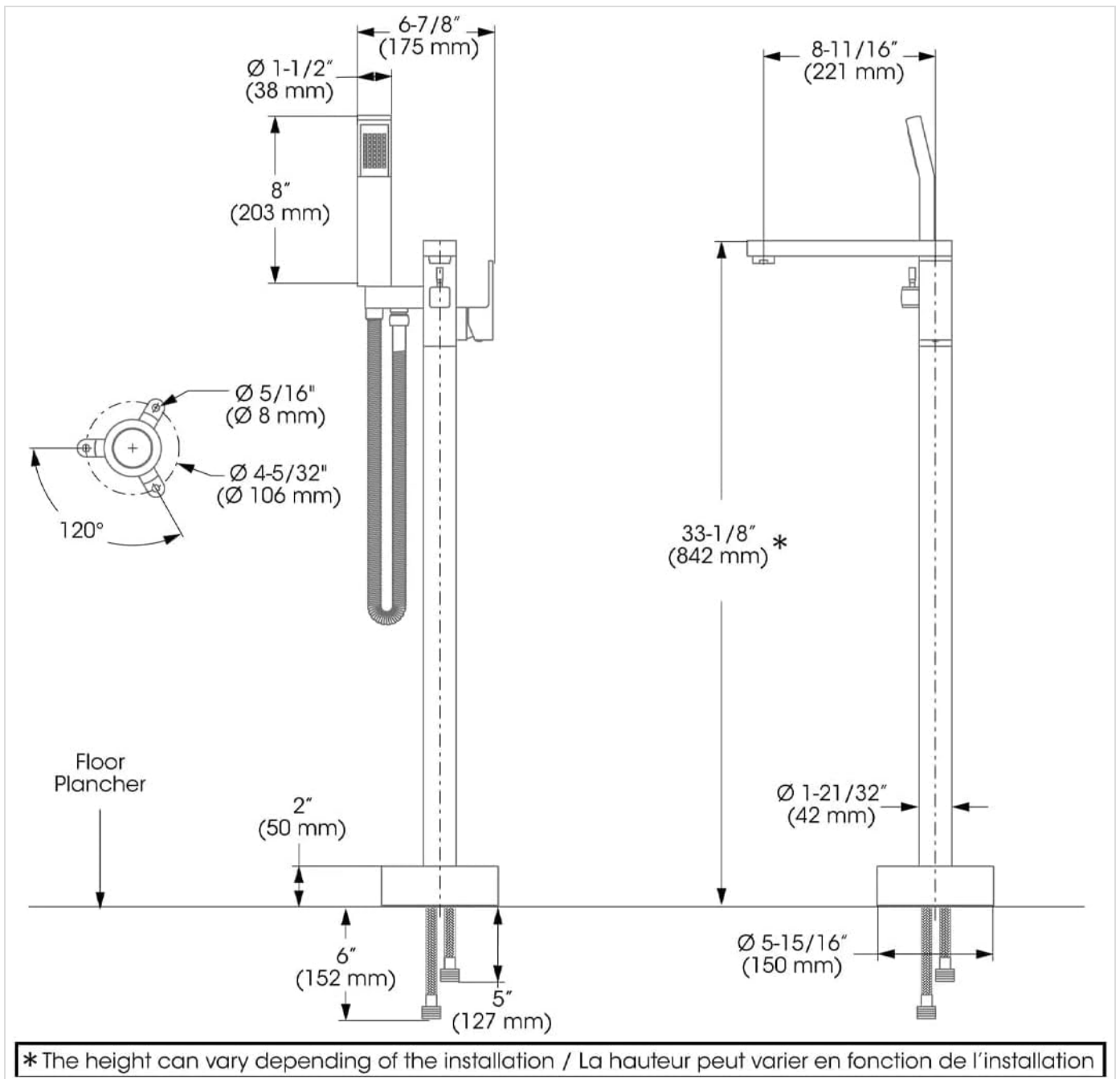


Image: Technical diagram illustrating the dimensions and floor mounting points for the Belanger Quadrato Faucet. It shows measurements for height, spout reach, and floor connections.

1. **Prepare Floor Mounting:** Ensure the floor is structurally sound and level. Mark the desired location for the faucet, considering the bathtub placement.
2. **Install Mounting Plate:** Secure the mounting plate to the floor using the provided hardware. Ensure it is firmly attached and level.
3. **Connect Water Lines:** Connect the hot and cold water supply lines to the flexible stainless steel braided connectors on the faucet base. Use plumber's tape on threaded connections to prevent leaks. The faucet features 1/2" NPT connections.
4. **Secure Faucet Body:** Carefully place the faucet body onto the mounting plate, aligning it with the water connections. Secure the faucet body to the mounting plate using the appropriate fasteners.
5. **Install Hand Shower:** Connect the 59" hand shower hose to the designated outlet on the faucet. Place the hand shower into its holder.
6. **Test for Leaks:** Slowly turn on the main water supply and check all connections for leaks. Tighten any leaking connections as necessary.

7. **Flush System:** Run both the main spout and hand shower for a few minutes to flush out any debris from the water lines.

OPERATING INSTRUCTIONS

Water Flow and Temperature Control

The Belanger Quadrato faucet features a single handle for controlling both water flow and temperature.

- **To Turn On/Off:** Lift the handle to turn on the water. Push the handle down to turn off the water.
- **To Adjust Temperature:** Move the handle left for hotter water and right for colder water.
- **To Adjust Flow:** Lift the handle higher for increased water flow and lower for reduced flow.

Hand Shower Operation

To divert water from the main spout to the hand shower, locate the diverter knob or lever on the faucet body and pull it up or turn it. The hand shower features soft-clean nozzles for easy maintenance.

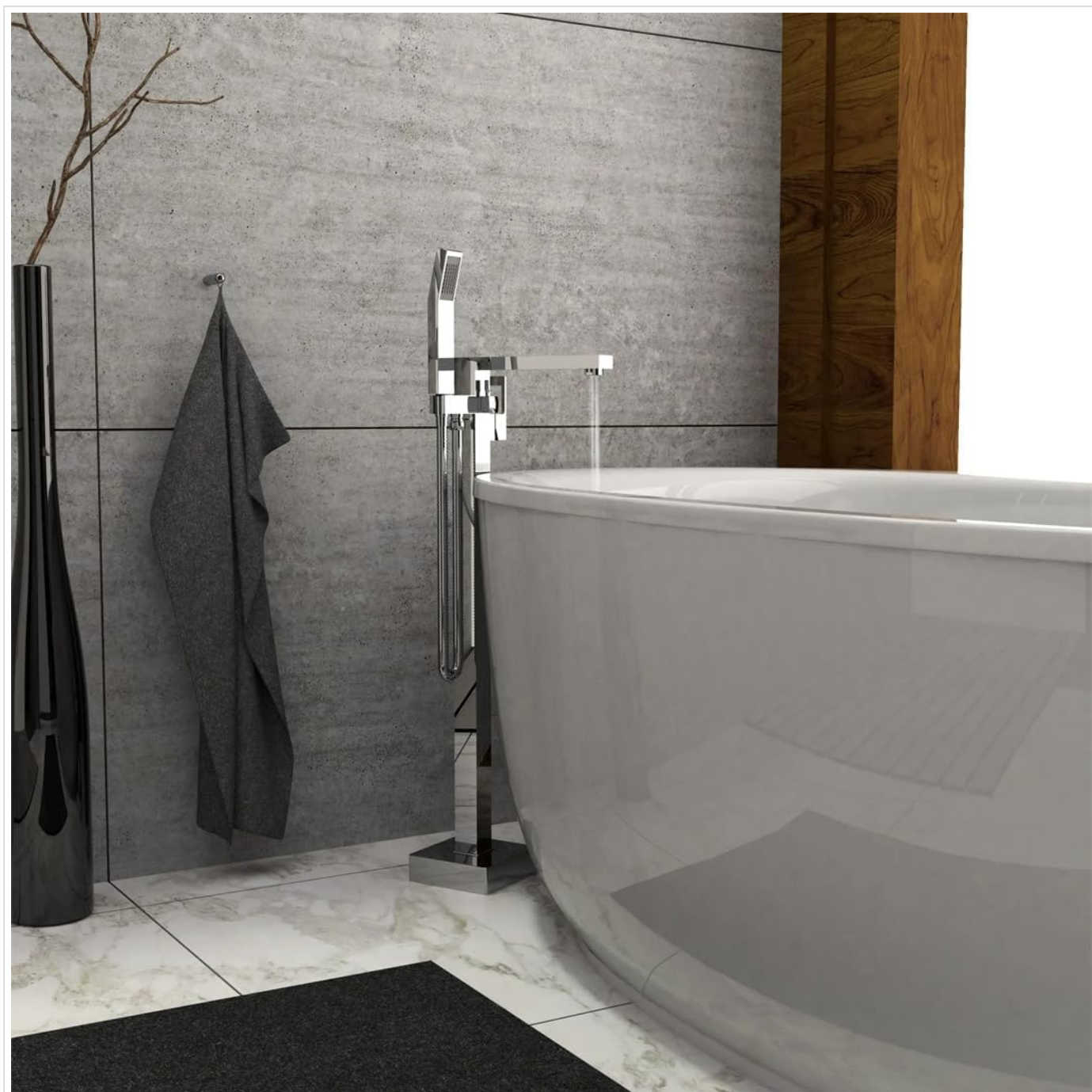


Image: The Belanger Quadrato Faucet installed next to a freestanding bathtub, demonstrating its functional integration within a modern bathroom setting.

MAINTENANCE

Cleaning the Faucet

To maintain the polished chrome finish, clean regularly with a soft cloth and mild soap. Avoid abrasive cleaners, harsh chemicals, or scouring pads, as these can damage the finish. Rinse thoroughly with clean water and dry with a soft cloth.

Ceramic Cartridge Maintenance

The faucet is equipped with a durable ceramic disc cartridge (FCCARD003) designed for long-lasting, drip-free performance. If you experience persistent dripping or difficulty in controlling water flow/temperature, the cartridge may need to be inspected or replaced. Consult a qualified plumber for cartridge replacement.

Hand Shower Nozzle Cleaning

The hand shower features soft-clean nozzles. To remove mineral buildup, gently rub the nozzles with your finger or a soft brush while water is flowing. For stubborn deposits, a solution of white vinegar and water can be used, followed by thorough rinsing.

TROUBLESHOOTING

Problem	Possible Cause	Solution
Low Water Flow	<ul style="list-style-type: none">Partially closed shut-off valvesClogged aerator or hand shower nozzlesDebris in water lines	<ul style="list-style-type: none">Ensure shut-off valves are fully open.Clean or replace aerator/nozzles.Flush water lines.
Leaking from Spout/Handle	<ul style="list-style-type: none">Loose connectionsWorn ceramic cartridge	<ul style="list-style-type: none">Check and tighten all connections.Replace ceramic cartridge (consult professional).
Water Temperature Issues	<ul style="list-style-type: none">Incorrect temperature limiting device settingIssues with water heater	<ul style="list-style-type: none">Adjust temperature limiting device (FCCARL9M6).Consult a plumber or water heater technician.

SPECIFICATIONS

Model Number	QUA45CCP
Finish	Polished Chrome
Material	Solid Brass Body, Stainless Steel Handle
Mounting Type	Floor Mount
Spout Flow Rate	6.2 GPM (23.4 L/min at 60 PSI)
Hand Shower Flow Rate	1.8 GPM (6.8 L/min at 80 PSI) - Eco-Logic
Hose Length	59 inches
Cartridge Type	Ceramic Disc (FCCARD003)
Connections	1/2" NPT
Certifications	CUPC certified, ADA compliant
Product Dimensions	33.5 x 11 x 99.49 cm (approximate)

WARRANTY INFORMATION

This Belanger product is covered by a **Limited Lifetime Warranty**. For specific terms and conditions, please refer to the warranty documentation included with your purchase or visit the official Belanger website. Keep your proof of purchase for warranty claims.

CUSTOMER SUPPORT

For technical assistance, replacement parts, or any questions regarding your Belanger Quadrato Floor Mount Bathtub Faucet, please contact Belanger customer service. Contact information can typically be found on the Belanger website or on your product packaging.

Manufacturer: Keeney

Website: www.belangerh2o.com (Example link, actual link may vary)