

[Manuals.plus](#) /

› [DISONCARE](#) /

› DISONCARE Odyssey 60H Insulin Cooler Travel Case Instruction Manual

## DISONCARE Odyssey 60H

# DISONCARE Odyssey 60H Insulin Cooler Travel Case Instruction Manual

Model: Odyssey 60H

Brand: DISONCARE

## 1. INTRODUCTION

---

The DISONCARE Odyssey 60H Insulin Cooler Travel Case is designed to maintain the required temperature for temperature-sensitive medications, such as insulin pens and vials, during travel and outdoor activities. This manual provides essential information on how to properly use and care for your cooler to ensure the safety and efficacy of your medication.

## 2. PRODUCT OVERVIEW

---

The Odyssey 60H cooler features a double-layered vacuum insulated stainless steel body, providing robust temperature retention. It includes a primary blue gel bottle for extended cooling and an emergency white bottle for temporary cooling when freezing is not an option. The cooler is equipped with a temperature display for monitoring and protective sleeves for your medication.



Image: The DISONCARE Odyssey 60H Insulin Cooler in blue, showing the exterior with a QR code and the interior containing insulin pens and the blue gel bottle.

### 3. SETUP & PREPARATION

---

#### 3.1 Preparing the Blue Gel Bottle (Primary Cooling)

1. Place the blue gel bottle in a freezer for 6-8 hours until completely frozen.
2. After freezing, remove the bottle from the freezer and let it sit at room temperature for 5-30 minutes before placing it into the cooler. This allows the gel to temper slightly, preventing medication from freezing.

#### 3.2 Preparing the White Emergency Bottle (Temporary Cooling)

1. If a freezer is unavailable, fill the white emergency bottle with cold water.
2. Place the filled emergency bottle into the cooler. This provides temporary cooling for approximately 12 hours.

# KEEP COLD 60H



## Cooler Performance

Bule Gel Bottle + Emergency Bottle	
Outside Temperature	Inside Cooler Temperature Specs & Performance
30°C	2-8°C for 36 hours 2-25°C for 60 hours
35°C	2-8°C for 32 hours 2-25°C for 50 hours
40°C	2-8°C for 30 hours 2-25°C for 48 hours

Bule Gel Bottle + Emergency Bottle	
Outside Temperature	Inside Cooler Temperature Specs & Performance
86°F	36-46°F for 36 hours 36-77°F for 60 hours
95°F	36-46°F for 32 hours 36-77°F for 50 hours
104°F	36-46°F for 30 hours 36-77°F for 48 hours

Image: Visual instructions for freezing the blue gel bottle and filling the white emergency bottle with cold water. A table details cooling performance based on outside temperature.

## 4. OPERATING YOUR COOLER

### 4.1 Inserting Medication

- Place your insulin pens or vials into the provided protective sleeves. This prevents direct contact with the cold bottle and provides cushioning.
- Carefully insert the sleeved medication into the cooler alongside the prepared cooling bottle (blue gel or white emergency).
- Securely close the cooler lid.

### 4.2 Capacity

The Odyssey series cooler is designed to hold 2-3 injection pens. It can also accommodate approximately 22 x 3ml vials or 4 x 10ml vials, depending on their specific dimensions. Refer to the compatibility charts for common injection pen models.

# ODYSSEY SERIES SIZE

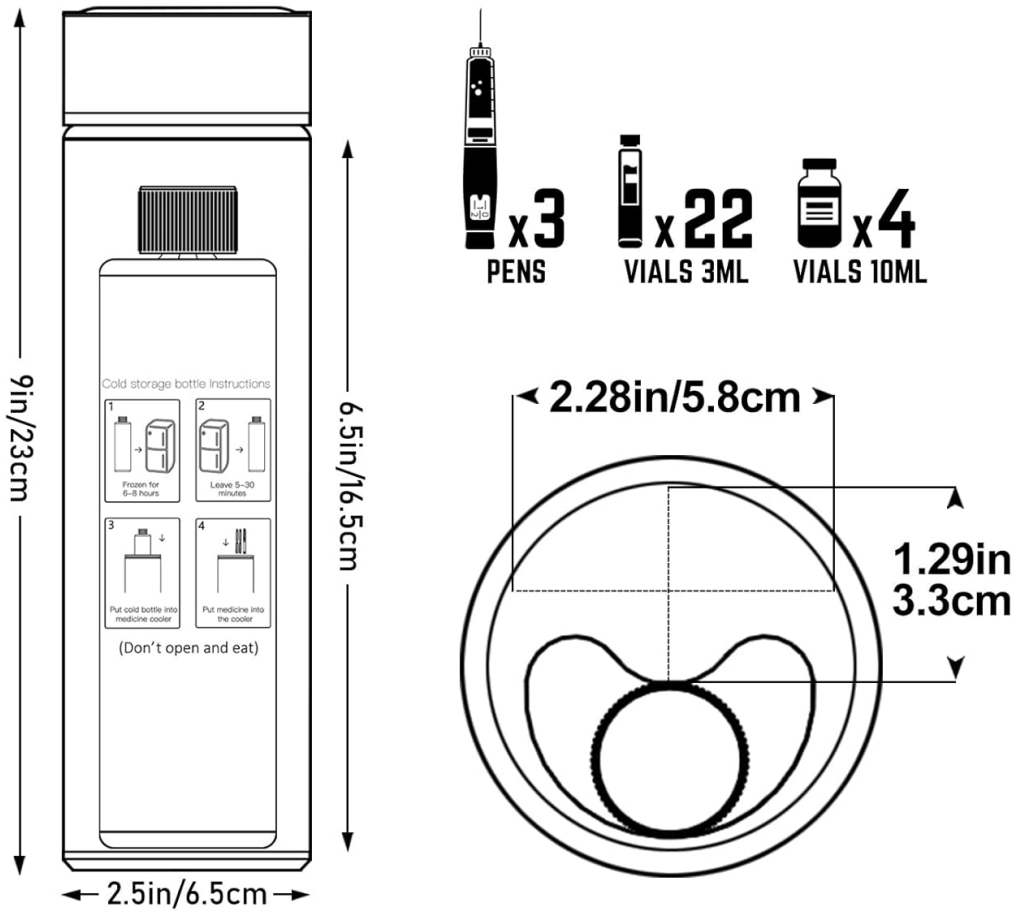


Image: A diagram illustrating the internal dimensions of the Odyssey cooler and its capacity for 3 pens, 22 x 3ml vials, or 4 x 10ml vials.

**PLEASE CHECK THE MODEL OF YOUR INJECTION PEN TO DETERMINE THE QUANTITY**

<b>Eli Lilly</b>	Humalog	<b>x2</b>	
	Humalog mix25		
	Humalog mix50		
	Humalog U-100		
	Humalog® U-200		
	Humulin 70/30		
	Humulin N		
	Humalog® U-500		
	Basaglar		
	HumaPen		
	Lyumjev 100/200		
	Mounjaro		<b>x1</b>
	Zepbound		
Trulicity			
Emgality	<b>x0</b>		

<b>Novo Nordisk</b>	NovoLog	<b>x3</b>	
	NovoLog Mix 70_30		
	NovoRapid		
	Actrapid		
	Insulatard		
	FlexPen		
	Victoza		
	NovoMix®30		
	Tresiba		<b>x2</b>
	NovoPen® 4/5/6		
NovoPen Echo® &Plus			
Xultophy			
Fiasp			
Ryzodeg			
Levemir			
FlexTouch			
Saxenda			
Ozempic			
Wegovy			
<b>Sanofi</b>	Apidra	<b>x3</b>	
	Insuman Rapid		
	Insuman Basal		
	Lantus		
	Toujeo		
	Toujeo max		
	Admelog		
	Soliqua		
	Insuman Comb		
	Lantus SoloStar		
Apidra SoloStar			
Soliqua	<b>x2</b>		
TactiPen			
AllStar	<b>x2</b>		
TouStar			
DUPIXENT® 200/300mg	<b>x1</b>		

Image: A detailed chart indicating the quantity of various Eli Lilly and Novo Nordisk injection pens that can be stored in the cooler.

**PLEASE CHECK THE MODEL OF YOUR INJECTION PEN TO DETERMINE THE QUANTITY**

Other		
Insulin Aspart <b>x3</b>  Abaloparatide Tymlos <b>x3</b> 	Humira 40mg <b>x1</b>  Actemra  Hyrimoz 	Praluent 300mg <b>x1</b>  Hadlima  Nucala (Mepolizumab) 
Semglee <b>x2</b>  Byetta  Enbrel  Amgevita  Amjevita  Aranesp  Repatha  Gonal-F 300IU  Gonal-F 450IU  Gonal-F 900IU  Praluent 75mg  Aimovig 	Bydureon BCise  Benepali  Norditropin FlexPro  Norditropin FlexPro  Norditropin FlexPro  Entyvio  Erelzi  Nutropin AQ  Imraldi  Tezspire  Gemfrac  Kesimpta 	Forteo  Epipen  Skyrizi  ORENCIA® ClickJect  Ajovy  BENLYSTA (belimumab)  Genotropin go quick  Idacio (Adalimumab)  Kevzara  Australian Humira  Simponi (Golimumab) 
Praluent 150mg <b>x1</b> 	Adtralza 	*Large diameter, please check the Intercontinental series 

Image: A detailed chart indicating the quantity of various other brands of injection pens and vials that can be stored in the cooler.

### 4.3 Temperature Monitoring

The cooler features a built-in thermometer on the lid to display the internal temperature. This allows for quick and accurate temperature checks without opening the cooler, ensuring your medication remains within the safe range.



**Shelie Johnsoe**



**“FIRST I WOULD LIKE TO EXPLAIN THE PACKAGING IS FANTASTIC! THERE IS ONE IN THE JAR BLUE ICE/ICE PACKS AND CLEAR BOTTLES CAN BE FILLED WITH WATER AND THEN REFRIGERATION. THIS ALSO INCLUDES COMES WITH A PACKAGED THERMOMETER 🌡️. USED TO HOLD INSULIN PENS, JUST LIKE THE PHOTO.OVERALL, I AM ONE HAPPY WOMAN!”**

Image: A close-up view of the cooler's lid, highlighting the digital temperature display for easy monitoring.

## 5. TRAVEL GUIDELINES (TSA APPROVED)

---

The DISONCARE Odyssey 60H cooler is TSA approved for air travel. To ensure a smooth security check, follow these steps:

1. Keep the blue gel bottle frozen and store your insulin and cooler in an easily accessible location in your carry-on bag.
2. Carry a doctor's prescription or a medical certificate stating your need to travel with insulin and the cooler.
3. Proactively inform the TSA agent that you are carrying medically necessary insulin and a cooler.

Video: An official DISONCARE video demonstrating the Odyssey Series cooler and highlighting its TSA approval for travel.

## 6. MEDICAL ALERT QR CODE

---

The cooler features a unique QR code for medical alert and loss prevention. By scanning the QR code, you can register and upload important medical information, emergency contacts, and photos. This information can be accessed by rescuers or good Samaritans in case of an emergency or if the cooler is lost, helping to ensure your safety and the return of your medication.

- **Registration:** Scan the QR code on your cooler to register your device and create your medical profile.
- **Information:** Upload critical medical details, including your condition, medication, and emergency contact numbers.
- **Privacy:** You can set privacy controls to restrict viewing of sensitive contact information.



Image: A smartphone screen showing the medical alert profile accessible by scanning the QR code on the cooler, including emergency contact details.

For more information or to manage your medical ID, visit: [disontag.com/418309865](https://disontag.com/418309865)

## 7. CARE & MAINTENANCE

---

- Clean the interior and exterior of the cooler with a soft, damp cloth. Do not use abrasive cleaners or harsh chemicals.
- Ensure the cooler is completely dry before storing.
- Store the cooler in a cool, dry place away from direct sunlight.
- Do not open or consume the contents of the gel bottles.

## 8. SPECIFICATIONS

---

Feature	Detail
Model Number	PR-COM-RT-X1081581
Product Dimensions	2.5 x 2.5 x 9 inches
Item Weight	1.32 Pounds
Material	18/8 (304) Food-Grade Stainless Steel (Inner & Outer Layers), Double-Layered Vacuum Insulation
Cooling Duration (Blue Gel)	Up to 48 hours (in 86°F/30°C outdoor environment)
Cooling Duration (Emergency Bottle)	Extends cooling by 12 hours
Capacity (Odyssey Series)	2-3 Insulin Pens, or 22 x 3ml vials, or 4 x 10ml vials
Special Features	Integrated Temperature Display, TSA Approved, QR Medical Alert Tag

## 9. TROUBLESHOOTING

---

If you experience issues with your DISONCARE Odyssey 60H cooler, consider the following:

- **Insufficient Cooling:** Ensure the blue gel bottle was frozen for the recommended 6-8 hours and allowed to temper for 5-30 minutes before use. Verify the lid is securely closed.

- **Medication Freezing:** If medication appears frozen, reduce the tempering time of the blue gel bottle before placing it in the cooler. Always use the protective sleeves.
- **Temperature Display Inaccuracy:** If you suspect the temperature display is inaccurate, compare it with an external thermometer. Ensure the cooler is not exposed to extreme external temperatures for prolonged periods.

## 10. SUPPORT

---

For further assistance, product inquiries, or to manage your QR Medical Alert ID, please visit the official DISONCARE website or contact customer support through the information provided on your QR tag.

Manufacturer: Zhengzhou Dison Electric CO.,LTD.

Video: An official DISONCARE video demonstrating how to use the insulin cooler, including preparation and insertion of medication.

Video: A user review of the DISONCARE portable insulin cooler, demonstrating its features and ease of use for medication storage.