

BAFANG Progaming cable US

BAFANG USB Programming Cable Instruction Manual

Model: Progaming cable US

1. INTRODUCTION

This manual provides comprehensive instructions for the BAFANG USB Programming Cable, designed for Bafang mid-drive motors. This cable facilitates connection between your personal computer and the Bafang mid-drive motor controller, enabling adjustment of user-level parameters. It is compatible with Bafang BBS01, BBS02, BBSHD, and UART protocol motors (M315, M500, M600, M420, M200). The cable allows for customization of settings such as speed limits, pedal assist levels, and throttle response to optimize your e-bike's performance according to your preferences. This cable does not allow for firmware changes.

2. PRODUCT OVERVIEW

The BAFANG USB Programming Cable is an essential tool for customizing your Bafang mid-drive e-bike system. It features a USB Type-A connector for your computer and a 5-pin female waterproof connector for your motor controller. The cable is available in two lengths: 590mm (23.2 inches) and 1090mm (42.9 inches).

VERSATILE AND RELIABLE



**ADJUST
SPEED LIMITATION**



**ADJUST
PEDAL ASSIST LEVEL**



**MODIFY PARAMETERS
TO SUIT YOUR SPECIFIC NEEDS**

Figure 2.1: BAFANG USB Programming Cable with icons indicating its functions: adjusting speed limitation, pedal assist levels, and other parameters.

UNIVERSAL COMPATIBILITY



COMPATIBLE WITH BAFANG BBS01/02/HD SERIES MOTORS

- MMG.320
- MMG.321
- MMG.340
- MMG.342

40 INCHES/1 METER LONG

PROGRAMMING CABL

Compatible for Windows 7,8,8.1,10. Please note: you must run the programme as administrator.High performance expansion chip. It has fast response speed and stable transmission performance.



Figure 2.2: Universal Compatibility of the BAFANG USB Programming Cable with various Bafang mid-drive motors.

RELIABLE AND CONVENIENT



USB Port



IP65 waterproof



5-Pin Female

Figure 2.3: Detailed view of the cable's components: USB port, IP65 waterproof cable, and 5-pin female connector.

CONVENIENT SIZE OPTIONS

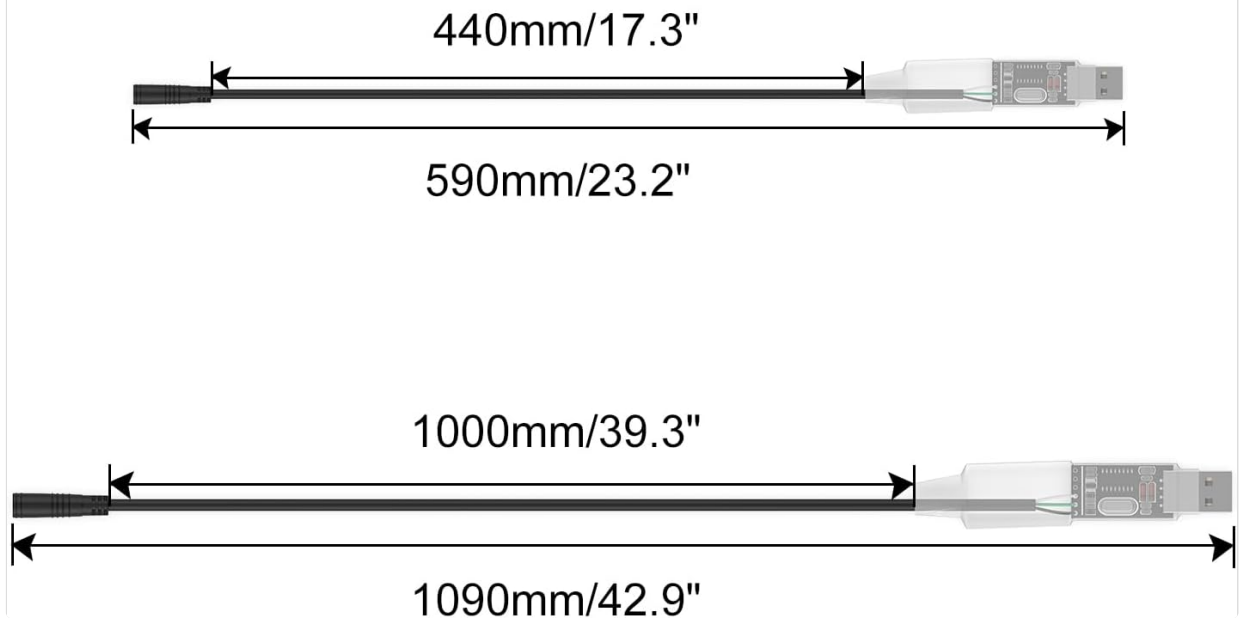


Figure 2.4: Available cable lengths for the BAFANG USB Programming Cable.

3. SETUP

To set up your BAFANG USB Programming Cable and begin customizing your motor's parameters, follow these steps:

1. **Software Acquisition:** The programming software is not included physically. You will need to download it. A QR code is often provided with the product or can be found on the manufacturer's website.
2. **System Requirements:** The software is primarily compatible with Windows 7, 8, 8.1, and 10 operating systems. While some Windows 10 systems are compatible, older Windows versions are generally more reliable.
3. **Installation:** Once downloaded, ensure you run the programming software as an administrator to prevent permission issues.
4. **Cable Connection:** Connect the USB Type-A end of the programming cable to an available USB port on your computer.
5. **Motor Connection:** Connect the 5-pin female waterproof connector to the corresponding port on your Bafang mid-drive motor controller. This port is typically where the display unit connects.

WIRING DIAGRAM

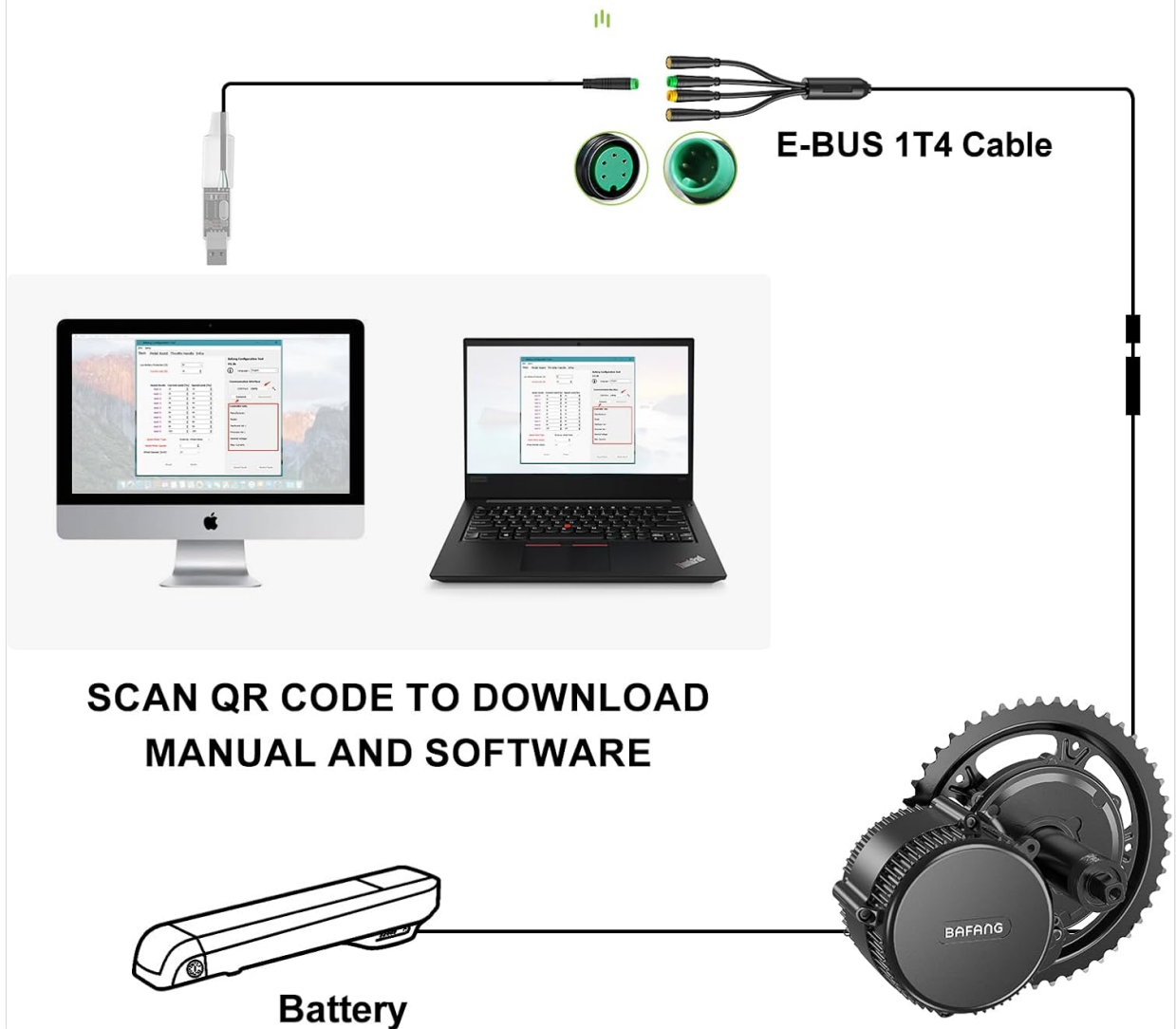


Figure 3.1: Wiring Diagram for connecting the programming cable to your e-bike system.

4. OPERATING INSTRUCTIONS

Once the cable is connected and the software is installed, you can proceed with adjusting your motor's parameters. Exercise caution when modifying settings, as incorrect values can affect motor performance or safety.

1. **Launch Software:** Open the BafangConfigTool software on your computer, ensuring it is run with administrator privileges.
2. **Connect to Controller:** Within the software, locate the option to connect to the motor controller. The software should detect the connected cable and motor.
3. **Read Parameters:** Before making any changes, it is recommended to read the current parameters from the motor controller and save them as a backup file. This allows you to revert to original settings if needed.
4. **Adjust Parameters:** Navigate through the software interface to access various adjustable parameters. These typically include:
 - **Speed Limit:** Adjust the maximum speed at which the motor provides assistance.
 - **Pedal Assist Levels (PAS):** Customize the power output for each pedal assist level. This can make the throttle smoother or allow full throttle acceleration in PAS stages.
 - **Throttle Response:** Modify how the throttle responds, for example, to make it less like an on/off switch and more gradual.

- **Current Limit:** Adjust the maximum current draw (e.g., from 25 amps to 18 amps) to potentially extend battery and motor lifespan without significant performance loss.
5. **Write Parameters:** After making desired adjustments, use the 'Write' or 'Program' function within the software to apply the new settings to the motor controller.
 6. **Verify Changes:** Disconnect the cable and test your e-bike to ensure the changes have been applied correctly and the motor operates as expected.


USING STEPS

1 Discover QR code



Bafang USB Programming Cable for BBS01 BBS02 G340 BBS03 BBSHD G320 Mid Drive/Center Motor

2 Scan QR code



3 Access information



4 Open the BafangConfigTool software, and then double-click the corresponding software file and program

Folder			
Languages		2019/5/1 12:42	
Profiles		2019/5/1 12:42	
BafangConfigTool.exe	1,402 KB	2019/4/14 11:10	1,402 KB
Easy Program Manual.pdf	271 KB	2015/5/4 13:59	271 KB
Help.pdf	327 KB	2018/2/27 13:16	327 KB

5 After double-clicking the left mouse button, enter the language selection, click OK



Figure 4.1: Step-by-step guide for software access and initial setup.

Important Safety Note: Modifying motor parameters can impact the safety and legality of your e-bike. Always understand the implications of any changes before applying them. Consult online resources and community forums for detailed guidance on specific parameter adjustments.

5. MAINTENANCE

Proper care of your BAFANG USB Programming Cable will ensure its longevity and reliable performance.

- **Storage:** Store the cable in a dry, cool place away from direct sunlight and extreme temperatures.
- **Cleaning:** If the cable becomes dirty, wipe it gently with a soft, dry cloth. Avoid using harsh chemicals or abrasive materials.
- **Handling:** While the connector is waterproof (IP65 rated), avoid unnecessary exposure to water or moisture. Do

not bend the cable sharply or apply excessive force to the connectors.

- **Inspection:** Periodically inspect the cable for any signs of damage, such as frayed wires or bent pins. Do not use a damaged cable.

6. TROUBLESHOOTING

If you encounter issues while using the BAFANG USB Programming Cable, consider the following troubleshooting steps:

- **Cable Not Detected:**

- Ensure the USB cable is fully inserted into both the computer and the motor controller.
- Try a different USB port on your computer.
- Verify that the motor controller is powered on (e.g., e-bike battery connected and turned on).
- Check your computer's Device Manager for any unrecognized USB devices or driver issues. You may need to manually install a USB driver if not automatically detected.

- **Software Compatibility Issues:**

- If using Windows 10 and experiencing problems, try running the software in compatibility mode for Windows 7 or 8.
- Ensure the software is always run as an administrator.
- Download the latest version of the programming software from a reliable source.

- **Parameters Not Applying:**

- Confirm that you clicked the 'Write' or 'Program' button in the software after making changes.
- Ensure there are no error messages displayed in the software during the writing process.
- Double-check that the motor controller is properly connected and powered throughout the process.

- **Motor Not Responding After Programming:**

- If you saved a backup of your original settings, try loading and writing those parameters back to the controller.
- Review the changes you made for any extreme or illogical values.

For further assistance, refer to online communities and forums dedicated to Bafang mid-drive motors, as they often provide detailed guides and solutions for common programming issues.

7. SPECIFICATIONS

Feature	Detail
Brand	BAFANG
Model Name	Progaming cable US
Connector Type (PC)	USB Type A
Connector Type (Motor)	5-Pin Female Waterproof Connector
Cable Type	USB
Compatible Devices	PC (Windows 7, 8, 8.1, 10)
Compatible Motors	Bafang BBS01, BBS02, BBSHD, UART protocol BAFANG mid-drive motors (M315, M500, M600, M420, M200)
Special Feature	Waterproof (IP65)

Cable Length Options	590mm (23.2 inches), 1090mm (42.9 inches)
Number of Pins	8 (internal to USB, 5 for motor connector)
Maximum Current	18 Amps (relevant for motor parameter adjustment)

8. WARRANTY INFORMATION

Specific warranty details for the BAFANG USB Programming Cable are not provided in the product information. Please refer to the retailer or BAFANG's official website for current warranty terms and conditions.

9. SUPPORT

For technical support, software updates, or further inquiries regarding the BAFANG USB Programming Cable, please visit the official BAFANG website or contact their customer service department. Online communities and forums dedicated to Bafang mid-drive motors are also valuable resources for user-generated solutions and advice.