



[Manuals.plus](#) /

> [DHP](#) /

> DHP Winston Metal Platform Bed Instruction Manual

DHP DZ89965

DHP Winston Metal Platform Bed Instruction Manual

Model: DZ89965

INTRODUCTION

Thank you for purchasing the DHP Winston Metal Platform Bed. This manual provides detailed instructions for assembly, operation, maintenance, and troubleshooting to ensure safe and proper use of your new bed frame. Please read all instructions carefully before beginning assembly and retain this manual for future reference.

Product Overview

The DHP Winston Metal Platform Bed features a modern loft design with a rustic aesthetic, including a sleek curved edge headboard and footboard. Crafted from sturdy metal, it provides robust support with metal slats, a center metal rail, and four additional legs. The design eliminates the need for a box spring, allowing for better air circulation around your mattress. This bed also offers adjustable under-bed clearance, providing either 7 inches or 11 inches of space for storage.

Safety Information

- Always follow assembly instructions precisely.
- Ensure all bolts and fasteners are securely tightened before use.
- Do not exceed the maximum weight limit of **500 lbs**.
- Keep small parts away from children during assembly.
- Periodically check all connections to ensure they remain tight.
- Do not stand or jump on the bed frame.

PARTS LIST

Before assembly, verify that all parts listed below are present. If any parts are missing or damaged, please contact customer support.

Part No.	Description	Quantity
A	Headboard	1

Part No.	Description	Quantity
B	Footboard	1
C	Side Rails	2
D	Center Support Rail	1
E	Metal Slats	(Varies by size)
F	Support Legs	4
G	Hardware Pack (Bolts, Washers, Allen Key)	1

Note: The exact number of metal slats may vary depending on the bed size (Twin, Full, Queen, King).

SETUP AND ASSEMBLY INSTRUCTIONS

Assembly typically requires two people. All necessary tools are included in the hardware pack.

- Unpack and Identify Parts:** Carefully remove all components from the packaging. Lay them out on a clean, soft surface to prevent scratching. Refer to the Parts List to identify each piece.
- Attach Side Rails to Headboard and Footboard:** Connect the side rails (C) to the headboard (A) and footboard (B) using the provided bolts and washers from the hardware pack (G). Ensure the adjustable height mechanism on the side rails is set to your desired height (7" or 11" clearance) before tightening.
- Install Center Support Rail:** Attach the center support rail (D) to the designated points on the headboard and footboard. Secure with bolts.
- Attach Support Legs:** Screw the four support legs (F) into the pre-drilled holes on the center support rail and side rails. Ensure they are firmly attached and provide stable support.
- Place Metal Slats:** Lay the metal slats (E) across the side rails and the center support rail. Secure each slat to the frame using the provided fasteners or clips. Ensure all slats are evenly spaced and firmly in place to prevent mattress shifting and noise.
- Final Tightening:** Once all components are in place, go back and tighten all bolts and fasteners securely. Do not overtighten.

THOUGHTFULLY DESIGNED

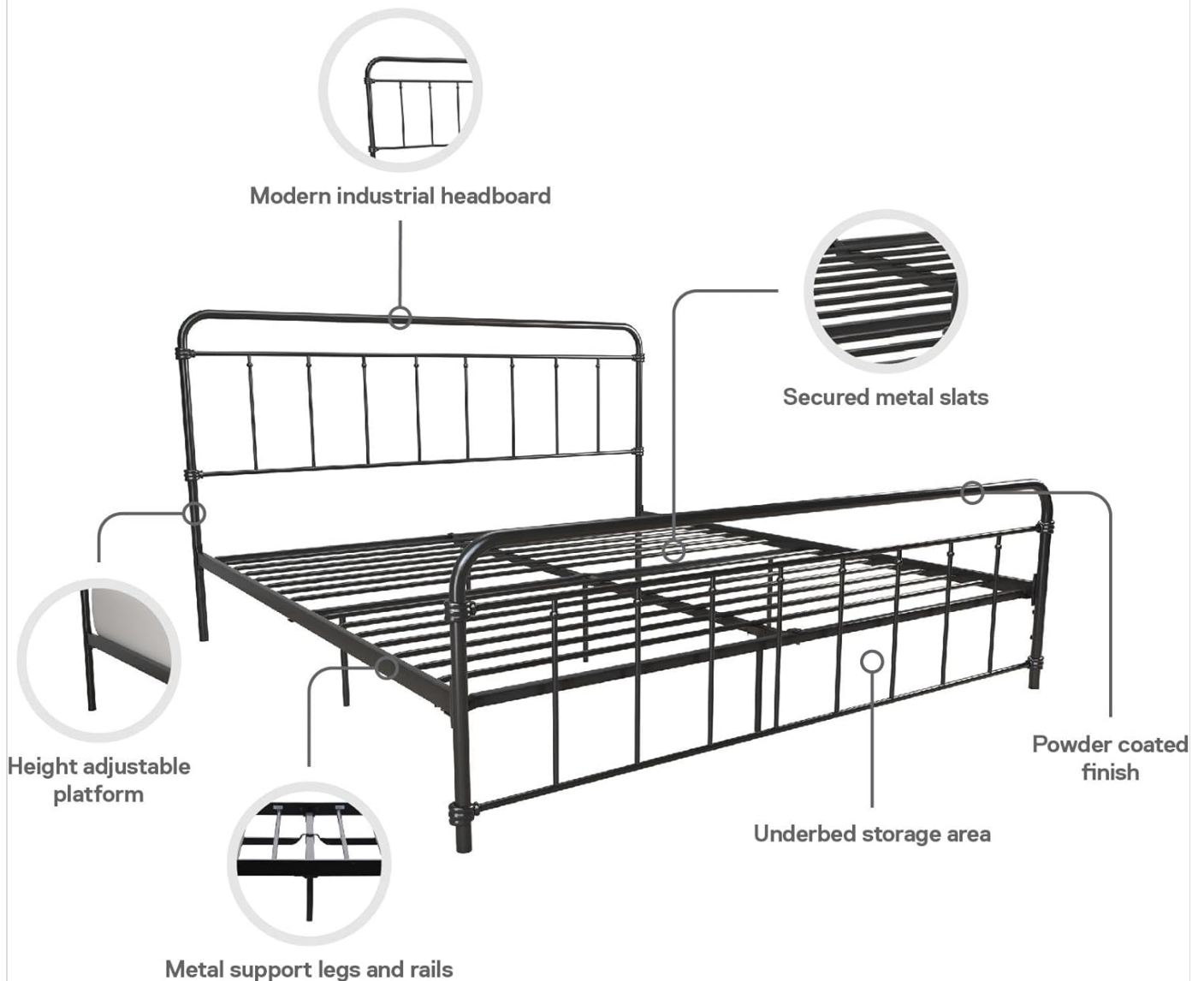


Figure 1: Exploded view of the DHP Winston Metal Platform Bed components, illustrating how the headboard, footboard, side rails, and support structure connect during assembly.

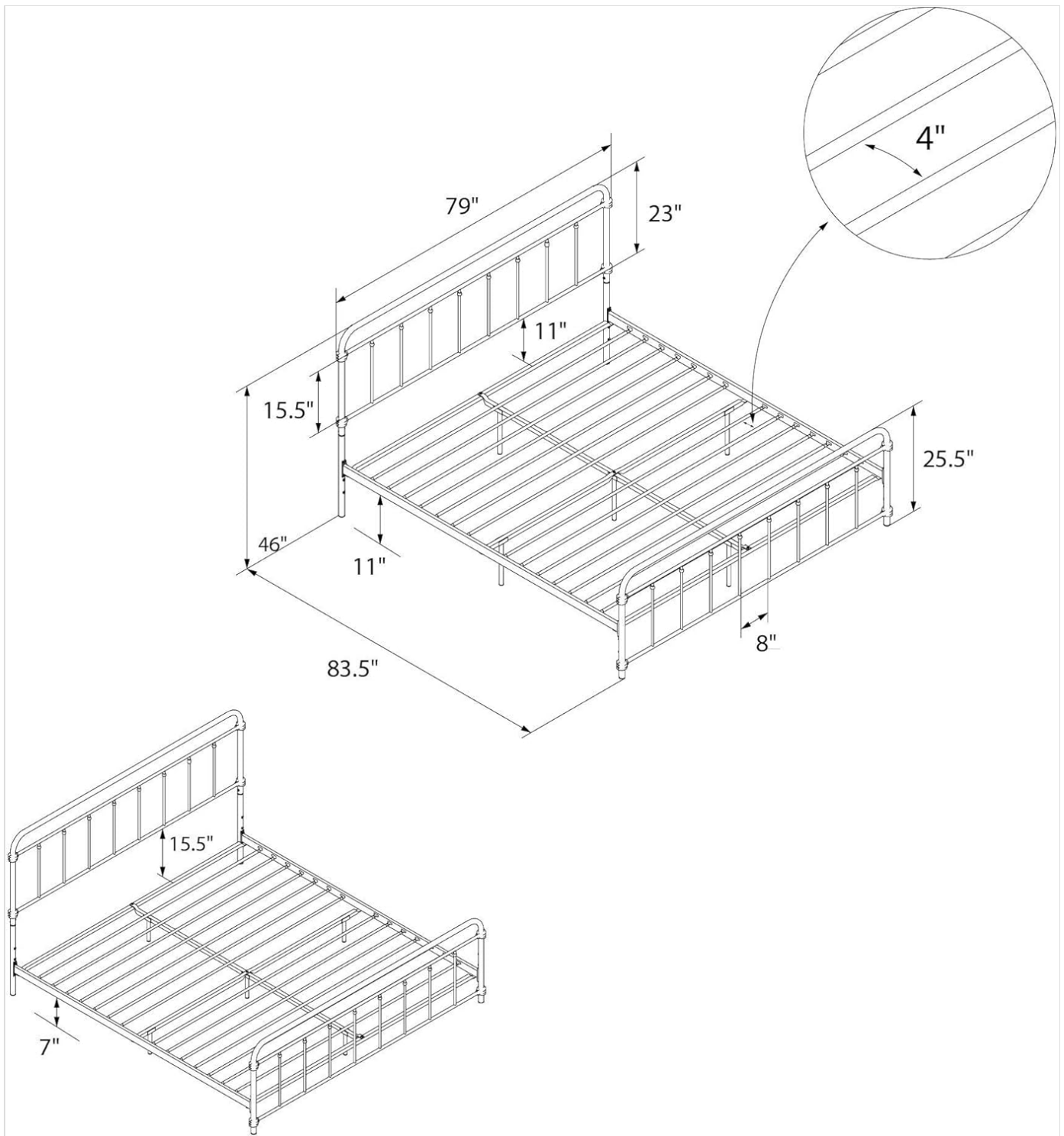


Figure 2: Detailed dimensional drawing of the bed frame, highlighting the adjustable base height options (7 inches or 11 inches of under-bed clearance) and overall dimensions.

OPERATING INSTRUCTIONS

Adjustable Base Height

The DHP Winston Metal Platform Bed offers two height settings for under-bed clearance: 7 inches for a lower profile or 11 inches for increased storage space. This adjustment must be made during the assembly process by selecting the appropriate attachment points for the side rails on the headboard and footboard.

- To set a **7-inch clearance**: Attach the side rails to the lower set of holes on the headboard and footboard.
- To set an **11-inch clearance**: Attach the side rails to the upper set of holes on the headboard and footboard.

Once assembled, the height setting is fixed. If you wish to change the height, partial disassembly and reassembly will be required.

Mattress Placement

Place your mattress directly onto the metal slats. A box spring is not required. The secured slats and raised sides are designed to keep your mattress in place and prevent sliding.



Secured metal slats stay put to prevent noise



No box spring needed



Raised sides keep the mattress in place



Reinforced center legs and metal rail

Figure 3: Close-up view illustrating the secured metal slats that prevent noise and the reinforced center legs and metal rail providing superior stability.

MAINTENANCE

Cleaning

To clean the metal frame, simply wipe it with a damp cloth. Avoid using harsh chemicals or abrasive cleaners, as these may damage the powder-coated finish.

Regular Checks

Periodically (e.g., every 3-6 months), inspect all bolts and connections to ensure they remain tight. Re-tighten any loose fasteners to maintain the bed's stability and prevent squeaking.

TROUBLESHOOTING

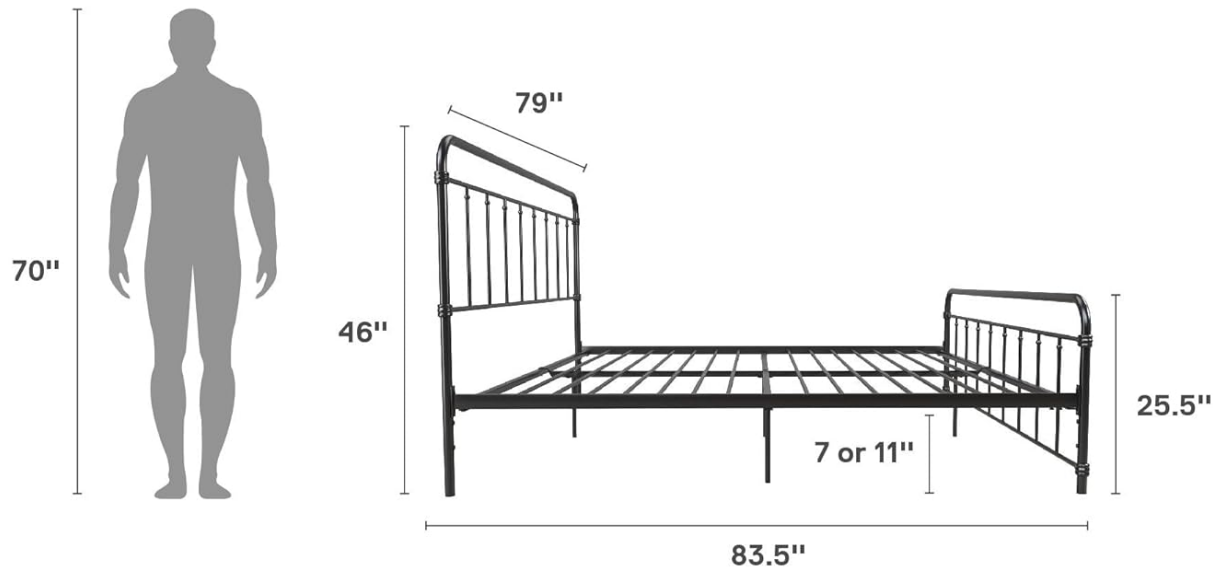
Problem	Possible Cause	Solution
Bed frame is wobbly or unstable.	Loose bolts or incorrect assembly.	Ensure all bolts are securely tightened. Review assembly instructions to confirm all parts are correctly installed.
Squeaking noises from the bed.	Loose connections, metal-on-metal friction, or uneven floor.	Tighten all bolts. Apply a small amount of lubricant (e.g., silicone spray) to connection points if necessary. Ensure the bed is on a level surface; use furniture pads if needed.
Mattress slides on the frame.	Slats not properly secured or raised sides not effective.	Verify that all metal slats are correctly secured to the frame. Ensure the mattress is centered on the frame.
Missing parts during unboxing.	Packaging error or transit damage.	Contact DHP customer support immediately with your product model and purchase details.

SPECIFICATIONS

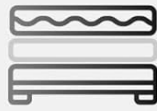
- **Model:** DZ89965
- **Size:** King (U.S. Standard)
- **Product Dimensions:** 82.5"L x 79"W x 46"H
- **Material:** Metal (Powder Coated Finish)
- **Color:** Black
- **Weight Limit:** 500 lbs
- **Under-bed Clearance:** Adjustable to 7" or 11"
- **Assembly Required:** Yes
- **Box Spring Needed:** No
- **Care Instructions:** Wipe with Damp Cloth

FITS ONE KING SIZE MATTRESS

(not included)



Weight Limit



No Boxspring



Trendy Design

Figure 4: Key features and specifications, including the 500 lb weight limit and the design that eliminates the need for a box spring.

WARRANTY AND SUPPORT

Warranty Information

This DHP Winston Metal Platform Bed comes with a **1-year limited warranty** from the manufacturer. This warranty covers manufacturing defects under normal use. Please retain your proof of purchase for warranty claims.

Customer Support

For any questions, missing parts, or assistance with assembly, please contact DHP customer support. They are available 7 days a week by phone, email, or chat. You can also easily order replacement parts online or by phone.

Contact Information: Refer to the contact details provided on the product packaging or the official DHP website.

Online Resources: Visit the [DHP Store on Amazon](#) for additional product information and support.

