

[Manuals.plus](#) /

> [IKEA](#) /

> [IKEA OMAR 1 Section Shelving Unit Instruction Manual](#)

## IKEA 698.290.83

# IKEA OMAR 1 Section Shelving Unit Instruction Manual

Model: 698.290.83

## INTRODUCTION

---

This manual provides detailed instructions for the assembly, operation, and maintenance of your IKEA OMAR 1 Section Shelving Unit. Please read this manual thoroughly before beginning assembly or use to ensure proper function and safety. The OMAR storage system is designed for easy assembly and provides clear visibility and access to stored items. Its adjustable feet allow for stable placement on uneven floors, and it is suitable for use in various indoor environments, including damp areas like bathrooms.

## SAFETY INFORMATION

---

### Important Safety Instructions:

- Always follow manufacturer instructions for proper assembly.
- Use the shelving unit only in its intended environment.
- Do not overload the shelves. This unit is not suitable for holding excessively heavy weights or supporting significant loads beyond its design capacity.
- Ensure the unit is stable and level before placing items on shelves.
- For added stability, especially in homes with children or in earthquake-prone areas, consider securing the unit to a wall using appropriate wall-fastening devices (not included).

## PACKAGE CONTENTS

---

Before beginning assembly, verify that all components are present. The package should include:

- Shelving posts
- Shelf grids
- Adjustable feet
- Assembly hardware (screws, connectors, etc.)

*Note: A detailed parts list with quantities is typically found in the separate assembly instruction leaflet included with the product.*

## SETUP AND ASSEMBLY

---

Assembly of the OMAR shelving unit is designed to be straightforward. It is recommended to assemble the unit on a soft, clean surface to prevent scratches.

### Tools Required:

- Rubber mallet (recommended for securing shelves)
- Spirit level (for leveling the unit)

### Assembly Steps:

1. **Unpack Components:** Carefully remove all parts from the packaging and lay them out. Check against the parts list.
2. **Assemble Posts:** Connect the shelving posts according to the included assembly diagram. Ensure all connections are secure.
3. **Attach Adjustable Feet:** Screw the adjustable feet into the bottom of the shelving posts.
4. **Install Shelves:** Position the shelf clips at the desired height on the posts. Slide the shelf grids over the clips, ensuring they are firmly seated. Use a rubber mallet if necessary to gently tap the shelves into place for a secure fit.
5. **Level the Unit:** Once assembled, place the unit in its desired location. Use the adjustable feet to level the unit on uneven floors. A spirit level can help ensure perfect alignment.



Figure 1: Fully assembled OMAR shelving unit.

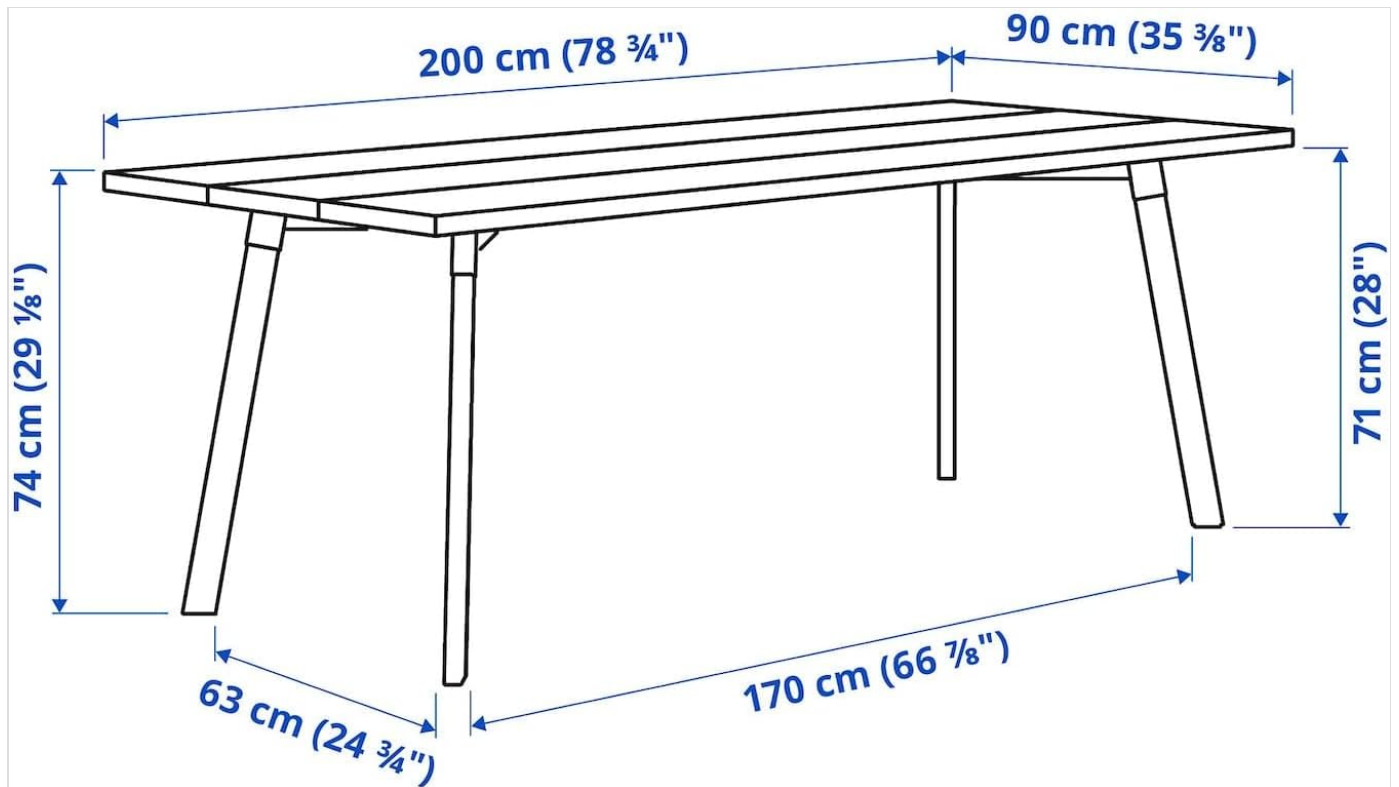


Figure 2: Detail of the adjustable foot for leveling on uneven surfaces.

## OPERATING INSTRUCTIONS

---

The OMAR shelving unit is designed for static storage. Once assembled and leveled, it is ready for use.

### Loading the Shelves:

- Distribute weight evenly across each shelf to maintain stability.
- Place heavier items on lower shelves to improve the unit's center of gravity and stability.
- Do not exceed the maximum weight capacity per shelf (refer to specifications for details, if available in the original manual).



*Figure 3: Example of items stored on the OMAR shelving unit.*



*Figure 4: OMAR shelving unit used for diverse storage needs.*

## MAINTENANCE AND CARE

---

To ensure the longevity and appearance of your OMAR shelving unit, follow these simple care instructions:

- **Cleaning:** Wipe the unit with a dry cloth. For stubborn dirt, a damp cloth with a mild cleaner can be used, followed by drying thoroughly. Avoid abrasive cleaners or scouring pads.
- **Inspection:** Periodically check all connections and fasteners to ensure they remain tight and secure.
- **Environment:** While suitable for damp areas, prolonged exposure to excessive moisture or direct water contact should be avoided to prevent corrosion of the galvanized steel.

## TROUBLESHOOTING

---

If you encounter issues with your OMAR shelving unit, consider the following common solutions:

## Unit is Wobbly/Unstable:

- **Check Leveling:** Ensure the adjustable feet are properly set to compensate for uneven floor surfaces. Use a spirit level.
- **Verify Assembly:** Re-check all connections between posts and shelves to ensure they are fully seated and secure.
- **Weight Distribution:** Ensure items are evenly distributed and not excessively heavy on one side or shelf.

## Shelves Not Sitting Flat:

- **Re-seat Shelves:** Lift and re-seat the shelf, ensuring the clips are correctly positioned and the shelf is fully pushed down onto them. A gentle tap with a rubber mallet may help.

## SPECIFICATIONS

Attribute	Detail
Brand	IKEA
Model Name	OMAR 1 Section Shelving Unit
Model Number	698.290.83
Dimensions (W x D x H)	36 1/4" x 14 1/8" x 71 1/4" (92 cm x 36 cm x 181 cm)
Material	Galvanized Steel
Number of Shelves	Typically 5 (as shown in product images for a 1-section unit)
Assembly Required	Yes
Care Instructions	Wipe with Dry Cloth
Special Features	Adjustable feet for uneven floors, suitable for damp areas indoors.

## WARRANTY INFORMATION

IKEA products typically come with a limited warranty. For specific warranty terms and conditions applicable to your OMAR shelving unit, please refer to the warranty information provided at the time of purchase or visit the official IKEA website for your region. Keep your proof of purchase for warranty claims.

## CUSTOMER SUPPORT

For further assistance, missing parts, or questions not covered in this manual, please contact IKEA customer service. Contact information can be found on the official IKEA website or on your purchase receipt.

**Online Resources:** [www.ikea.com](http://www.ikea.com)