

Manuals+

[Q & A](#) | [Deep Search](#) | [Upload](#)

manuals.plus /

- › [SMARTSTANDARD](#) /
- › [SMARTSTANDARD 6.6ft Heavy Duty Sliding Barn Door Hardware Kit Instruction Manual](#)

SMARTSTANDARD SDH0066BW01KIT01

SMARTSTANDARD 6.6ft Heavy Duty Sliding Barn Door Hardware Kit Instruction Manual

Brand: SMARTSTANDARD | Model: SDH0066BW01KIT01

1. PRODUCT OVERVIEW

The SMARTSTANDARD 6.6ft Heavy Duty Sliding Barn Door Hardware Kit provides a robust and smooth-operating solution for installing a sliding barn door. This kit is designed for durability and ease of use, offering a space-saving alternative to traditional hinged doors.

Key Features:

- **High-Quality Material:** Constructed from solid steel with a fine black powder-coated surface for corrosion resistance and longevity.
- **Smooth Operation:** Features superior quality bearings tested for 100,000 open-close cycles, ensuring stable and fluid movement. Premium nylon wheels contribute to quiet and smooth sliding.
- **Space-Saving Design:** A classic barn door design helps save space and allows for flexible room configurations.
- **Comprehensive Kit:** Includes all necessary hardware for installation, such as rails, rollers, door stops, end caps, floor guide, door handle, hex key, screws, and bolts.

2. PACKAGE CONTENTS

Verify that all components listed below are present in your package before beginning installation.

- 3.3ft Rail x 2
- Rail Spacers x 5
- Rollers x 2
- Door Stops x 2
- End Caps x 2
- Floor Guide x 1
- Door Handle x 1

- Hex Key x 1
- Screws and Bolts (suitable for 16-inch stud)

Note: The door panel is not included in this hardware kit.

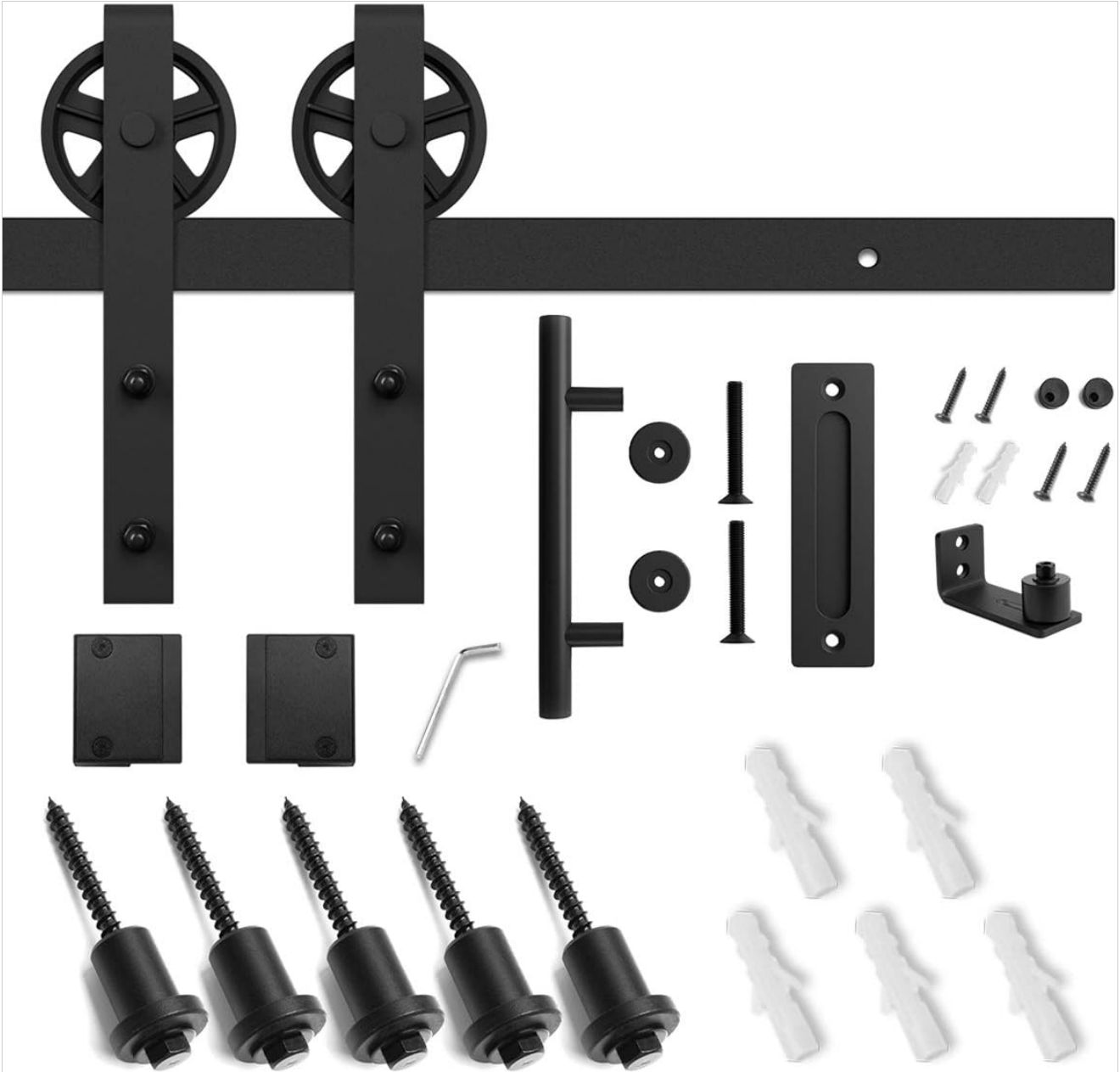


Image: All components included in the SMARTSTANDARD 6.6ft Heavy Duty Sliding Barn Door Hardware Kit.



RUBBER CUSHIONED STOPPERS

Stop your door to the tighten Point



SUPERIOR QUALITY BEARING

Tested beyond 100,000 rolls



PREMIUM NYLON WHEELS

Super smoothly and quietly



Image: Detailed view of key components: rubber cushioned stoppers, superior quality bearing, and premium nylon wheels.

3. SPECIFICATIONS

Specification	Value
Brand	SMARTSTANDARD
Color	Black
Material	Steel
Style	Modern
Item Weight	19.7 Pounds
Assembly Required	Yes
Size	6.6 Feet

Door Weight Capacity	220 lb
Fit Door Width	Up to 36"-40"
Fit Door Thickness	1 3/8" to 1 3/4"



Image: Key dimensions and weight capacity for the SMARTSTANDARD 6.6ft barn door hardware kit.

4. INSTALLATION GUIDE

Follow these steps carefully for a successful installation. It is recommended to have a second person assist during certain stages.

Before You Begin:

- Ensure your wall is structurally sound and can support the weight of the door and hardware.
- Locate wall studs using a stud finder. The kit is suitable for 16-inch stud spacing.
- Gather necessary tools: pencil, drill, level, measuring tape, wrench.

- Confirm door dimensions meet the kit's specifications (width up to 36"-40", thickness 1 3/8" to 1 3/4").
- An 8-inch clearance is needed above the top of the door for proper installation of the track and hangers.

Step-by-Step Installation:

1. **Step 1: Attach Headboard (if needed).** If your wall studs do not align with the desired track mounting points, or if you prefer extra support, attach a wooden headboard to the wall first.
2. **Step 2: Install the Metal Track.** Mark the drilling points on the wall or headboard according to the instructions. Drill pilot holes and securely fasten the metal track using the provided screws and bolts.
3. **Step 3: Install Rollers and Anti-Jump Disks.** Attach the rollers to the top of your barn door panel. Install the anti-jump disks on the top edge of the door to prevent it from lifting off the track.
4. **Step 4: Mount the Stoppers on the Track.** Slide the door stops onto the track. Adjust their position to control the door's travel distance and prevent it from rolling too far.
5. **Step 5: Mount the Door Floor Guide.** Position the floor guide on the floor directly below the door's path. Secure it to the floor to prevent the door from swinging outwards.
6. **Step 6: Lift and Place the Barn Door on the Track.** With assistance, carefully lift the barn door and hang the rollers onto the installed metal track. Ensure the anti-jump disks are properly engaged.



Image: Step-by-step visual guide for installing the barn door hardware.

Video: An overview of the SMARTSTANDARD Heavy Duty Sliding Barn Door Hardware, demonstrating its smooth operation and components. This video provides a visual aid for understanding the product's functionality and installation.

Video: A short demonstration of various sizes and styles of the Industrial Bigwheel Barn Door Hardware Kit, highlighting the different track lengths and hanger designs available. This video helps visualize the product's versatility.

5. OPERATING INSTRUCTIONS

To operate your SMARTSTANDARD sliding barn door, simply grasp the door handle and slide the door along the track. The premium nylon wheels and superior bearings ensure a smooth and quiet gliding motion. The adjustable

door stops will prevent the door from exceeding its intended travel limits.

6. MAINTENANCE

Regular maintenance will ensure the longevity and smooth operation of your barn door hardware.

- **Cleaning:** Wipe the track and rollers periodically with a soft, damp cloth to remove dust and debris. Avoid abrasive cleaners that could damage the finish.
- **Lubrication:** Apply a silicone-based lubricant to the track and roller bearings every 6-12 months, or as needed, to maintain smooth operation.
- **Inspection:** Periodically check all screws and bolts to ensure they are tight. Inspect the rollers and track for any signs of wear or damage.

7. TROUBLESHOOTING

If you encounter any issues with your barn door hardware, refer to the following common troubleshooting tips:

- **Door is difficult to slide:** Check the track for obstructions or debris. Ensure the track is level and all mounting bolts are secure. Lubricate the rollers and track.
- **Door is noisy:** Lubricate the rollers and track. Check for any loose components or debris in the roller mechanism.
- **Door wobbles:** Ensure the floor guide is securely installed and properly aligned with the door. Check that the anti-jump disks are correctly positioned and engaged. Verify all track mounting points are tight.
- **Door stops not holding position:** Tighten the set screws on the door stops to ensure they are firmly secured to the track.

8. WARRANTY AND SUPPORT

SMARTSTANDARD is committed to providing high-quality products and customer satisfaction. While specific warranty details are not provided in this manual, a dedicated customer service team is available to assist with any installation problems or product concerns.

If you encounter any issues during installation or use, please contact SMARTSTANDARD customer service via Amazon for prompt assistance.