

Olideauto SD500

Olideauto SD500 Automatic Window Opener

INSTRUCTION MANUAL

1. Introduction

This manual provides detailed instructions for the installation, operation, and maintenance of your Olideauto Model SD500 Automatic Window Opener. Please read this manual thoroughly before installation and use to ensure proper function and safety.

The Olideauto SD500 is designed for automatic opening and closing of various window types, including residential windows and greenhouse vents. It features a robust design with a two-layer stainless steel chain for durability and smooth operation.

- High-quality two-layer stainless steel chain for strength and anti-oxidation.
- Short pitch chain (08B-2) ensures low noise and stable operation.
- Built-in motor overload protection system prevents motor burnout.
- Electrophoretic processed housing surface for enhanced durability.
- CE certified, having undergone thousands of tests.

2. Safety Information

- Ensure power is disconnected before any installation or maintenance.
- Installation should be performed by qualified personnel if you are unsure.
- Keep hands and loose clothing clear of moving parts during operation.
- Do not attempt to modify the device.
- This product is designed for window opening and closing only. Do not use for other purposes.

3. Package Contents

Verify that all components are present in your package:

- Olideauto SD500 Automatic Window Opener Actuator
- Mounting Brackets (various types for different installations)
- Wall Switch Controller
- Remote Control
- Power Cable
- Instruction Manual



Figure 3.1: Main components of the Olideauto SD500 system.

4. Specifications

Model	SD500
Material	Stainless Steel
Color	Silver
Travel Distance	19.68 inches (500mm)
Input Voltage	AC100-AC240V (with internal transformer to DC24V)
Installation Type	Screw-In
Certifications	CE, UL

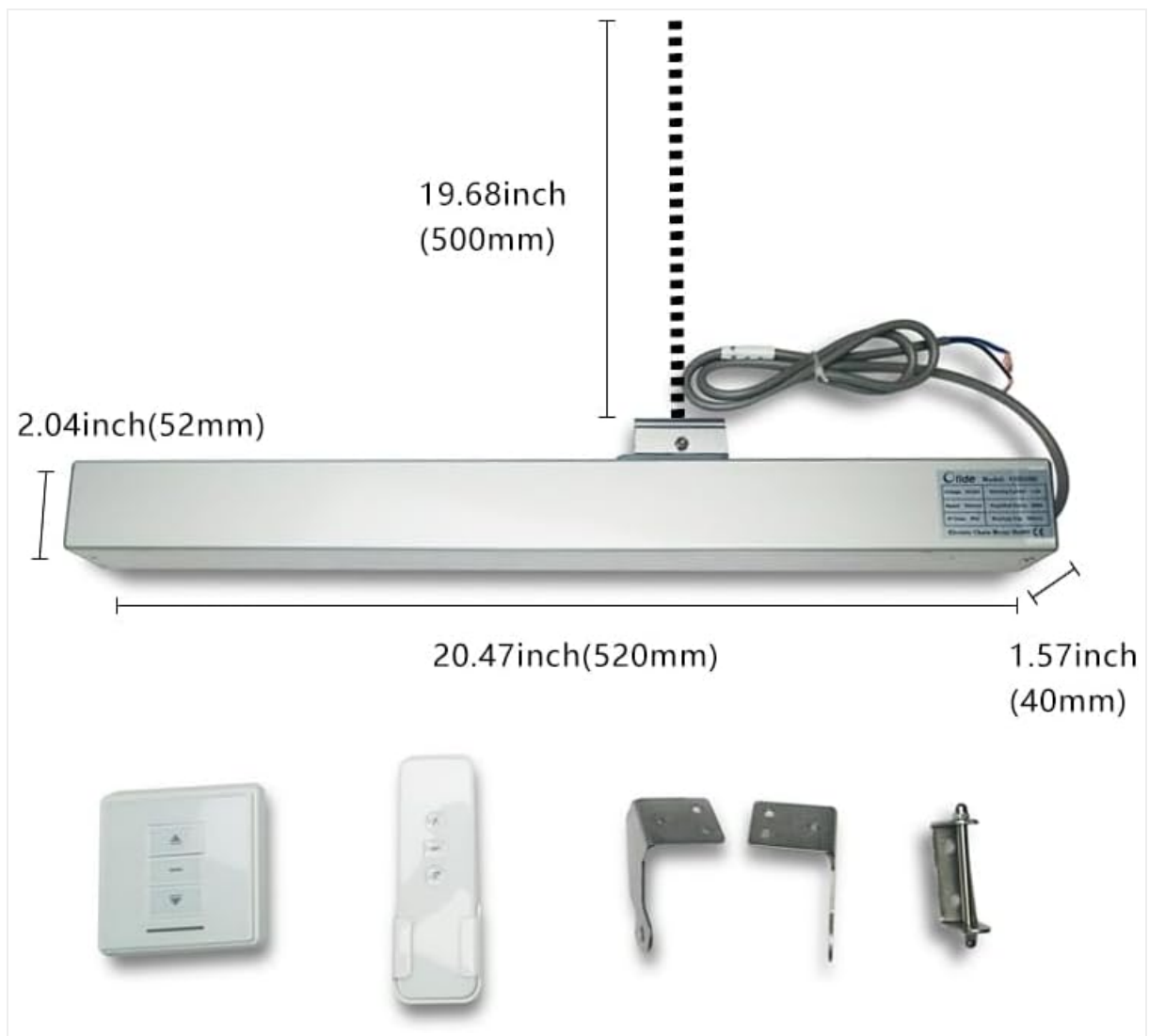


Figure 4.1: Dimensions of the SD500 actuator and components.

5. Setup and Installation

The Olideauto SD500 can be installed in various configurations to suit different window types. Ensure the mounting surface is sturdy and capable of supporting the unit.

5.1 Installation Types

The opener supports bottom suspension, top suspension, and side suspension installations.

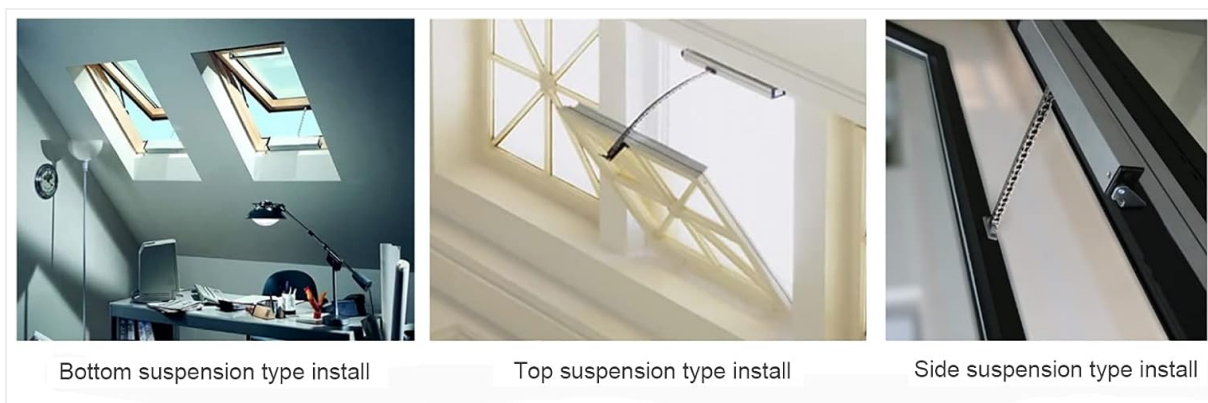


Figure 5.1: Various installation methods for the window opener.

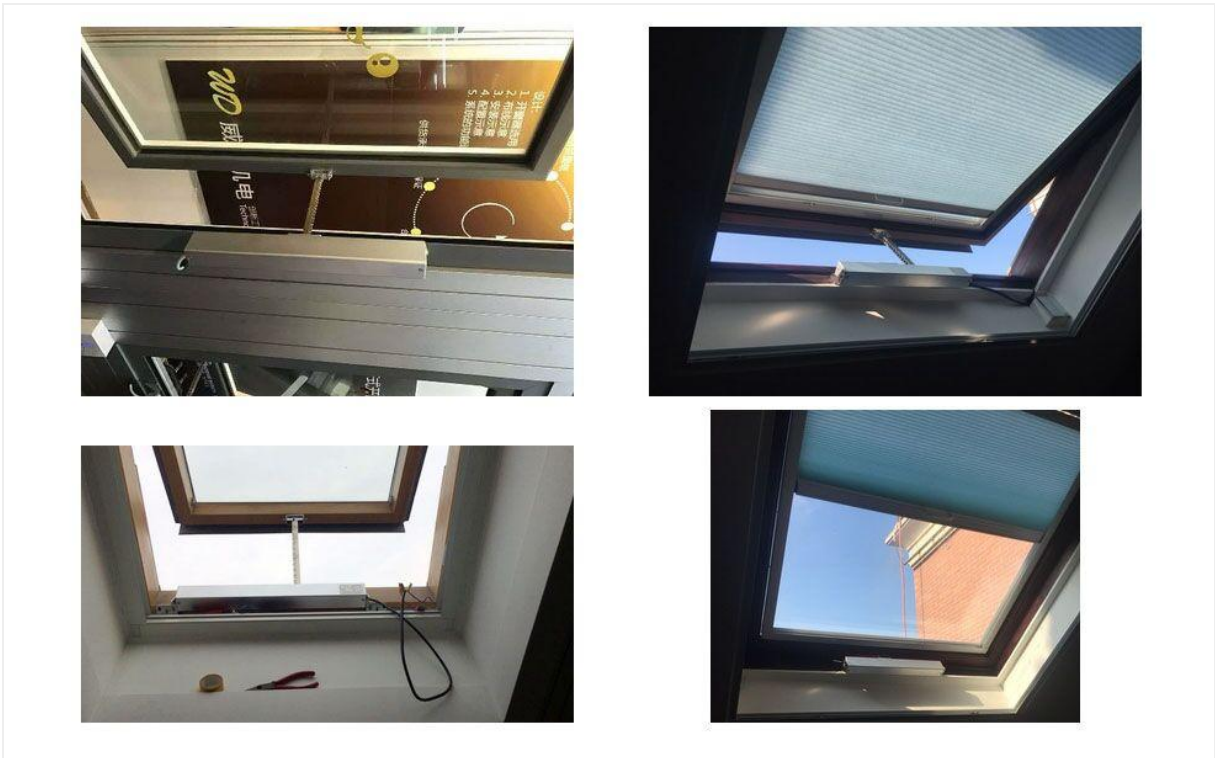


Figure 5.2: Example of an installed window opener.

5.2 Wiring Diagram

Follow the wiring diagram carefully to connect the actuator to the AC227-03 controller and power supply. Incorrect wiring can damage the unit or pose a safety hazard.

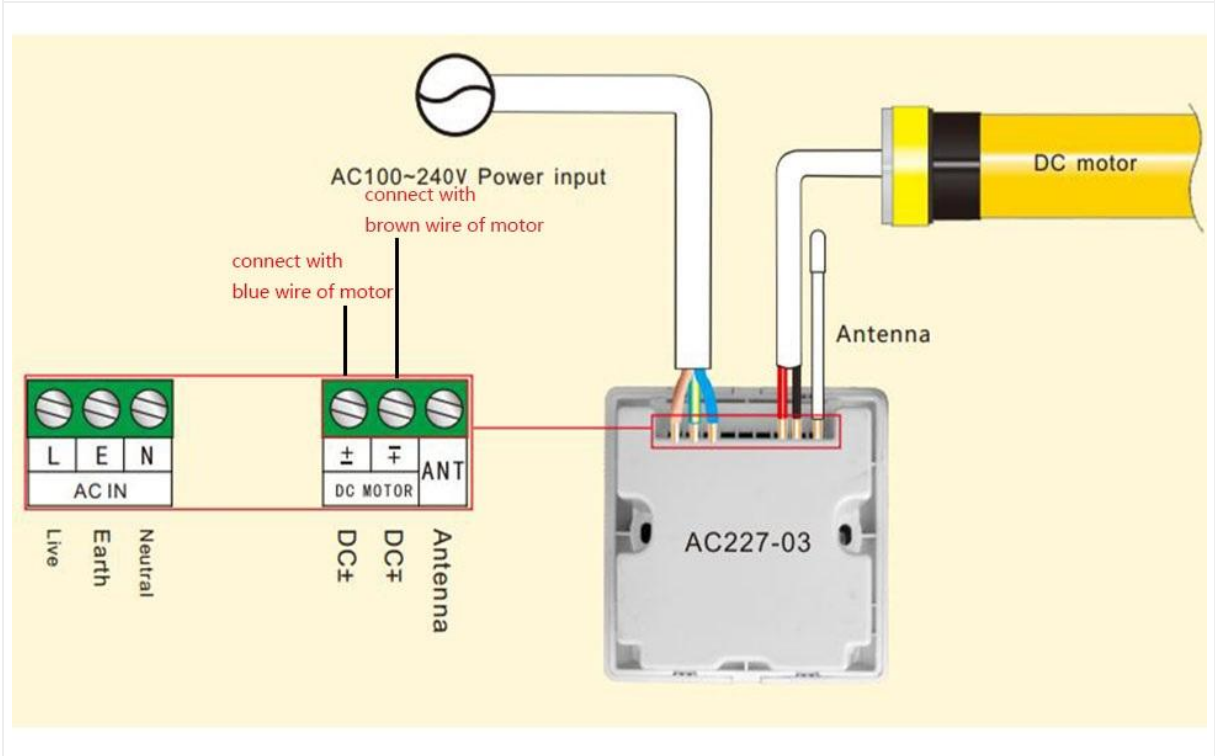


Figure 5.3: Wiring diagram for the SD500 system.

5.3 Installation Video Guide

For a visual guide on installation, refer to the following video:

Your browser does not support the video tag.

Video 5.1: Installation guide for the automatic electric single chain window opener for skylights.

6. Operating Instructions

The Olideauto SD500 can be operated using the provided wall switch or remote control.

6.1 Using the Wall Switch

The wall switch typically has three buttons: Up (open), Stop, and Down (close). Press the Up button to open the window, the Down button to close it, and the Stop button to halt movement at any desired position.

Your browser does not support the video tag.

Video 6.1: Demonstration of the Olideauto window opener in operation using a remote control.

6.2 Using the Remote Control

The remote control offers similar functionality to the wall switch, allowing you to open, close, and stop the window from a distance. Ensure the remote control has fresh batteries and is within range of the receiver.

Your browser does not support the video tag.

Video 6.2: Operating the automatic single chain window opener with a remote control.

7. Maintenance

Regular maintenance ensures the longevity and optimal performance of your window opener.

- **Cleaning:** Periodically wipe the actuator housing and chain with a soft, damp cloth. Avoid abrasive cleaners or solvents.
- **Inspection:** Check the mounting brackets and screws regularly to ensure they are secure. Inspect the power cable for any signs of damage.
- **Lubrication:** The chain mechanism is designed for low maintenance. Avoid applying excessive lubricants unless specifically instructed by Olideauto support.
- **Battery Replacement:** Replace batteries in the remote control as needed.

8. Troubleshooting

If you encounter issues with your Olideauto SD500, refer to the following common problems and solutions:

Problem	Possible Cause	Solution
Window does not open/close	No power; Remote battery low; Wiring issue; Obstruction	Check power supply; Replace remote battery; Verify wiring connections; Remove any obstructions.
Window opens/closes partially	Obstruction; Limit switch issue	Remove obstruction; Contact support if limit switch is suspected.
Unusual noise during operation	Lack of lubrication; Mechanical issue	Ensure the chain is clean; Contact support for mechanical issues.

If the problem persists after attempting these solutions, please contact Olideauto customer support.

9. Warranty and Support

The Olideauto SD500 Automatic Window Opener comes with a **60-month (5-year) product warranty**.

This warranty covers defects in materials and workmanship under normal use.

For technical assistance, warranty claims, or further inquiries, please visit the official Olideauto website or contact their customer service department. When contacting support, please have your product model (SD500) and purchase information available.