

FRANKE FXG 611-78

Franke FXG 611-78 Glacier Granite Sink Instruction Manual

Model: 114.0512.409

[Introduction](#) [Safety](#) [Setup](#) [Operation](#) [Maintenance](#) [Troubleshooting](#) [Specifications](#) [Warranty](#) [Support](#)

1. INTRODUCTION

Thank you for choosing the Franke FXG 611-78 Glacier Granite Sink. This manual provides essential information for the safe installation, operation, and maintenance of your new sink. Please read these instructions carefully before installation and retain them for future reference.

The Franke FXG 611-78 Glacier is a reversible granite basin designed for base cabinets from 45 cm. It features a convenient eccentric control with a push-button valve for easy drainage management. Its dimensions are 78 cm (width) by 50 cm (depth).

2. SAFETY INFORMATION

- Always ensure that installation is performed by a qualified professional to prevent damage or injury.
- Wear appropriate personal protective equipment (PPE) such as gloves and safety glasses during installation.
- Ensure all water connections are properly sealed to prevent leaks.
- Do not use abrasive cleaners or harsh chemicals on the sink surface, as this can damage the granite finish.
- Keep small children away from the installation area.

3. SETUP AND INSTALLATION

The Franke FXG 611-78 Glacier sink is designed for built-in installation and is reversible, allowing for flexible placement of the drainer. It requires a base cabinet with a minimum width of 45 cm.

3.1 Package Contents

Before beginning installation, verify that all components are present:

- Franke FXG 611-78 Glacier Granite Sink
- Eccentric control mechanism with push-button valve
- Mounting clips and seals
- Drain assembly
- Installation template (if included)

3.2 Preparing the Cabinet

1. Ensure the base cabinet is at least 45 cm wide and structurally sound.
2. Use the provided template to mark the cutout area on your countertop. Carefully cut the opening according to the template.

3.3 Sink Placement and Sealing

1. Apply a bead of silicone sealant around the edge of the cutout on the countertop.
2. Carefully lower the sink into the cutout, ensuring it is properly aligned.
3. Secure the sink using the provided mounting clips from underneath the countertop. Tighten them evenly to ensure a snug fit.

3.4 Connecting the Drain and Eccentric Control

1. Assemble the drain components according to the separate drain assembly instructions.
2. Connect the eccentric control mechanism to the drain and the push-button valve on the sink deck. Ensure all connections are watertight.
3. Connect the sink to your household plumbing system. Test for leaks thoroughly before regular use.

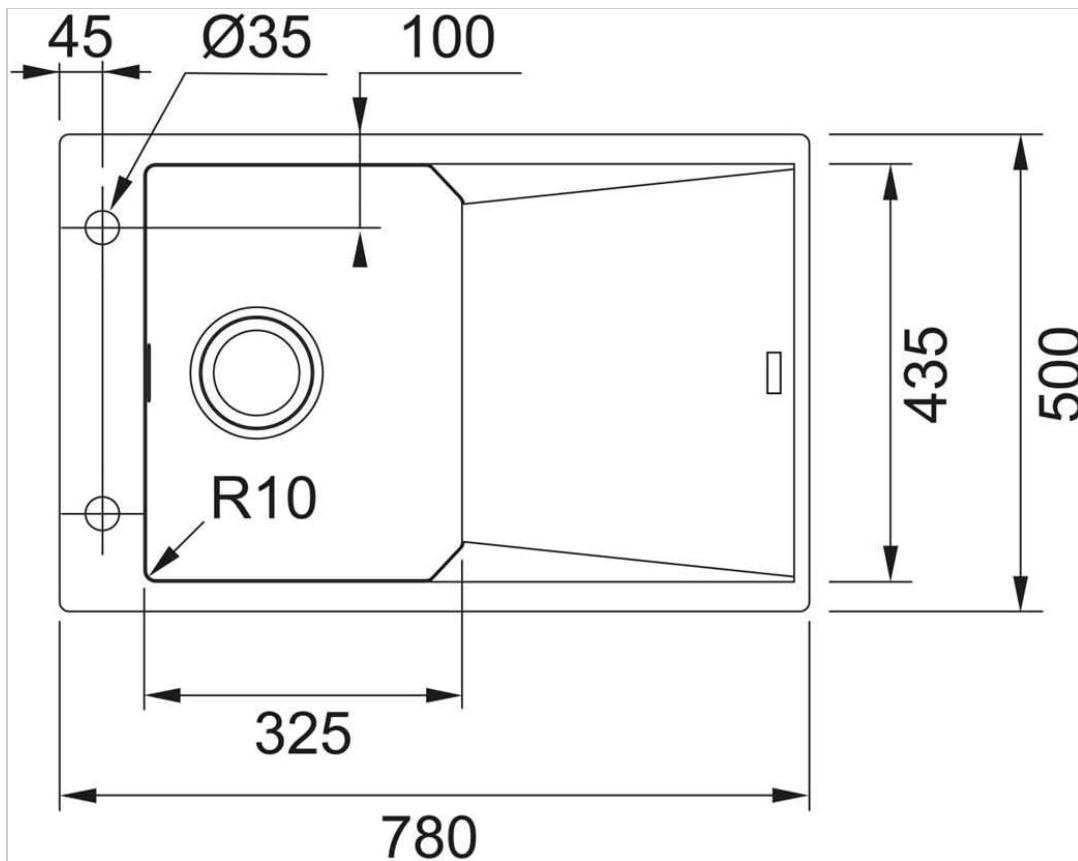


Figure 3.4.1: Technical drawing showing the dimensions of the Franke FXG 611-78 Glacier sink. The overall width is 780mm and depth is 500mm. The main bowl measures approximately 325mm wide and 435mm deep.

4. OPERATING INSTRUCTIONS

The Franke FXG 611-78 Glacier sink features an eccentric control with a push-button valve for convenient opening and closing of the drain without needing to reach into the water.

4.1 Using the Eccentric Control

- To close the drain and fill the sink with water, simply press the push-button valve located on the sink deck.
- To open the drain and allow water to flow out, press the push-button valve again.



Exzenterbetätigung mit Druckknopf

Dieses Szenebild ist beispielhaft. Alle Informationen entnehmen Sie bitte der Artikelbeschreibung.

Figure 4.1.1: A hand demonstrating the operation of the eccentric control push-button, which allows for easy opening and closing of the sink drain.



Druckknopf

Dieses Szenebild ist beispielhaft. Alle Informationen entnehmen Sie bitte der Artikelbeschreibung.

Figure 4.1.2: A detailed view of the push-button for the eccentric control, showing its design and integration into the sink deck.

5. MAINTENANCE AND CARE

Proper care will ensure the longevity and appearance of your Franke Glacier granite sink.

5.1 Daily Cleaning

- Clean the sink regularly with warm water and a mild dish soap.
- Use a soft cloth or sponge. Avoid abrasive scrubbers or steel wool, which can scratch the surface.
- Rinse thoroughly after cleaning and wipe dry to prevent water spots and mineral buildup.

5.2 Stain Removal

- For stubborn stains, use a non-abrasive cleaner specifically designed for granite or composite sinks.
- Avoid strong acids, alkalis, or bleach, as these can discolor or damage the granite.
- Rinse immediately and thoroughly after applying any cleaning agent.

5.3 Preventing Damage

- Do not place hot pots or pans directly onto the sink surface without protection, as extreme temperature changes can cause damage.
- Avoid dropping heavy or sharp objects into the sink, which could chip or crack the granite.
- The Glacier finish is a white base color with gray inclusions.

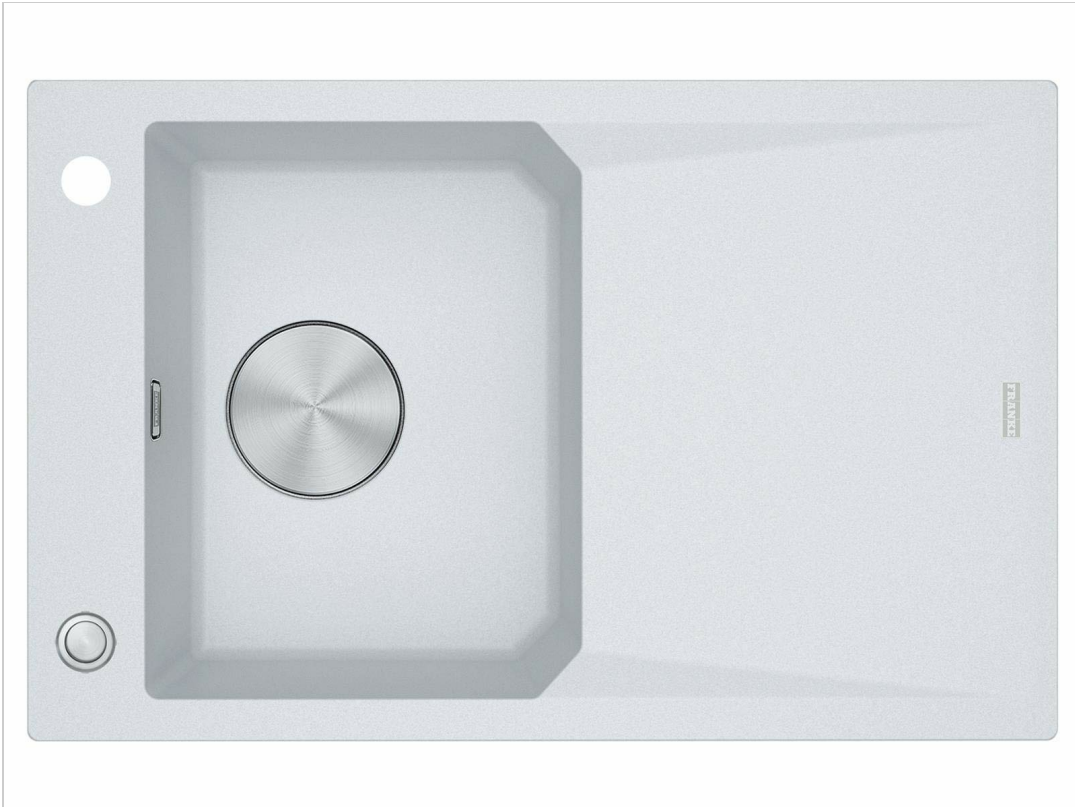


Figure 5.3.1: A close-up view of the Glacier finish, illustrating its white base color with subtle gray inclusions, characteristic of the granite material.

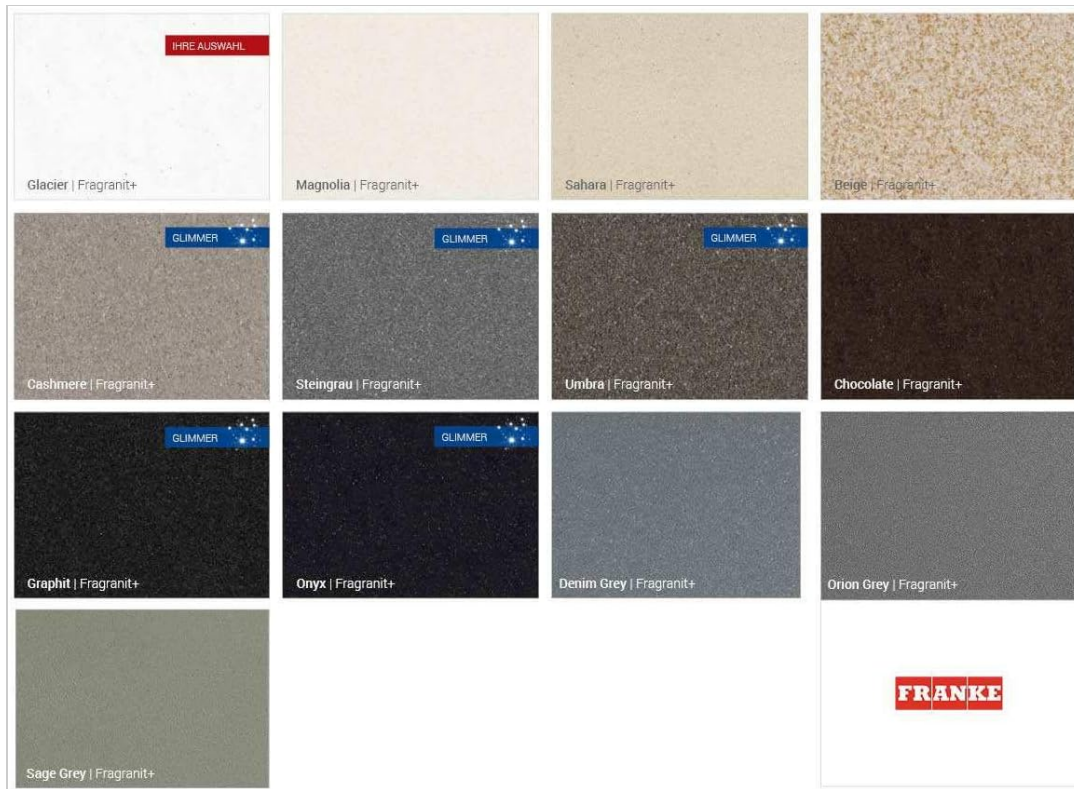


Figure 5.3.2: An overview of Franke's Fraganit+ color options, including Glacier, Magnolia, Sahara, Beige, Cashmere, Steingrau, Umbra, Chocolate, Graphit, Onyx, Denim Grey, Orion Grey, and Sage Grey. This image highlights the variety of available finishes.

6. TROUBLESHOOTING

This section addresses common issues you might encounter with your Franke sink.

Problem	Possible Cause	Solution
Water leakage around the sink edge	Improper sealing during installation or loose mounting clips.	Check and re-tighten mounting clips. Reapply silicone sealant if necessary.
Drain not closing/opening properly	Obstruction in the drain mechanism or issue with the eccentric control.	Inspect the drain for debris. Check the connection of the eccentric control cable to the drain valve.
Water spots or mineral buildup	Hard water residue left to dry on the sink surface.	Wipe the sink dry after each use. For existing spots, use a mild descaling agent or a vinegar solution, then rinse thoroughly.
Discoloration or dullness	Use of harsh chemicals or abrasive cleaners.	Refer to the maintenance section for recommended cleaning practices. Professional granite restoration may be required for severe damage.

If you encounter issues not listed here or if the suggested solutions do not resolve the problem, please contact Franke customer support or a qualified plumber.

7. SPECIFICATIONS

Feature	Detail
Brand	FRANKE
Model Number	114.0512.409

Feature	Detail
Product Type	Granite Sink (Single Bowl)
Color	Glacier (White with gray inclusions)
Material	Granite Composite (Fragranit+)
Overall Dimensions (W x D)	78 x 50 cm (780mm x 500mm)
Bowl Dimensions (W x D)	Approx. 32.5 x 43.5 cm (325mm x 435mm)
Minimum Base Cabinet Width	45 cm
Installation Type	Built-in (Topmount)
Drain Control	Eccentric control with push-button valve
Reversible	Yes
Shape	Oblong
Item Weight	13 pounds (approx. 5.9 kg)

Note: Specifications are subject to change without notice. Please refer to the official Franke website for the most up-to-date information.

8. WARRANTY INFORMATION

Franke products are manufactured to the highest quality standards and come with a manufacturer's warranty. The specific terms and duration of the warranty may vary by region and product type. Please retain your proof of purchase for any warranty claims. For detailed warranty information, including coverage and how to make a claim, please visit the official Franke website or contact your local Franke dealer.

9. CUSTOMER SUPPORT

If you have any questions about your Franke FXG 611-78 Glacier sink, require technical assistance, or need to order replacement parts, please contact Franke customer support.

- **Website:** Visit the official Franke website for FAQs, product registration, and contact details specific to your region.
- **Local Dealer:** Contact your authorized Franke dealer or retailer where you purchased the product.

When contacting support, please have your product model number (FXG 611-78) and part number (114.0512.409) readily available.