

## suptek A1+

# Suptek TV Wall Mount User Manual

Model: A1+ | Brand: Suptek

## 1. INTRODUCTION AND OVERVIEW

This manual provides detailed instructions for the safe and proper installation, operation, and maintenance of your Suptek Full Motion TV Wall Mount (Model A1+). Designed for most 23 to 55 inch televisions weighing up to 55 lbs, this mount offers versatile viewing angles with its swivel and tilt capabilities. Please read this manual thoroughly before beginning installation to ensure a secure and optimal setup.

## 2. PRODUCT FEATURES

- **Compatibility:** Supports most 23-55 inch TVs with a maximum weight of 55 lbs and VESA mounting patterns up to 400x400mm.
- **Adjustability:** Offers a tilt range of +3° to -12° and a swivel range of 180° left and right for optimal viewing from various positions.
- **Space-Saving Design:** Keeps your TV approximately 2.36 inches (60mm) from the wall when fully retracted, providing a sleek and tidy appearance.
- **Easy Installation:** Comes with a step-by-step user manual and an organized hardware kit for a hassle-free mounting process. Includes extra cable ties and a magnetic bubble level.

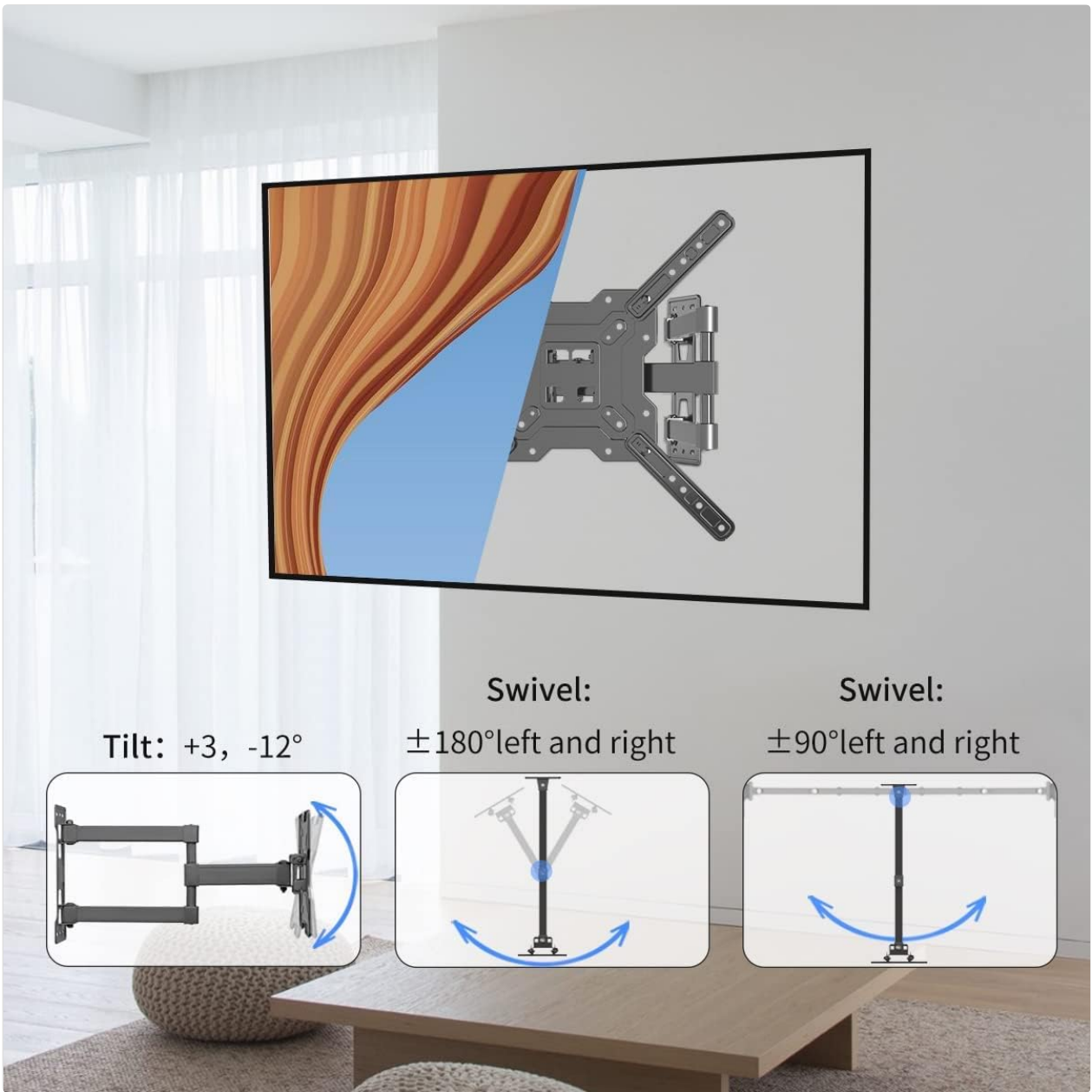


Figure 2.1: Illustration of the mount's tilt and swivel adjustments.

Product size (mm/in)

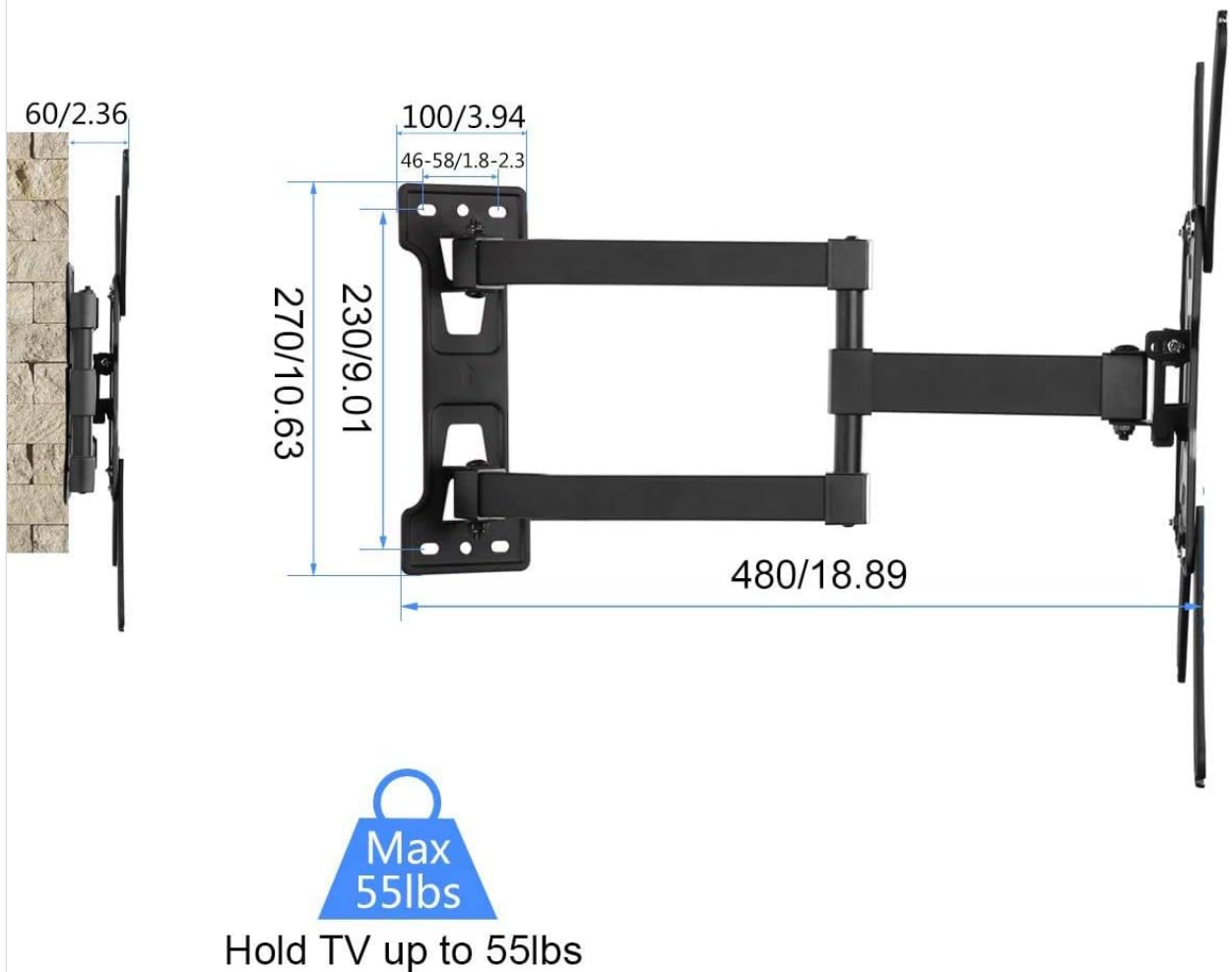


Figure 2.2: Product dimensions and weight capacity.

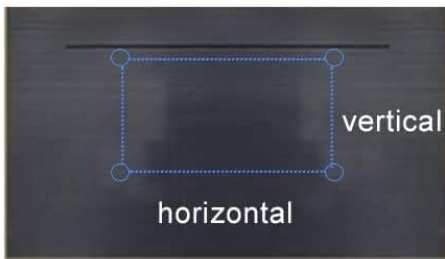
### 3. PACKAGE CONTENTS

Please verify that all parts are present and undamaged before beginning installation. If any parts are missing or defective, please contact Suptek customer support.

- 1 x TV Wall Mount Assembly
- 1 x Mounting Hardware Kit (various screws, anchors, washers)
- 1 x User Manual
- Extra Cable Ties
- 1 x Magnetic Bubble Level

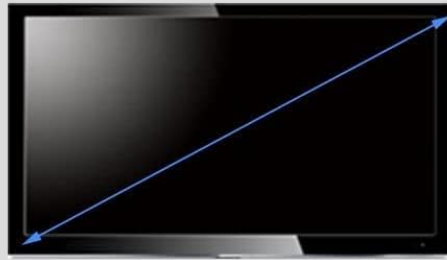
# Will this mount fit your TV?

## VESA



- Min: 100x100 mm
- Max: 400x400 mm

## TV Specifications



- Weight: Max 55 lbs
- Size: 23-55"  
(size for reference only)

## Cables Outlet



Cable blockage attention

## Wall Types



- Single wood studs
- Concrete wall

Figure 3.1: All installation parts included in the package.

## 4. COMPATIBILITY CHECK

Before purchasing or installing, it is crucial to verify the following:

- **VESA Pattern:** Check the four mounting holes on the back of your TV. Measure the horizontal and vertical distance between them. This mount supports VESA patterns from 100x100mm up to 400x400mm.
- **TV Weight:** Ensure your TV's weight does not exceed the mount's maximum capacity of 55 lbs.
- **TV Size:** Compatible with most 23-55 inch televisions.
- **Wall Type:** The mount is designed for installation on single wood studs or solid concrete walls. **Do not mount on drywall alone.**
- **Blocked Inputs/Outlets:** Verify that the mount's design will not block any essential inputs or outlets on the back of your TV.

# Available VESA Patterns

mounting holes on the back of TV



100X100MM/200X200MM  
200X100MM/100X200MM



300X300MM/400X400MM



200X300MM/200X400MM



400X300MM



300X200MM/400X200MM

Figure 4.1: Will this mount fit your TV? Compatibility checks.

# Easy Installation

Do not mount on drywall alone!

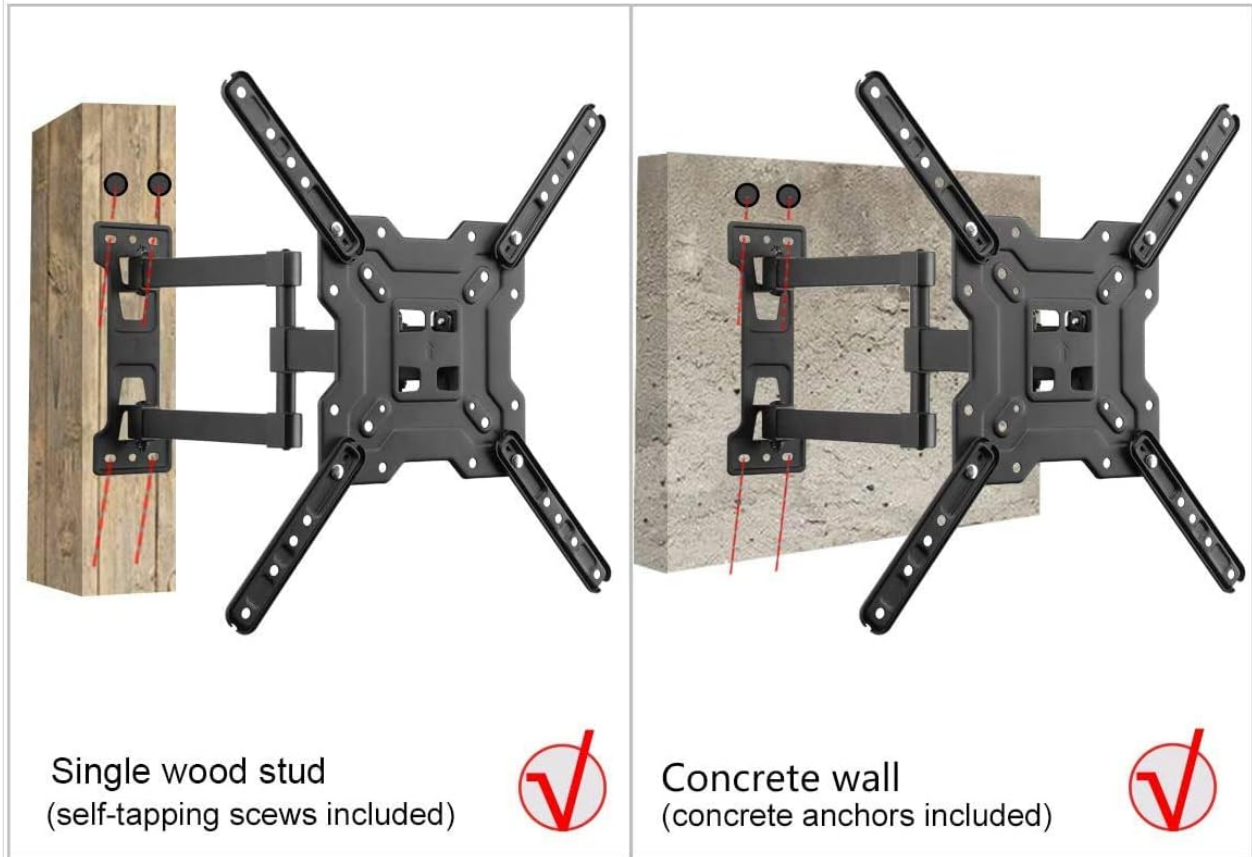


Figure 4.2: Available VESA Patterns.

## 5. SAFETY INFORMATION

Improper installation can result in serious injury or damage. Please follow these safety guidelines:

- **Professional Installation Recommended:** If you are unsure about the installation process, consult a qualified professional.
- **Wall Structure:** Ensure the mounting surface can safely support the combined weight of the mount and your TV.
- **Tools:** Use appropriate tools for installation.
- **Children:** Keep children away from the work area during installation.
- **Over-tightening:** Do not over-tighten screws, as this may cause damage.
- **Weight Limit:** Never exceed the maximum weight capacity of 55 lbs.

## 6. INSTALLATION GUIDE (SETUP)

This section outlines the general steps for installing your Suptek TV Wall Mount. Refer to the included detailed user manual for specific, step-by-step diagrams and instructions.

1. **Preparation:** Gather necessary tools (drill, stud finder, level, pencil, screwdriver).
2. **Locate Stud/Concrete:** Use a stud finder to locate the center of a wood stud, or identify a suitable concrete wall section. Mark the drilling locations.

3. **Drill Pilot Holes:** Drill pilot holes at the marked locations. For wood studs, use self-tapping screws. For concrete walls, insert concrete anchors before securing screws.
4. **Attach Wall Plate:** Secure the wall plate to the wall using the provided screws. Ensure it is level using the magnetic bubble level.
5. **Attach TV Brackets:** Attach the TV brackets to the back of your television using the appropriate screws and spacers from the hardware kit.
6. **Mount TV to Wall Plate:** Carefully lift the TV with the attached brackets and hook it onto the wall plate. Secure the TV to the mount using the safety screws.
7. **Cable Management:** Use the included cable ties to neatly route and secure cables along the mount arms.

## All installation parts are included

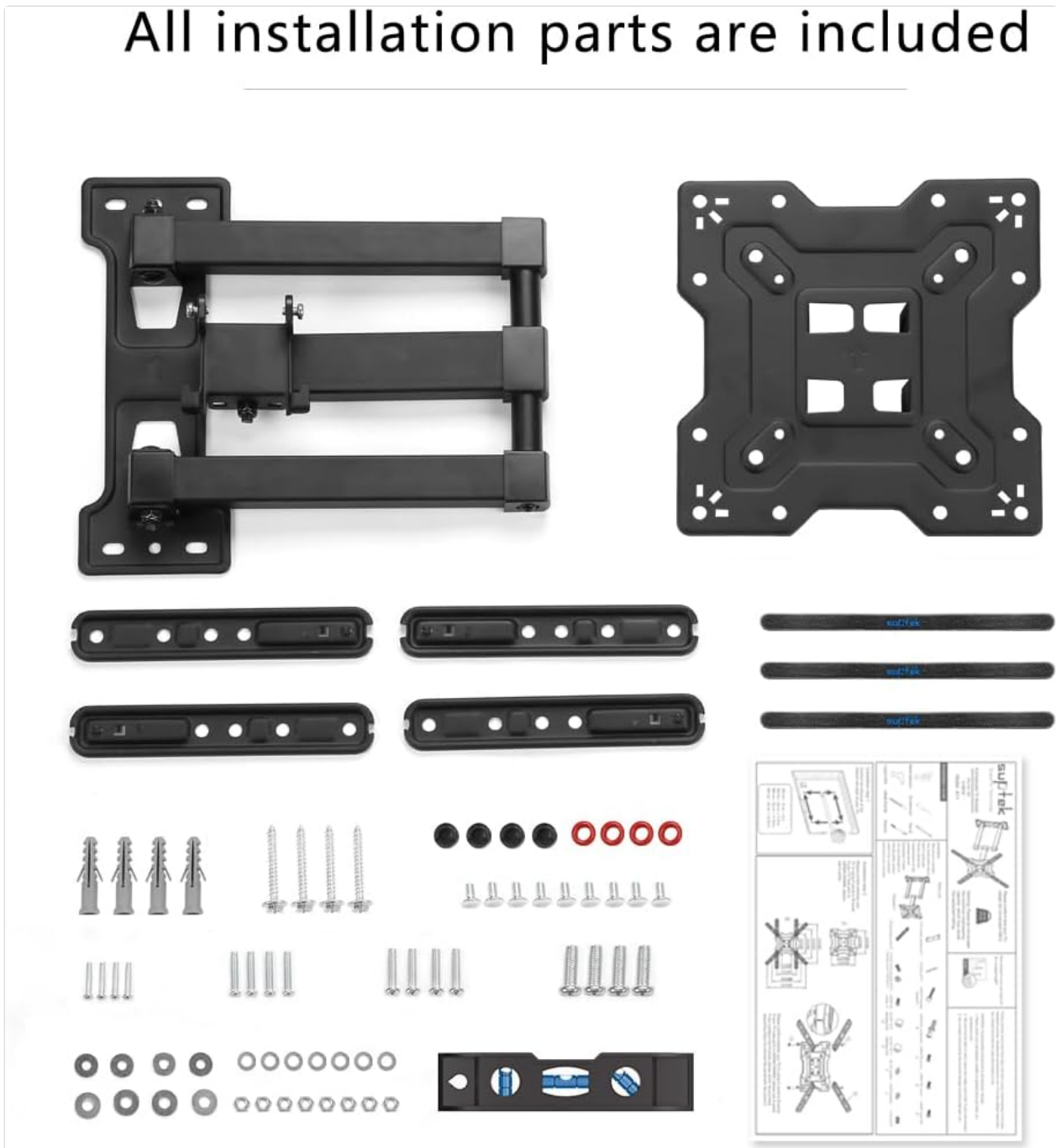


Figure 6.1: Easy Installation - Wall Type Considerations.

## 7. OPERATION AND ADJUSTMENT

Once installed, your Suptek TV mount allows for easy adjustment to achieve the best viewing experience:

- **Tilting:** Loosen the tilt knobs on the TV brackets, adjust the screen to your desired vertical angle (+3° to -12°), and then re-tighten the knobs to secure the position.
- **Swiveling:** Gently push or pull the TV to swivel it horizontally (up to 180° left or right) along the articulated arm. The friction joints are designed to hold the position.
- **Extending/Retracting:** Pull the TV away from the wall to extend the arm, or push it back towards the wall to retract it.

## 8. MAINTENANCE

Regular maintenance ensures the longevity and safe operation of your TV mount:

- **Periodic Inspection:** Every few months, check all screws and connections to ensure they are tight and secure.
- **Cleaning:** Wipe the mount with a soft, dry cloth. Avoid using abrasive cleaners or solvents.
- **Lubrication:** The articulating joints are designed for smooth movement and generally do not require lubrication. If movement becomes stiff, consult customer support.

## 9. TROUBLESHOOTING

If you encounter issues with your TV mount, refer to the following common problems and solutions:

Problem	Possible Cause	Solution
TV is not level	Wall plate not level during installation.	Carefully adjust the TV's level using the fine-tuning screws on the TV brackets, if available, or re-level the wall plate.
Mount feels loose on the wall	Screws are not fully tightened or improper wall type.	Ensure all wall plate screws are securely tightened. Verify the wall type is suitable (wood stud or concrete) and not just drywall.
TV cannot tilt or swivel	Tilt knobs are too tight or movement is restricted.	Loosen the tilt knobs slightly. Check for any obstructions preventing movement.
Cables are blocked by the mount	TV inputs/outlets are in an unfortunate position.	This should be checked during compatibility. If already mounted, consider using angled adapters for cables.

## 10. SPECIFICATIONS

Feature	Detail
Product Dimensions	12.36 x 10.67 x 2.56 inches
Item Weight	5.85 pounds
Item Model Number	A1+
Mounting Type	Wall Mount
Movement Type	Swivel, Tilt, Articulating
Brand	suptek

Feature	Detail
Maximum Compatible Size	55 Inches
Color	Black
Minimum Compatible Size	23 Inches
Compatible Devices	Monitor, Television
Maximum Tilt Angle	3 Degrees (forward tilt)
Country of Origin	China

## 11. WARRANTY AND SUPPORT

Suptek products are manufactured with quality and care. For warranty information or technical support, please refer to the official Suptek website or contact their customer service directly. Keep your purchase receipt for warranty claims.

For a downloadable PDF version of this user manual, please visit: [Suptek TV Mount User Manual \(PDF\)](#)