

Menics PTE-SCF-102-G-B

Menics PTE-SCF-102-G-B LED Stack Tower Light Instruction Manual

Model: PTE-SCF-102-G-B

1. PRODUCT OVERVIEW

The Menics PTE-SCF-102-G-B is a 56mm LED modular stack tower light designed for industrial applications. This model features a single green LED stack with steady/flash operation, direct mounting, and a black body. It is prewired with a 25-inch lead and operates on 24V AC/DC power. The modular design allows for the addition or replacement of LED modules or an optional buzzer kit.

- **Diameter:** Ø56mm (2.2") LED Modular Stack Light.
- **Mounting:** Lead wire type & Direct mounting type (can be surface-mounted with M20 Nut).
- **Certifications:** UL Listed (Ref.# E211224), CE Certified, IP65 Rated.
- **Visibility:** Features a prism-cut lens for clearly visible bright light.
- **Modularity:** LED modules or optional buzzer kits can be added or replaced.

2. SPECIFICATIONS

Detailed technical specifications for the PTE-SCF-102-G-B LED Stack Tower Light are provided below.

Feature	Detail
Operation/Function	Steady / Flashing
Power Supply	24V AC/DC, 90-240V AC 50/60 Hz (for multi-stack models)
Alarm Sound Level (Optional Buzzer)	Fixed: 80±5dB, Adjustable: 10-80±5dB, 10-100±5dB
Lens Color	Red, Yellow, Green, Blue & Clear (Green for this model)
Lens Diameter	56 mm (2.2 inch)

Feature	Detail
Maximum Tier	5
Flash Rate	80±5 times/minute
Vibration	0.75mm at 10-55Hz
Ambient Temperature	-15~+40°C
Storage Temperature	-20~+70°C
Ambient Humidity	45~85% RH
Degree of Protection	IP65 / IP50 (with Buzzer)
Approvals	CE, UL, RoHS
Recommended Wire Size	1007 UL / 22 AWG
Material	Lead (for wiring)
Light Source Type	Light Emitting Diode
Item Weight	11.2 ounces (approx. 317g)
Voltage	24 Volts AC/DC

Note: Some specifications, like power supply options, refer to the broader PTE-AF series which includes models with different voltage requirements. This specific model (PTE-SCF-102-G-B) operates on 24V AC/DC.

Specifications

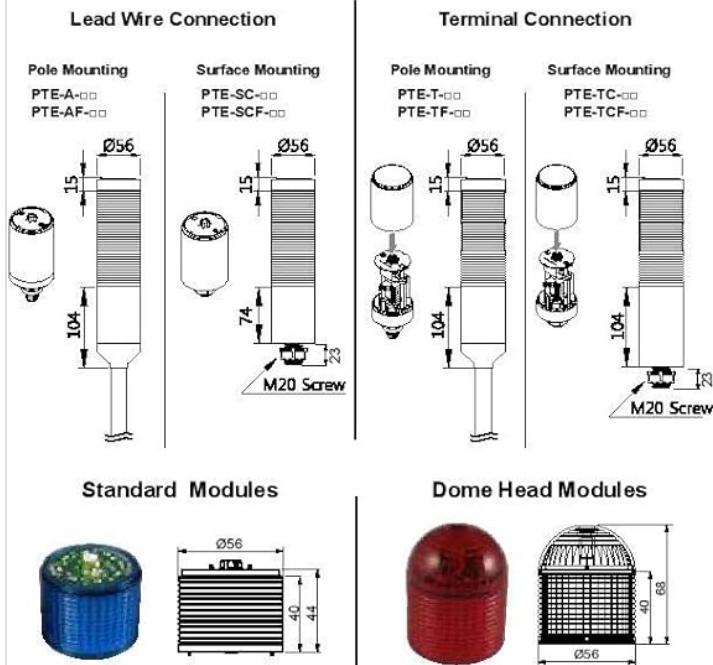
Body Units	
Operation/Function	Steady/ Flashing
Power Supply	24V AC/DC, 90~240V AC 50/60 Hz
Alarm Sound Level	Fixed: 80±5dB Adjustable: 10~80±5dB, 10~100±5dB
Lens Color	Red, Yellow, Green, Blue & Clear
Lens Diameter	56 mm (2.2 inch)
Maximum Tier	5
Flash Rate	80±5 times/ minute
Vibration	0.75mm at 10~55Hz
Ambient Temperature	-15°C~40°C
Storage Temperature	-20°C ~ 70°C
Ambient Humidity	45~85% RH
Degree of Protection	IP65 / IP50 (with Buzzer)
Approvals	CE , UL, RoHS
Recommended Wire Size	1007 UL / 22 AWG

LED Modules						
Color		Red	Yellow	Green	Blue	Clear
Current Consumption	24V	33mA	27mA	42mA	42mA	42mA
	90-240V	17mA	17mA	22mA	22mA	22mA
Weight	Approx. 43g					

Buzzer Kits			
Model	MPZ-56F-B	MPZ-56G-B	MPZ-56H-B
Style	Fixed Sound	Adjustable Sound	Adjustable Sound
Sound Level	80±5dB	10~80±5dB	10 ~ 100±5dB
Current Consumption / Power	30mA / 0.72W	30mA/ 0.72W	150mA / 3.6W
Weight	32.2g	33g	33g

Dimensions

unit: mm



www.amerimotion.net

Wiring Diagram

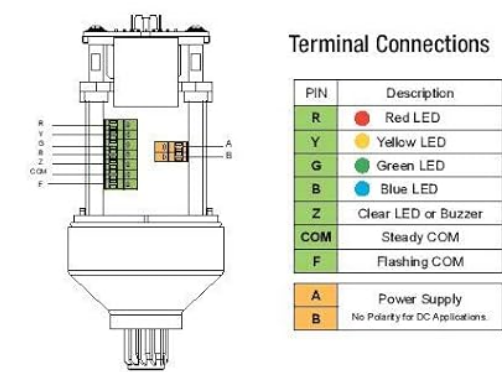
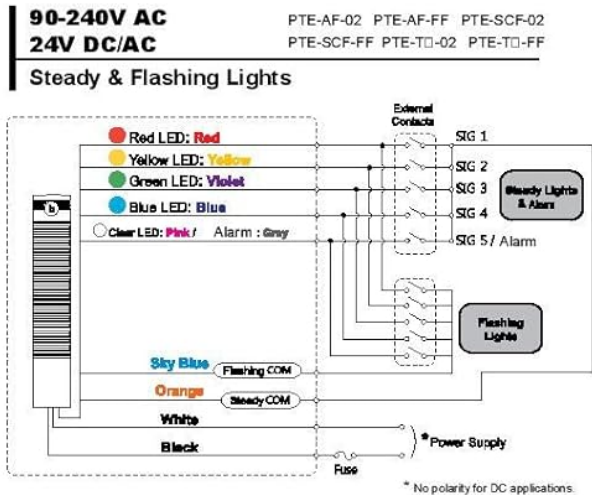
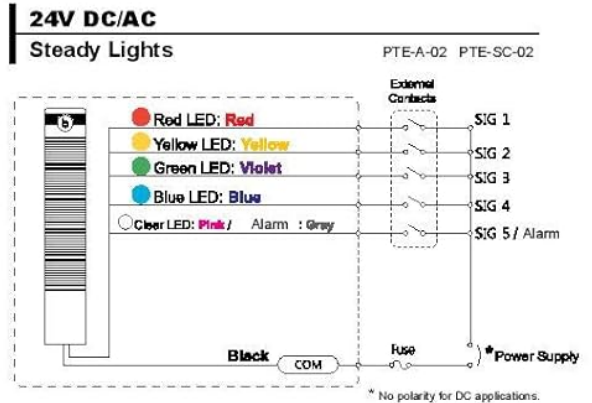
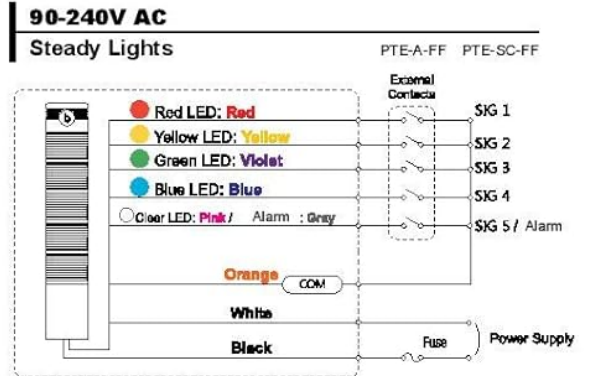


Figure 2.1: Specifications and Wiring Diagrams. This image provides a comprehensive overview of the product's technical data, including electrical characteristics, environmental ratings, and detailed wiring instructions for both 90-240V AC and 24V AC/DC models. It also illustrates the dimensions of various module types and terminal connections.

3. SETUP AND INSTALLATION

Proper installation is crucial for the safe and effective operation of your Menics LED Stack Tower Light. This model features a direct mounting type with lead wires.

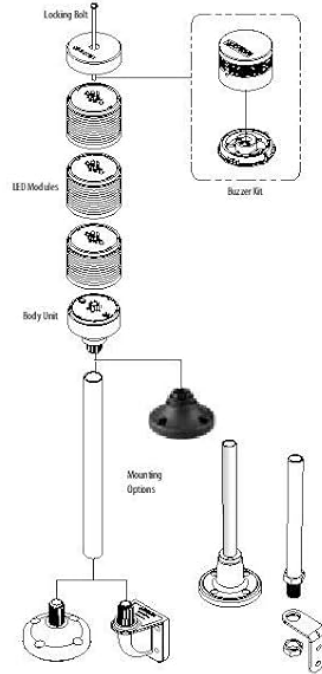
3.1 Mounting

The PTE-SCF-102-G-B is designed for direct mounting and can be surface-mounted using an M20 Nut. Optional wall mounting brackets are available separately (e.g., MAM-DS25).

PTE Series

Ø56mm LED Modular Stack Light
Steady & Flashing lights with buzzer

- LED modular components
- Optional buzzer at 80 or 100dB (fixed or adjustable volume)
- Lead wire or terminal connection
- Pole mounting or direct mounting



Ordering Information

PTE - A F - 3 02 - RYGBC - B					
①	②	③	④	⑤	⑥
① Top Head Style	PTE	Standard			
	PTD	Dome Head			
② Body Unit Mounting / Connection	A	Pole Mounting / Lead Wires			
	SC	Direct Mounting / Lead Wires			
	T	Pole Mounting / Terminal Connection			
	TC	Direct Mounting / Terminal Connection			
③ Light Style	F	Steady Light			
	F	Steady & Flashing Light			
④ Number of Stacks	1	1 Light			
	2	2 Lights			
	3	3 Lights			
	4	4 Lights			
	5	5 Lights			
⑤ Power Supply	02	24V AC/DC			
	FF	90~240V AC			
⑥ Lens Colors (top to bottom)	R	Red			
	Y	Yellow			
	G	Green			
	B	Blue			
	C	Clear			

Optional Parts

Body Units

Body Type	Voltage	Part Number		
		Steady	Steady & Flashing	
Lead Wire Connection	Pole Mounting	90-240V AC	PTE-A-FF-B	PTE-AF-FF-B
		24V AC/DC	PTE-A-02-B	PTE-AF-02-B
	Direct Mounting	90-240V AC	PTE-SC-FF-B	PTE-SCF-FF-B
		24V AC/DC	PTE-SC-02-B	PTE-SCF-02-B
Terminal Connection	Pole Mounting	90-240V AC	PTE-T-FF-B	PTE-TF-FF-B
		24V AC/DC	PTE-T-02-B	PTE-TF-02-B
	Direct Mounting	90-240V AC	PTE-TC-FF-B	PTE-TCF-FF-B
		24V AC/DC	PTE-TC-02-B	PTE-TCF-02-B

LED Modules

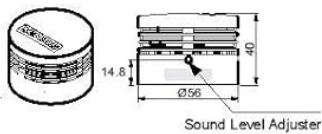
LED Color	Part Number	
	Standard Module	Dome Head Module
Red	PTE-02-R	PTD-02-R
Yellow	PTE-02-Y	PTD-02-Y
Green	PTE-02-G	PTD-02-G
Blue	PTE-02-B	PTD-02-B
*Clear	PTE-02-C	PTD-02-C

*Clear Module cannot be used with Buzzer.

Locking Bolts

	# Lights	Part Number	Size
PTE	1 Stack	B-PTE-1	M4, 65mm
	2 Stacks	B-PTE-2	M4, 105mm
	3 Stacks	B-PTE-3	M4, 145mm
	4 Stacks	B-PTE-4	M4, 185mm
	5 Stacks	B-PTE-5	M4, 225mm
PTD	1 Stack	B-PTD-1	M4, 83mm

*Note: Do NOT count Buzzer as a stack.



Buzzer Kits (Optional)

Alarm Style	Part Number
Fixed Sound Level	MPZ-56F-B
Adjustable up to 80±5dB	MPZ-56G-B
Adjustable up to 100±5 dB	MPZ-56H-B

*Note: Max. number of tier including Buzzer is 5.

See page 21-23 for mounting options and accessories

Figure 3.1: Product Components and Assembly. This diagram illustrates the various modular components of the stack light, including the top head, body unit, light style, number of stacks, and power supply. It also shows an exploded view of the assembly process and different mounting types.

Mounting Options (Menics PTE, PTD, PTM Series)

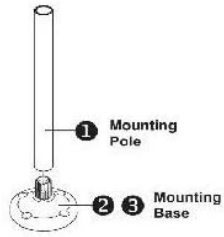
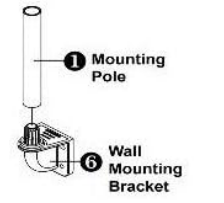
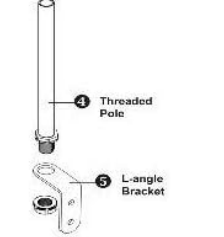

Light Type	Mounting Type	Mounting Parts		Mounting Example
PTE-A PTE-T PTD-A PTD-T PTM-A PTM-T (Pole Mounting Type)	Pole Mounting	Mounting Pole	Mounting Base	
		MAP-0060 (L: 60mm) MAP-0240 (L: 240mm) MAP-0750 (L: 750mm) MAP-1000 (L: 1,000mm)	MAM-B070C (Plastic) MAM-B070D (Plastic, Gasket) MAM-DS32A (Aluminum) MAM-B070R (Plastic, Folding) MAM-470R-20 (Plastic, Folding) MAM-DS42R-20C (Aluminum, Folding)	
	Pole Mounting + Wall Mounting	Mounting Pole	Wall Mounting Bracket	
		MAP-0060 (L: 60mm) MAP-0240 (L: 240mm) MAP-0750 (L: 750mm) MAP-1000 (L: 1,000mm)	MAP-DS40 (Plastic)	
		Mounting Pole	Wall Mounting Bracket	
		MAP-M043 (L: 43mm, M20 Nut) MAP-M240 (L: 240mm, M20 Nut) MAP-M750 (L: 750mm, M20 Nut) MAP-M1000 (L: 1,000mm, M20 Nut)	MAM-DS25 (L-angle, Metal)	
PTE-SC PTE-TC PTD-SC PTD-TC PTM-SC PTM-TC (Direct Mounting Type)	Wall Mounting	Wall Mounting Bracket		 <p style="text-align: center;">Wall Mounting Bracket</p>
		MAM-DS25 (L-angle, Metal)		

Figure 3.2: Mounting Options. This image details various mounting configurations, including pole mounting and wall mounting, along with corresponding part numbers for poles, bases, and brackets. It provides visual examples of how different mounting types are assembled.

For direct mounting, ensure a secure surface and use an M20 nut to fasten the unit. If using a wall mounting bracket, refer to the specific instructions provided with the bracket (e.g., MAM-DS25).

3.2 Wiring

The PTE-SCF-102-G-B model is prewired with a 25-inch lead for connection to a 24V AC/DC power source. Refer to the wiring diagrams for correct terminal connections.

- **24V AC/DC Steady Lights (PTE-A-02, PTE-SC-02):**
 - Red wire: Red LED
 - Yellow wire: Yellow LED (not applicable for this single green stack model)
 - Green wire: Green LED (Connect to 24V AC/DC positive/live)
 - Blue wire: Blue LED (not applicable for this single green stack model)
 - Black wire: Common (Connect to 24V AC/DC negative/neutral)

Ensure all connections are secure and insulated to prevent electrical hazards. Always disconnect power before performing any wiring or installation work.

4. OPERATING INSTRUCTIONS

The PTE-SCF-102-G-B LED Stack Tower Light provides both steady and flashing light functions for its green LED module.

- **Steady Mode:** When power is applied to the green LED circuit, the light will illuminate continuously.
- **Flashing Mode:** The unit is designed to operate in a steady/flash mode. The flash rate is approximately 80±5 times per minute.

The specific operation (steady or flashing) is determined by the internal circuitry of the unit. For this model, it supports both steady and flashing operation as indicated by "Steady/Flash" in its description.

5. MAINTENANCE

The Menics LED Stack Tower Light is designed for durability and requires minimal maintenance. Regular inspection can help ensure long-term performance.

- **Cleaning:** Periodically clean the lens with a soft, damp cloth to remove dust and debris. Avoid abrasive cleaners that could scratch the lens.
- **Inspection:** Check wiring connections for any signs of wear, corrosion, or looseness. Ensure the mounting is secure.
- **Module Replacement:** In the event of an LED module failure, the modular design allows for easy replacement. Disconnect power, unfasten the faulty module, and replace it with a new, compatible module.
- **Environmental Conditions:** Ensure the operating environment remains within the specified temperature and humidity ranges (-15~+40°C, 45~85% RH) to prevent damage.

Always disconnect power to the unit before performing any maintenance or cleaning procedures.

6. TROUBLESHOOTING

If you encounter issues with your LED Stack Tower Light, refer to the following troubleshooting guide:

Problem	Possible Cause	Solution
Light does not illuminate	No power supply Incorrect wiring Faulty LED module	Check power source and circuit breaker. Verify wiring connections against the diagram. Replace the LED module if faulty.
Light flickers or is dim	Unstable power supply Loose wiring connection Aging LED module	Ensure stable 24V AC/DC power. Check and secure all wiring connections. Consider replacing the LED module.
Light does not flash (if expected)	Internal circuit issue	Contact Menics support for assistance or consider module replacement.
Physical damage to unit	Impact or improper handling	Assess damage. Replace affected components or the entire unit if necessary.

If the problem persists after attempting these solutions, contact Menics customer support for further assistance.

7. OPTIONAL ACCESSORIES

Enhance the functionality of your Menics LED Stack Tower Light with compatible optional accessories.

7.1 Optional Buzzers

Buzzer kits can be added to provide audible alerts. These are sold separately.

- **MPZ-56F-B:** 80dB fixed sound level.
- **MPZ-56G-B:** Adjustable sound level up to 80dB.
- **MPZ-56H-B:** Adjustable sound level up to 100dB.

7.2 Optional Mounting Brackets

For alternative mounting configurations, various brackets are available.

- **MAM-DS25:** Optional wall mounting bracket (L-angle, Metal).
- Other pole mounting and base options are available for the PTE-AF series, as detailed in the mounting options diagram.

8. WARRANTY AND SUPPORT

For warranty information and technical support, please refer to the official Menics website or contact your authorized Menics distributor. Keep your purchase receipt for warranty claims.

Manufacturer: MENICS

Part Number: PTE-SCF-102-G-B

ASIN: B07GH8BXJS