

Manuals.plus /

› Amica /

› Amica EHC 934 001 E Built-in Oven and Ceramic Hob Set User Manual

Amica EHC 934 001 E

Amica EHC 934 001 E Built-in Oven and Ceramic Hob Set User Manual

Model: EHC 934 001 E

1. INTRODUCTION

Thank you for choosing the Amica EHC 934 001 E Built-in Oven and Ceramic Hob Set. This manual provides essential information for the safe and efficient installation, operation, and maintenance of your new appliance. Please read these instructions carefully before using the appliance and keep them for future reference. This appliance combines a versatile electric oven with a high-performance ceramic hob, designed to meet your cooking needs with convenience and reliability.

2. SAFETY INFORMATION

Important Safety Instructions:

- Read all instructions before using the appliance.
- This appliance must be installed by a qualified person in accordance with local regulations.
- Do not store flammable materials in or near the appliance.
- Ensure the appliance is properly earthed.
- Keep children away from the appliance during operation as surfaces can become very hot.
- Never use water to extinguish cooking oil fires; instead, smother the flame with a lid or fire blanket.
- Always use oven mitts when handling hot items from the oven.
- Disconnect the appliance from the power supply before cleaning or maintenance.
- Do not modify or attempt to repair the appliance yourself. Contact qualified service personnel.

3. SETUP AND INSTALLATION

The Amica EHC 934 001 E oven and ceramic hob set is designed for built-in installation. Proper installation is crucial

for safety and optimal performance. It is strongly recommended that installation be carried out by a qualified electrician or technician.

3.1 Unpacking

Carefully unpack the appliance and check for any damage. Report any damage to your retailer immediately. Keep packaging materials away from children.

3.2 Installation Requirements

- Ensure the cabinet and countertop materials are heat-resistant.
- Provide adequate ventilation around the appliance.
- The electrical supply must match the voltage and frequency specified on the rating plate.

3.3 Dimensions and Cut-out

Refer to the diagram below for precise dimensions and cut-out requirements for both the oven and the ceramic hob. Accurate measurements are essential for a secure fit.

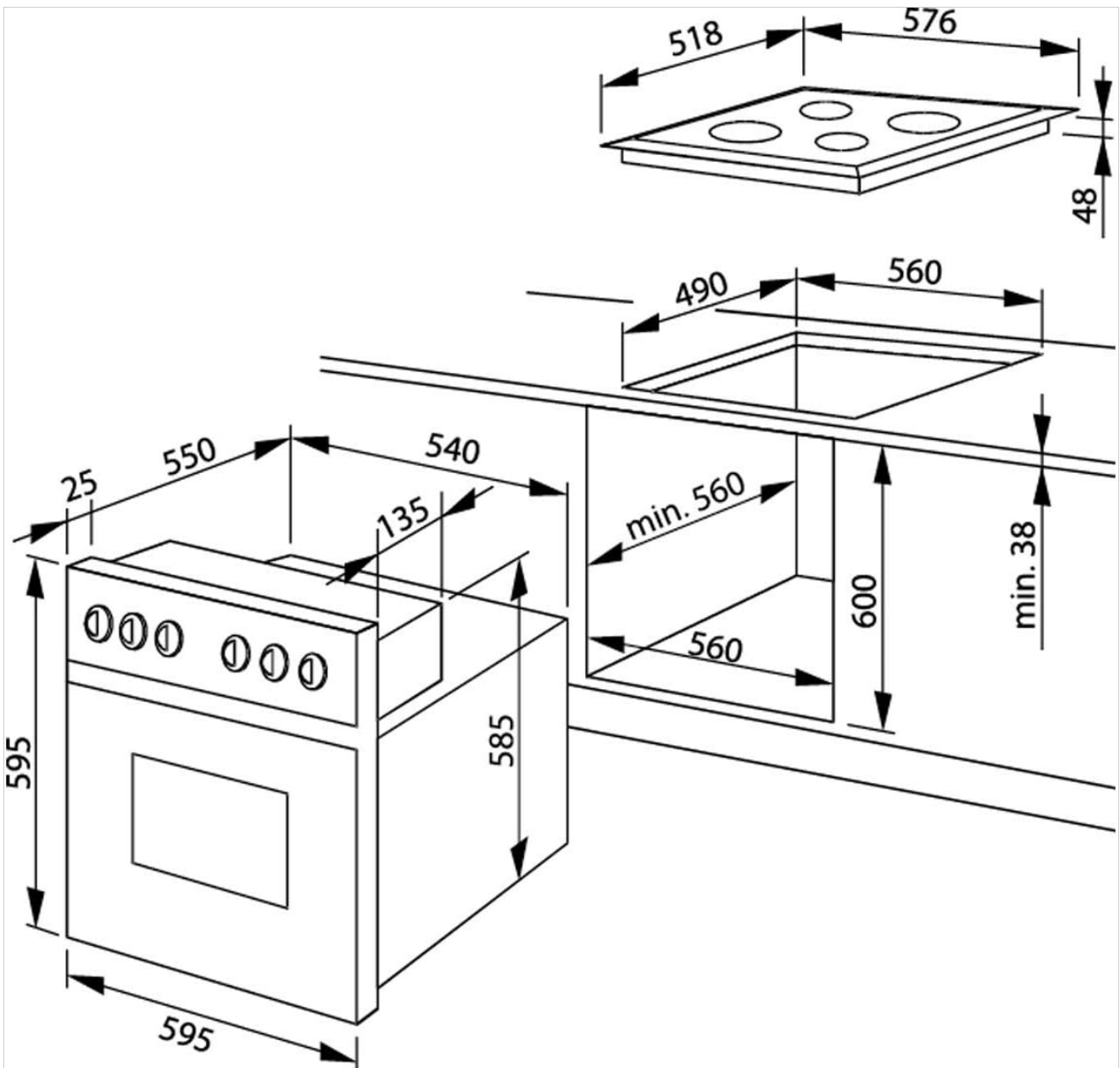


Figure 1: Installation dimensions for the Amica EHC 934 001 E built-in oven and ceramic hob. The diagram shows the required niche dimensions for the oven (H x W x D: 600 x 560 x 560 mm) and the hob (W x D: 576 x 518 mm, with a depth of 48 mm).

Oven Dimensions (H x W x D): 595 x 595 x 575 mm

Hob Dimensions (H x W x D): 48 x 576 x 518 mm

Niche Dimensions (Oven H x W x D): 600 x 560 x 560 mm

3.4 Electrical Connection

The electrical connection must be performed by a qualified electrician. Ensure the main power supply is disconnected before commencing any electrical work. The appliance requires an electrical connection suitable for its power rating (2100 Watts).

4. OPERATING THE OVEN

The Amica EHC 934 001 E oven features a 65-liter capacity and 11 versatile functions to cater to various cooking styles. The control panel includes retractable knobs and a SensorControl Plus Timer display for precise operation.



Figure 2: Front view of the Amica EHC 934 001 E oven, showing the control panel with retractable knobs and digital display. This panel is used to select cooking functions, temperature, and set the timer.

4.1 Control Panel Overview

- **Function Selector Knob:** Used to choose the desired cooking function.
- **Temperature Selector Knob:** Used to set the oven temperature.
- **SensorControl Plus Timer Display:** Shows time, temperature, and allows setting cooking duration and alarms.

- **Retractable Knobs:** Push to pop out for use, push back in for a flush, easy-to-clean surface.

4.2 Oven Functions

Turn the function selector knob to choose one of the following cooking modes:

- **RapidWarmUp:** For quick preheating of the oven.
- **Defrost:** Fan only, without heating, for gentle thawing of food.
- **Intensive Grill:** For powerful grilling of larger quantities.
- **Top Heat:** Heat from the upper element, ideal for browning.
- **Grill:** Standard grilling function.
- **Intensive Fan Grill:** Grill with fan assistance for even grilling.
- **Top and Bottom Heat:** Traditional cooking for baking and roasting.
- **Convection with Ring Heater:** Fan-assisted cooking with a circular heating element for multi-level cooking.
- **Convection (Fan Heat):** Fan-assisted cooking for even heat distribution.
- **Pizza Function:** Hot air with bottom heat, ideal for pizzas and crispy bases.
- **Bottom Heat:** Heat from the lower element, for crisping bases.

4.3 Using the Timer

The SensorControl Plus Timer allows you to set the cooking duration, delay start, or use it as a minute minder. Refer to the detailed instructions in the full manual for specific programming steps.

4.4 Oven Accessories

The oven comes with 3 telescopic runners (3 x 75%), 1 baking tray, and 1 grill rack. These accessories are designed for safe and convenient use within the oven's 65-liter capacity.

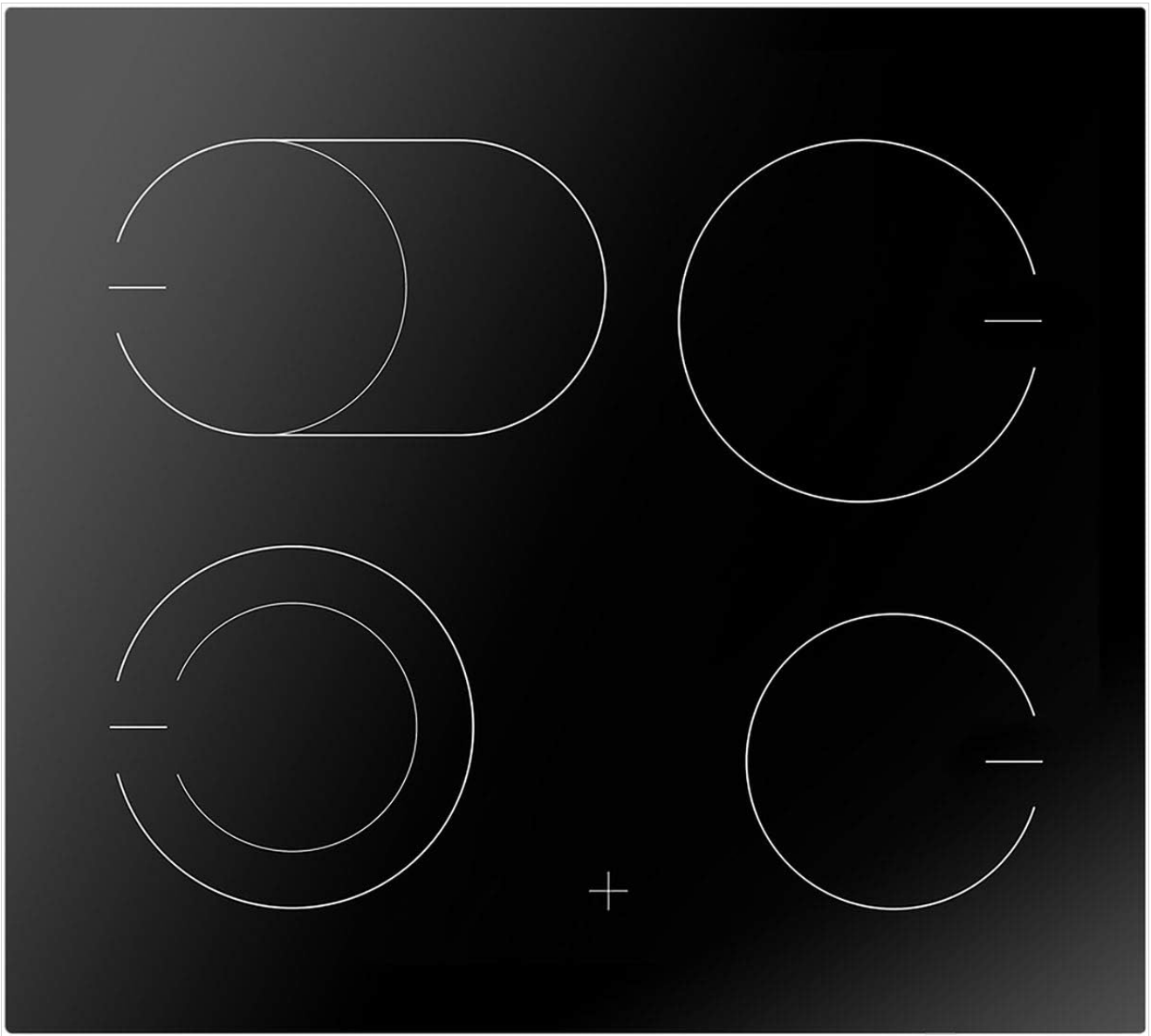


Figure 3: Interior view of the Amica EHC 934 001 E oven, highlighting the spacious 65-liter capacity and the telescopic runners for easy access to dishes.

5. OPERATING THE CERAMIC HOB

The ceramic hob features four TopSpeed cooking zones, providing rapid heating and precise temperature control. It is frameless for a sleek integration into your kitchen countertop.



Figure 4: Top view of the Amica EHC 934 001 E ceramic hob, showing its four cooking zones, including a double-circuit zone and a roaster zone.

5.1 Cooking Zones

- **Front Left:** Ø 180/120 mm, Power: 0.7/1.7 kW (Double-circuit zone)
- **Rear Left:** 140 x 250 mm, Power: 1.1/2.0 kW (Roaster zone)
- **Front Right:** Ø 145 mm, Power: 1.20 kW
- **Rear Right:** Ø 180 mm, Power: 1.80 kW

The double-circuit and roaster zones offer flexibility for different pot and pan sizes. Activate the larger zone by turning the control knob further.

5.2 Residual Heat Indicator

Each cooking zone is equipped with a residual heat indicator. This indicator will illuminate when the zone is hot, even after it has been switched off, warning you not to touch the surface and allowing you to utilize residual heat for warming food.

5.3 Using the Hob Controls

The hob is controlled by dedicated knobs, typically located on the oven's control panel. Turn the knob for the desired cooking zone to select the heat level from minimum to maximum. For double-circuit or roaster zones, turn the knob further to activate the extended heating area.

6. MAINTENANCE AND CLEANING

Regular cleaning and maintenance will ensure the longevity and optimal performance of your Amica oven and hob set.

6.1 Oven Cleaning

- **Steam Clean Function:** The oven features a Steam Clean function for easy cleaning. Pour a small amount of water into the oven cavity, select the Steam Clean function, and allow it to run. The steam will loosen food residues, making them easier to wipe away.
- **CoolDoor3:** The oven door is designed with CoolDoor3 technology, keeping the outer glass cooler during operation. The inner glass panels can be removed for thorough cleaning.
- **Enamelled Interior:** The oven interior is coated with an easy-clean enamel. Use a soft cloth and mild detergent for regular cleaning. Avoid abrasive cleaners or scourers.
- **Accessories:** Wash baking trays and grill racks in warm soapy water or in a dishwasher.

6.2 Ceramic Hob Cleaning

- Allow the hob to cool completely before cleaning.
- For light soiling, wipe with a damp cloth and mild detergent.
- For stubborn stains or burnt-on food, use a specialized ceramic hob cleaner and a scraper designed for ceramic surfaces.
- Avoid abrasive sponges, scouring pads, or harsh chemicals that can scratch the surface.

7. TROUBLESHOOTING

Before contacting customer service, please refer to the following common issues and their potential solutions:

Problem	Possible Cause	Solution
Oven/Hob not turning on.	No power supply; circuit breaker tripped; appliance not properly connected.	Check power supply; reset circuit breaker; ensure appliance is correctly plugged in/wired.
Oven not heating up.	Incorrect function/temperature selected; oven door not closed properly.	Verify settings; ensure door is fully closed.
Hob zone not heating.	Incorrect zone selected; residual heat indicator still on (zone is cooling).	Ensure correct zone is selected and power level set. Wait for residual heat to dissipate if applicable.
Uneven cooking in oven.	Food placed incorrectly; oven not preheated; incorrect function used.	Ensure food is centered; preheat oven fully; select appropriate function.

If the problem persists after attempting these solutions, please contact Amica customer support or a qualified service technician.

8. SPECIFICATIONS

Feature	Specification
Brand	Amica
Model	EHC 934 001 E
Appliance Type	Built-in Oven and Ceramic Hob Set
Fuel Type	Electric
Oven Capacity	65 Litres
Number of Oven Functions	11
Energy Efficiency Class	A (on a scale of A+++ to D)
Energy Consumption (Conventional)	0.99 kWh
Energy Consumption (Fan-forced)	0.87 kWh
Total Power	2100 Watts (Oven)
Material	Stainless Steel (Oven front)
Oven Dimensions (H x W x D)	595 x 595 x 575 mm
Hob Dimensions (H x W x D)	48 x 576 x 518 mm
Weight	39.58 Kilograms
Hob Cooking Zones	4 (including double-circuit and roaster zones)
Special Features	SteamClean, CoolDoor3, SensorControl Plus Timer, Retractable Knobs, RapidWarmUp

9. WARRANTY AND SUPPORT

Amica appliances are manufactured to high-quality standards and come with a manufacturer's warranty. Please refer to the warranty card included with your appliance for specific terms and conditions, including the warranty period and coverage details.

For technical assistance, spare parts, or to schedule a service appointment, please contact Amica customer support. You can find contact information on the Amica official website or in the documentation provided with your appliance.

When contacting support, please have your appliance model number (EHC 934 001 E) and serial number ready, as this will help expedite the service process.

