

## Manuals+

[Q & A](#) | [Deep Search](#) | [Upload](#)

Manuals.plus /

› [SIEMENS](#) /

› Siemens 8 kg Fully-Automatic Front Loading Washing Machine WM14T469IN User Manual

## SIEMENS WM14T469IN

# Siemens 8 kg Fully-Automatic Front Loading Washing Machine WM14T469IN User Manual

Model: WM14T469IN | Brand: SIEMENS

## 1. INTRODUCTION

This manual provides essential information for the safe and efficient operation, installation, and maintenance of your Siemens 8 kg Fully-Automatic Front Loading Washing Machine, model WM14T469IN. Please read these instructions thoroughly before using the appliance for the first time and keep them for future reference.

## 2. SAFETY INSTRUCTIONS

Always adhere to the following safety guidelines to prevent accidents and damage to the appliance.

- **Electrical Safety:** Ensure the appliance is properly grounded. Do not use extension cords or adapters. Disconnect from power before cleaning or maintenance.
- **Water Connection:** Connect to a cold water supply using new hoses. Do not reuse old hoses.
- **Child Safety:** Keep children and pets away from the appliance during operation. Do not allow children to play with the machine.
- **Installation:** The appliance must be installed on a firm, level surface. Ensure proper ventilation.
- **Operation:** Do not overload the machine. Do not wash items that are soiled with flammable substances.
- **Maintenance:** Only perform maintenance tasks described in this manual. For complex repairs, contact authorized service personnel.

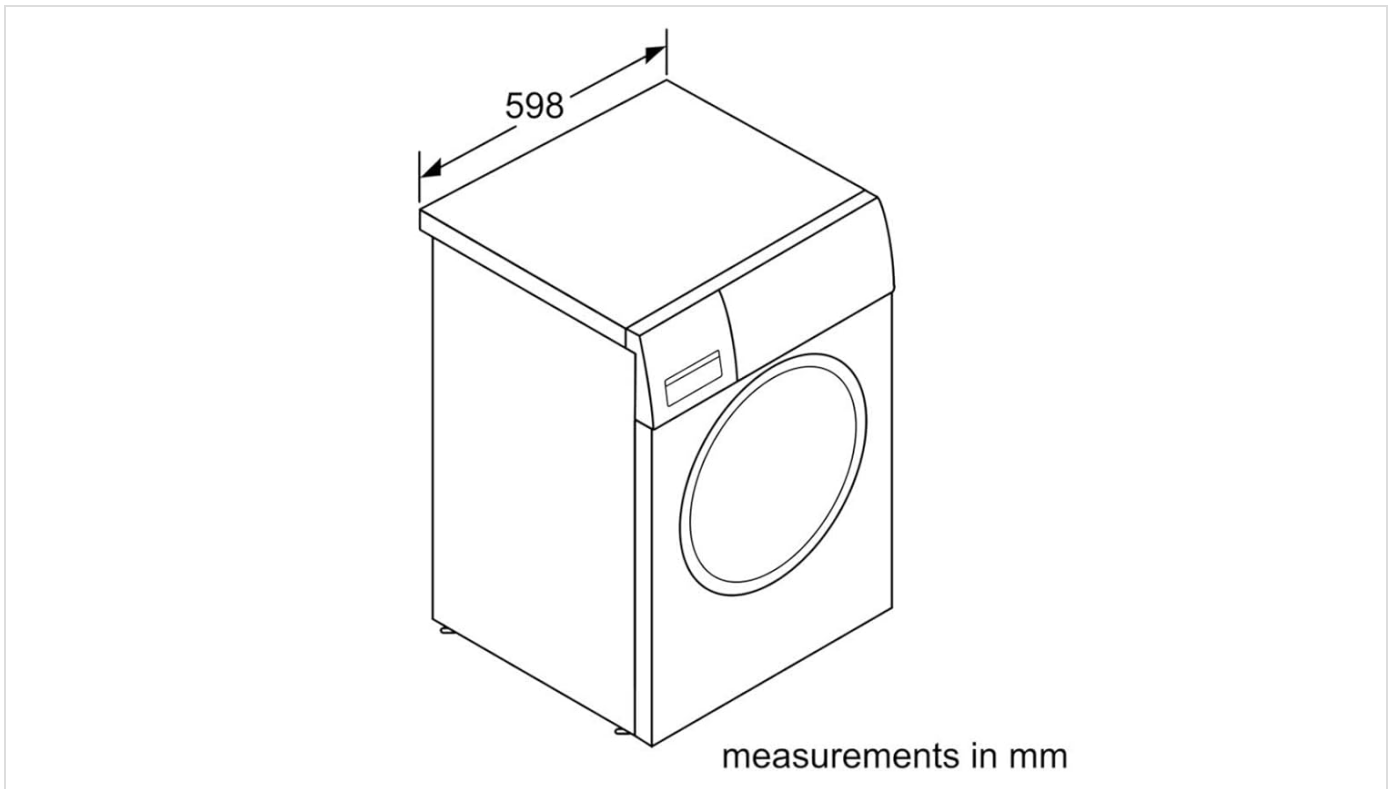
## 3. SETUP AND INSTALLATION

### 3.1 Unpacking the Appliance

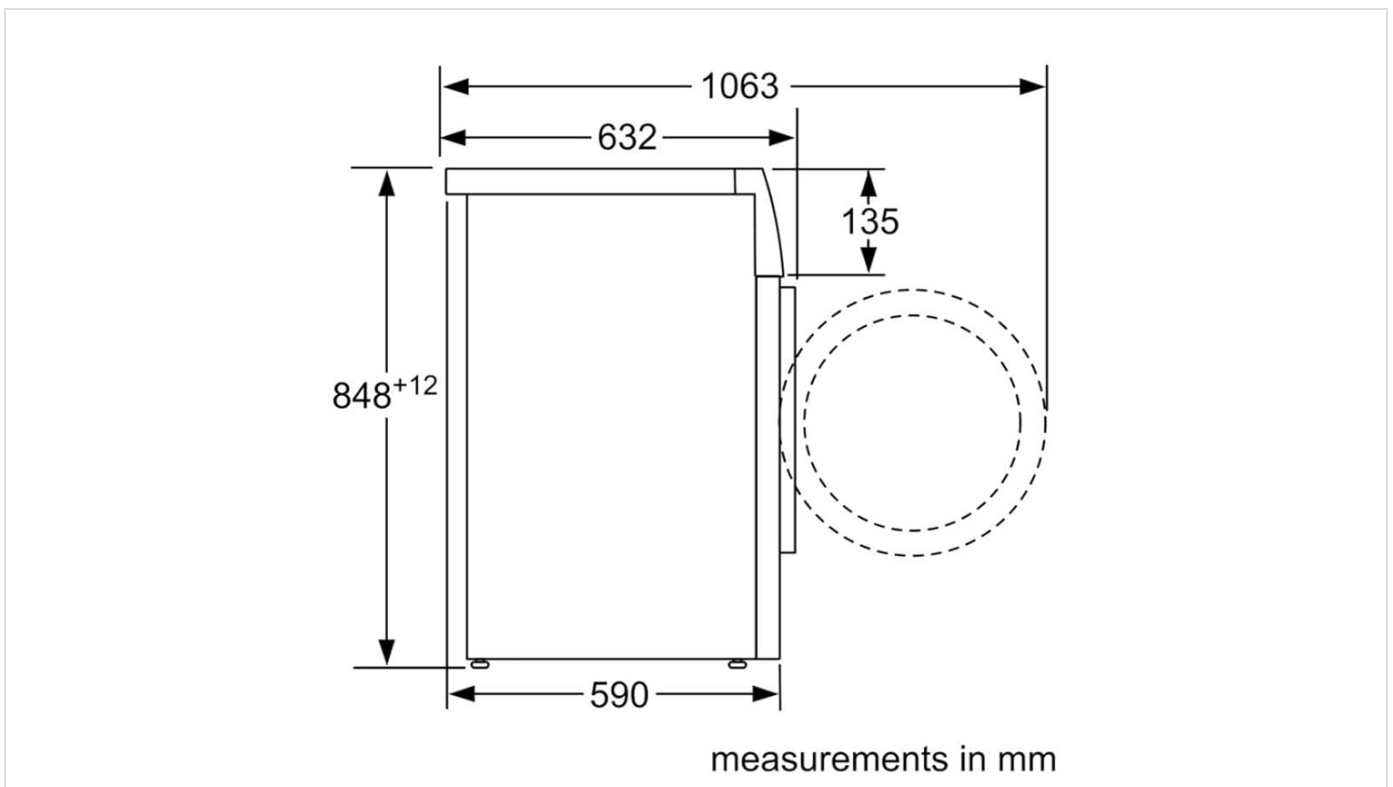
Carefully remove all packaging materials. Inspect the machine for any transport damage. Remove all transit bolts from the rear of the machine before use. Keep packaging materials out of reach of children.

### 3.2 Positioning and Leveling

Place the washing machine on a stable, flat, and clean surface. Adjust the feet to ensure the appliance is perfectly level. Proper leveling reduces vibration and noise during operation.



**Image 3.2.1:** Top-down view of the washing machine with key dimensions indicated in millimeters. This diagram helps in planning the installation space.



**Image 3.2.2:** Side view of the washing machine illustrating depth and height measurements in millimeters, crucial for installation planning.

### 3.3 Water Connection

Connect the water inlet hose to a cold water tap with a 3/4" thread. Ensure the connection is tight to prevent leaks. Position the drain hose securely into a standpipe or laundry tub, ensuring it is not kinked or blocked.

### 3.4 Electrical Connection

Plug the appliance into a properly installed and grounded power outlet. The voltage and frequency must match the specifications on the rating plate of the washing machine.

## 4. OPERATING THE WASHING MACHINE

### 4.1 Control Panel Overview



**Image 4.1.1:** Detailed view of the control panel, featuring the program selection knob on the left and the digital display with touch controls on the right.

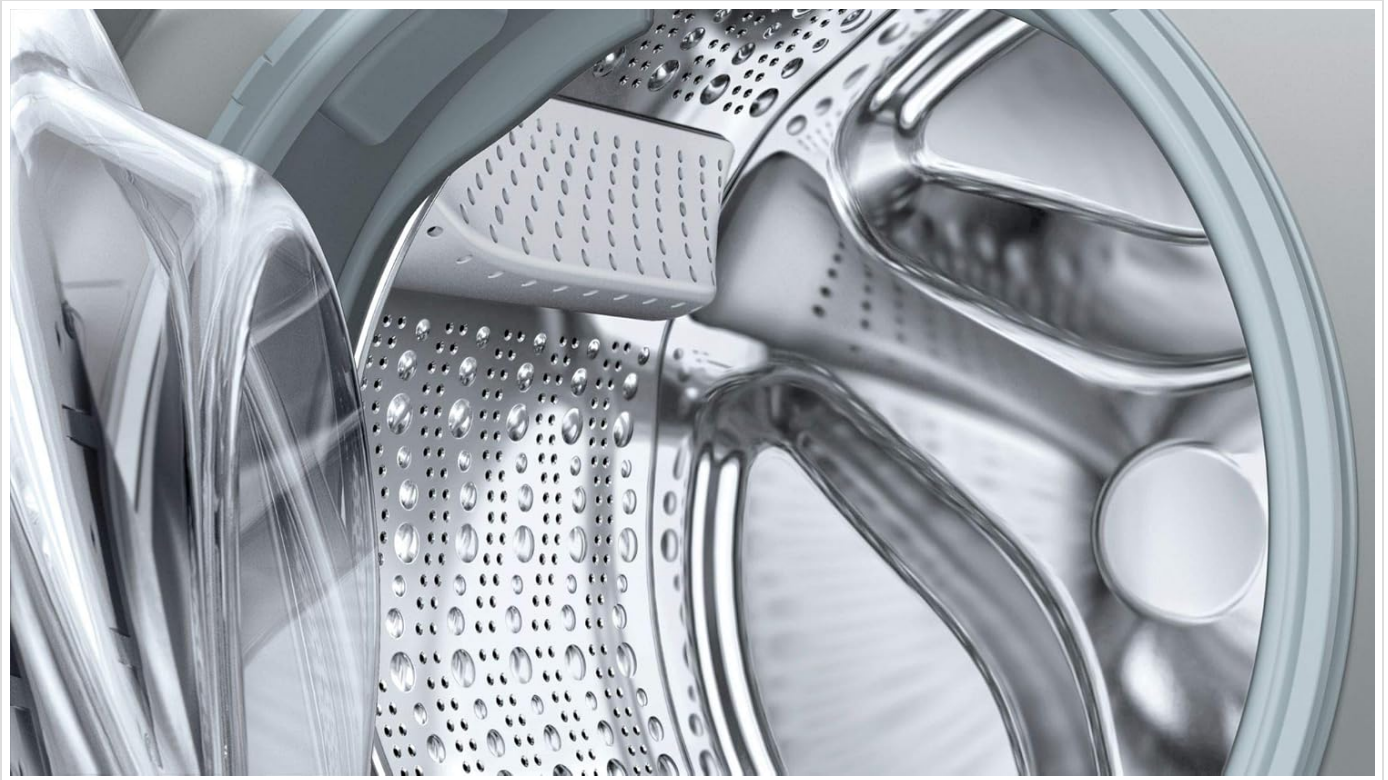
The control panel consists of a program selector knob and a digital display with touch-sensitive buttons for additional settings.

### 4.2 Loading Laundry

Open the washing machine door and load laundry loosely into the drum. Do not overload the machine. Close the door firmly.



**Image 4.2.1:** The washing machine with its door open, providing a clear view of the stainless steel drum, ready for laundry loading.



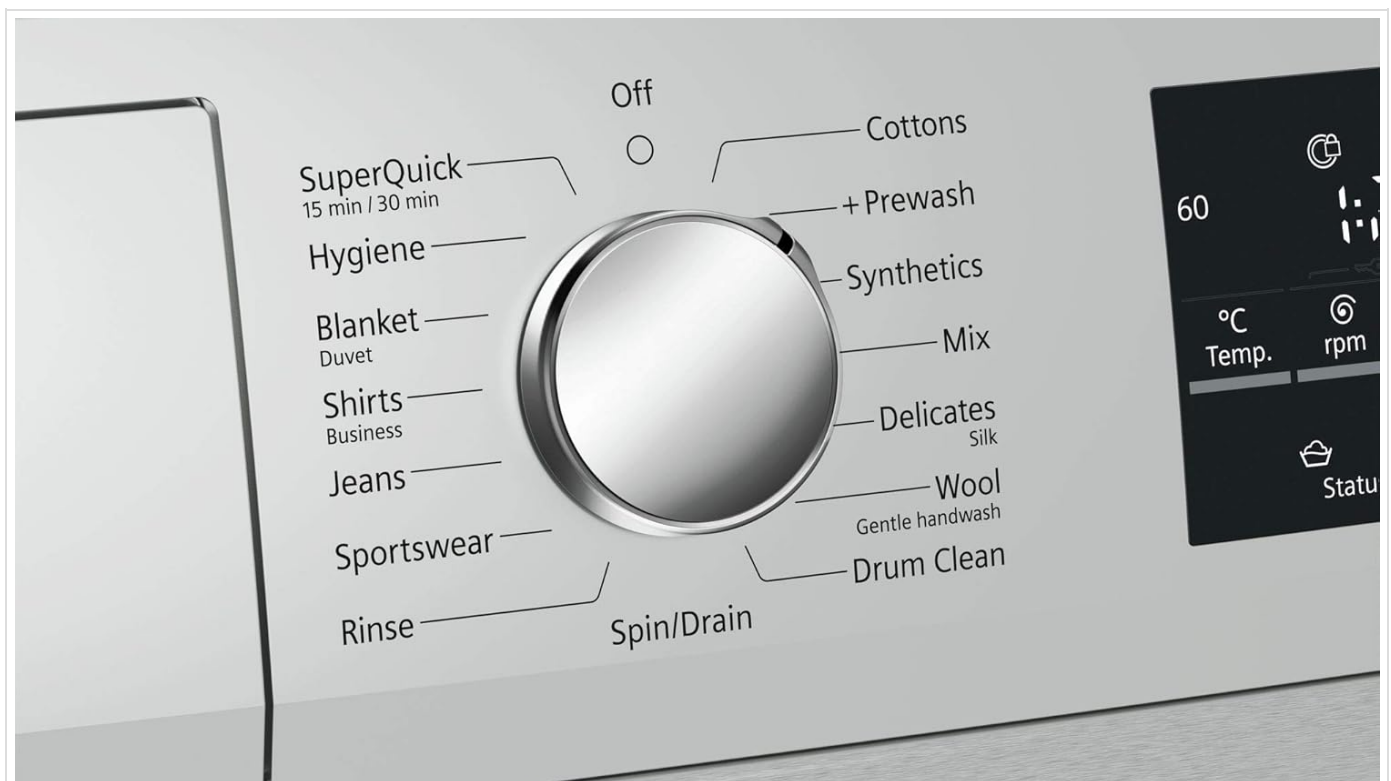
**Image 4.2.2:** A close-up of the washing machine's drum interior, showcasing the textured design engineered for effective and gentle washing.

### 4.3 Adding Detergent and Softener

Pull out the detergent dispenser drawer. Add the appropriate amount of detergent to the main wash compartment and fabric softener to its designated compartment. Close the drawer gently.

### 4.4 Program Selection

Turn the program selector knob to choose the desired wash program. Available programs include:



**Image 4.4.1:** The program selection knob, clearly showing options such as Cottons, Synthetics, Mix, Delicates, Wool, SuperQuick, Hygiene, Blanket, Shirts, Jeans, Sportswear, Rinse, Spin/Drain, and Drum Clean.

- **Cottons:** For durable cotton items.
- **Synthetics:** For synthetic or mixed fabric items.
- **Mix:** For mixed loads of cotton and synthetic fabrics.
- **Delicates/Silk:** For delicate, washable silk, linen, or synthetic items.
- **Wool:** For hand-washable or machine-washable wool items.
- **SuperQuick 15/30 min:** For small, lightly soiled loads.
- **Hygiene:** For robust fabrics requiring high hygiene standards.
- **Blanket/Duvet:** For larger, bulky items like blankets.
- **Shirts/Business:** For shirts and blouses.
- **Jeans:** For denim items.
- **Sportswear:** For sportswear and outdoor clothing.
- **Rinse:** An extra rinse cycle.
- **Spin/Drain:** To spin or drain water from the drum.
- **Drum Clean:** For cleaning the washing machine drum.

## 4.5 Adjusting Settings

After selecting a program, use the touch buttons on the digital display to adjust settings such as temperature (Temp.), spin speed (rpm), rinse options, and prewash (if available for the selected program).

## 4.6 Starting the Wash Cycle

Press the "Start/Reload" button to begin the wash cycle. The display will show the remaining time.

# 5. MAINTENANCE AND CARE

---

## 5.1 Cleaning the Exterior

Wipe the exterior of the washing machine with a soft, damp cloth. Do not use abrasive cleaners or solvents.



**Image 5.1.1:** The Siemens WM14T469IN washing machine, showcasing its clean, modern design. Regular exterior cleaning helps maintain its appearance.

## 5.2 Cleaning the Detergent Dispenser

Periodically remove and clean the detergent dispenser drawer under running water to prevent detergent residue buildup.

### 5.3 Cleaning the Drain Pump Filter

The drain pump filter should be cleaned regularly to remove lint and small objects. Refer to the diagram below for the location of the filter access panel.



**Image 5.3.1:** Side view of the washing machine, showing the circular anti-vibration design and the small access panel at the bottom right, which typically covers the drain pump filter.

### 5.4 Drum Cleaning

Use the "Drum Clean" program periodically to remove detergent residues and odors from the drum.

## 6. TROUBLESHOOTING

Before contacting service, consult the following table for common issues and their solutions.

Problem	Possible Cause	Solution
Machine does not start	Power cord not plugged in; door not closed properly; program not selected; "Start" button not pressed.	Check power connection; ensure door is latched; select a program; press "Start".
Water not filling	Water tap closed; inlet hose kinked or blocked; water pressure too low.	Open water tap; straighten hose; check household water pressure.
Water not draining	Drain hose kinked or blocked; drain pump filter clogged.	Straighten drain hose; clean drain pump filter (refer to Section 5.3).
Excessive vibration/noise	Transit bolts not removed; machine not level; load unbalanced.	Remove transit bolts; adjust leveling feet; redistribute laundry in the drum.
Detergent residue in dispenser	Insufficient water pressure; dispenser clogged.	Clean detergent dispenser (refer to Section 5.2); check water pressure.

## 7. SPECIFICATIONS

Feature	Detail
Brand	SIEMENS
Model	WM14T469IN
Capacity	8 Kilograms
Maximum Rotational Speed	1400 RPM
Installation Type	Freestanding
Form Factor	Front-loading
Colour	White
Control Console	Touch
Access Location	Front Load
Item Weight	77 kg
Cycle Options	Bedsheet, Cotton, Delicates, Drain, Hygiene, Jeans, Mix Wash, Prewash, Rinse, Shirts, Sports Wear, Super 15 / 30 minutes, Synthetic, Temperature Selection, Tub Clean, Wool

## 8. WARRANTY AND SUPPORT

For warranty information and customer support, please refer to the warranty card provided with your appliance or visit the official Siemens website. Keep your purchase receipt as proof of purchase for warranty claims.

For technical assistance or to schedule a service appointment, please contact Siemens customer service. Contact details can typically be found on the Siemens website or in the documentation included with your washing machine.