

## Manuals+

[Q & A](#) | [Deep Search](#) | [Upload](#)

manuals.plus /

› [DHP](#) /

› [DHP Theo Upholstered Twin Daybed with Storage Drawers Instruction Manual](#)

**DHP DZ24641**

# DHP Theo Upholstered Twin Daybed with Storage Drawers Instruction Manual

Model: DZ24641

## INTRODUCTION

---

Thank you for choosing the DHP Theo Upholstered Twin Daybed with Storage Drawers. This manual provides essential information for the safe assembly, operation, and maintenance of your new daybed. Please read all instructions carefully before beginning assembly and retain this manual for future reference.



Image: The DHP Theo Upholstered Twin Daybed in Grey Linen, featuring a modern design.

## SAFETY INFORMATION

**WARNING:** Failure to follow these safety guidelines may result in injury or product damage.

- Always assemble according to the provided instructions.
- Keep away from heat sources to prevent fire hazards.
- Wipe clean with a damp cloth only. Do not use harsh chemicals or abrasive materials.
- Keep out of reach of children to prevent injury from small parts or sharp edges.
- This product has a maximum weight recommendation of 400 pounds.
- Always ensure the daybed is stable and secure before use to prevent tip-over risks.

## SETUP AND ASSEMBLY

Your DHP Theo Daybed ships in one box and is designed for straightforward assembly. We recommend having a second person assist with assembly for ease and safety.

### Before You Begin:

- Unpack all components and verify against the parts list (not provided in this manual, refer to included

packaging).

- Ensure you have adequate space for assembly.
- Gather necessary tools (typically an Allen wrench is included, but a screwdriver may be needed).

### Assembly Steps:

1. **Frame Assembly:** Begin by connecting the main frame components. Ensure all bolts are securely tightened, but do not overtighten until the entire frame is assembled.
2. **Slat Installation:** Install the wooden slats into the designated slots on the frame. The bentwood slat system provides support and air circulation for your mattress.



*Image: Detail of the wooden slat system, designed to keep slats securely in place.*

3. **Drawer Assembly:** Assemble the two storage drawers according to the instructions provided with the hardware. These drawers are designed to slide smoothly on casters.



*Image: The DHP Theo Daybed with both storage drawers fully extended.*

4. **Final Tightening:** Once all components are in place, go back and securely tighten all bolts.
5. **Mattress Placement:** Place a standard twin-size mattress (sold separately) directly onto the slat system. No box spring is required.

**Assembly Diagram:**



*Image: Technical diagram showing the dimensions of the DHP Theo Daybed and its storage drawers.*

### Assembly Video:

Your browser does not support the video tag.

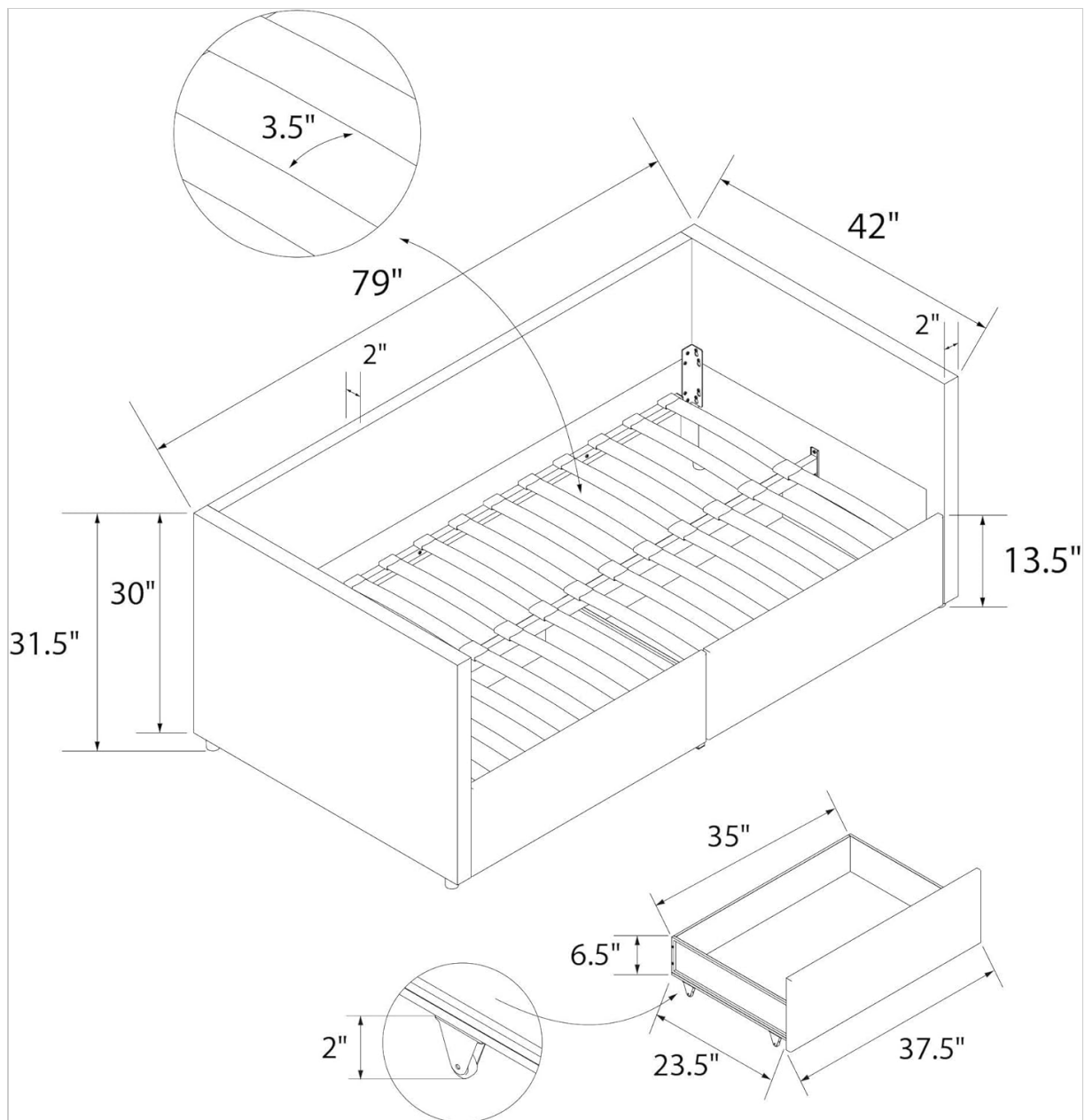
*Video: An overview of the DHP Theo Urban Daybed, showcasing its modern design, storage drawers, and slat system.*

*This video provides a visual guide to the product's features and can assist with understanding assembly.*

## OPERATING INSTRUCTIONS

The DHP Theo Daybed is designed for versatile use as both a bed and a lounging area.

- **Sleeping:** Place a standard twin-size mattress directly on the wooden slats. Ensure the mattress is centered and fully supported.
- **Lounging:** Utilize the daybed as a sofa or lounging space by adding decorative pillows and throws. The back and side panels provide comfortable support.
- **Storage Drawers:** The two under-bed drawers are ideal for storing extra bedding, books, or other light items. Gently pull the drawers out from the front to access contents and push them back in until they are flush with the daybed frame.



*Image: The DHP Theo Daybed configured as a stylish sofa with pillows, demonstrating its versatility.*

## MAINTENANCE

Proper care will extend the life and appearance of your daybed.

- **Cleaning:** For general cleaning, wipe the upholstered surfaces with a damp cloth. Avoid using abrasive cleaners, harsh chemicals, or excessive moisture, as these can damage the fabric and frame.
- **Spills:** Blot spills immediately with a clean, dry cloth. Do not rub, as this can spread the stain.
- **Frame Inspection:** Periodically check all bolts and connections to ensure they remain tight. Retighten if necessary to maintain stability.
- **Drawer Care:** Keep the drawer tracks free of debris to ensure smooth operation. Avoid overloading the drawers to prevent damage to the casters or drawer structure.

## TROUBLESHOOTING

If you encounter any issues with your DHP Theo Daybed, refer to the following common solutions:

- **Wobbly Frame:** If the daybed feels unstable, check all assembly bolts and ensure they are fully tightened. Uneven flooring can also contribute to wobbling; consider using furniture pads or shims.

- **Drawers Not Sliding Smoothly:**
  - Ensure the drawers are not overloaded.
  - Check for any obstructions in the drawer tracks or under the daybed.
  - Verify that the drawer assembly was completed correctly and that casters are properly aligned.
- **Squeaking Noises:** Squeaking can often be resolved by retightening all frame bolts. If the noise persists, check the slat connections and ensure they are seated correctly.

## SPECIFICATIONS

<b>Brand</b>	DHP
<b>Model Number</b>	DZ24641
<b>Product Dimensions</b>	79 x 41.5 x 31.5 inches (L x W x H)
<b>Item Weight</b>	89 pounds
<b>Material</b>	Fabric (Upholstery), Wood (Frame/Slats)
<b>Color</b>	Grey Linen
<b>Size</b>	Twin
<b>Special Features</b>	Assembly Required, Storage Drawers, Wooden Slat Base
<b>Maximum Weight Recommendation</b>	400 pounds
<b>Product Care Instructions</b>	Wipe with Damp Cloth
<b>UPC</b>	026737246412

## WARRANTY AND SUPPORT

DHP Furniture stands behind the quality of its products.

- **Manufacturer Warranty:** This product is covered by a worry-free manufacturer warranty. Please refer to the warranty card included with your product for specific terms and conditions.
- **Customer Support:** For assistance with assembly, missing parts, or any other inquiries, DHP customer support is available 7 days a week.
- **Replacement Parts:** Online replacement parts ordering is available for your convenience.

For further assistance, please visit the DHP website or contact their customer service department directly.