

Manuals+

[Q & A](#) | [Deep Search](#) | [Upload](#)

manuals.plus /

- › [COMUNELLO](#) /
- › [Comunello FAST200 500N Rod Actuator Instruction Manual for Louvered Blades and Outward Opening Windows](#)

COMUNELLO FAST200

Comunello FAST200 500N Rod Actuator Instruction Manual

Model: FAST200 | Brand: Comunello

1. INTRODUCTION

This manual provides comprehensive instructions for the safe and efficient installation, operation, and maintenance of the Comunello FAST200 500N electric rod actuator. This device is designed for automated opening and closing of louvered blades and various types of outward opening windows. Please read this manual thoroughly before installation and use to ensure proper function and safety.

The Comunello FAST200 actuator is engineered for reliability and complies with relevant CE directives (EMC, LVD, and R&TTE).

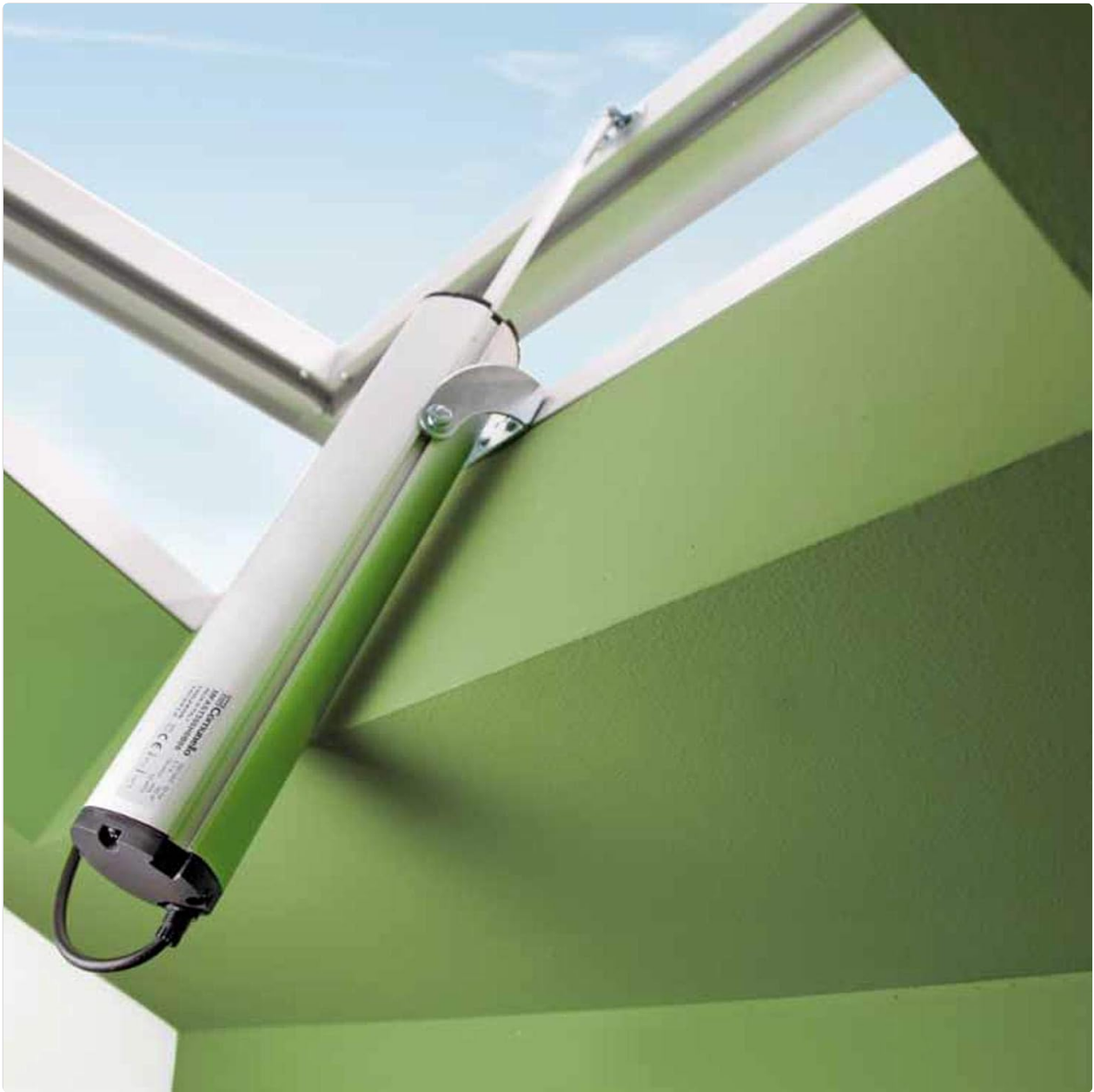


Image 1.1: Comunello FAST200 rod actuator installed on an outward opening window. This image shows the Comunello FAST200 rod actuator mounted on the frame of an outward opening window, demonstrating its typical installation and function. The actuator is silver-colored and extends to push the window open.

2. SAFETY INFORMATION

Always observe the following safety precautions to prevent injury or damage to the product:

- Installation and electrical connections must be performed by qualified personnel in accordance with local regulations and standards.
- Disconnect power before performing any installation, maintenance, or troubleshooting.
- Do not operate the actuator if any part is damaged or if it is not securely mounted.
- Keep hands and loose clothing clear of moving parts during operation.
- Ensure the window or louver system is free of obstructions before operation.
- This device is not intended for use by persons (including children) with reduced physical, sensory, or mental capabilities, or lack of experience and knowledge, unless they have been given supervision or instruction concerning use of the appliance by a person responsible for their safety.

3. PACKAGE CONTENTS

Verify that all components are present in the package:

- Comunello FAST200 Rod Actuator with electrical cable
- Mounting bracket and adjustable screws
- Window/coupler bracket
- Projecting bracket
- Multi-language instruction manual (this document)



Image 3.1: Comunello FAST200 actuator and accessories in its packaging. The Comunello FAST200 actuator, along with its power cable and various mounting accessories, neatly packed within its cardboard box, ready for shipment or installation.

4. SPECIFICATIONS

Feature	Specification
Model	FAST200
Thrust and Tension Force	500 N
Voltage	230 V AC 50 Hz
Stroke	200 mm
Parallel Connection	Up to 30 actuators
Dimensions (Packaging)	44.79 x 8.7 x 8.6 cm

Weight	2.04 kg
Part Number	MFAST200H0B00

5. INSTALLATION

Follow these steps for proper installation of the Comunello FAST200 actuator.

5.1. Actuator Choice and Force Calculation

Before installation, it is crucial to select the appropriate actuator type and calculate the necessary force (F) to support the window's movement. This calculation depends on the window's weight (P), opening stroke (C), window height (H), and frame dimension (L).

La scelta dell'attuatore

The actuator choice

andromedagie

Per scegliere l'attuatore Mowin® più adatto, è necessario calcolare la FORZA (F) necessaria a sostenere il movimento della finestra. Il tipo di attuatore va selezionato considerando la combinazione tra la DIMENSIONE DI BASE del serramento (L) e la FORZA CALCOLATA (N).

In order to choose the most suitable Mowin® actuator, you have to calculate the necessary FORCE (F) to sustain the window movement. Choose the actuator type in accordance with the CALCULATE FORCE (N) and the FRAME DIMENSION (L).

F = Forza necessaria - Necessary Force (Kg)
C = Corsa di apertura - Opening stroke (mm)
H = Altezza serramento - Window height (mm)
P = Peso serramento - Window weight (Kg)
L = Base serramento - Window length (mm)



$$\frac{P \div 2 = F \text{ Kg}}{F \text{ (Kg)} \times 9,8 = N \quad F \text{ (N)}}$$



$$\frac{(C \div H) \times (P \div 2) = F \text{ Kg}}{F \text{ (Kg)} \times 9,8 = N \quad F \text{ (N)}}$$



$$\frac{(C \div H) \times (P \div 2) = F \text{ Kg}}{F \text{ (Kg)} \times 9,8 = N \quad F \text{ (N)}}$$

Image 5.1: Diagram for calculating actuator force for window movement. This diagram illustrates how to calculate the necessary force (F) for the actuator based on window weight (P), opening stroke (C), window height (H), and frame dimension (L). It provides formulas for different window types.

5.2. Mounting the Actuator

The actuator comes with a quick-coupling system and adjustable rail mounting for easy and fast attachment. Use the provided mounting brackets and hardware to secure the actuator to the window frame or louver system.

1. Identify the optimal mounting position on your window or louver system, ensuring the actuator's stroke matches the required opening distance.
2. Attach the main mounting bracket to the window frame using appropriate fasteners.
3. Secure the window/coupler bracket to the moving part of the window or louver.
4. Connect the actuator to both brackets, ensuring it is level and aligned for smooth operation.
5. Adjust the mounting as needed using the adjustable screws to achieve optimal alignment and movement.

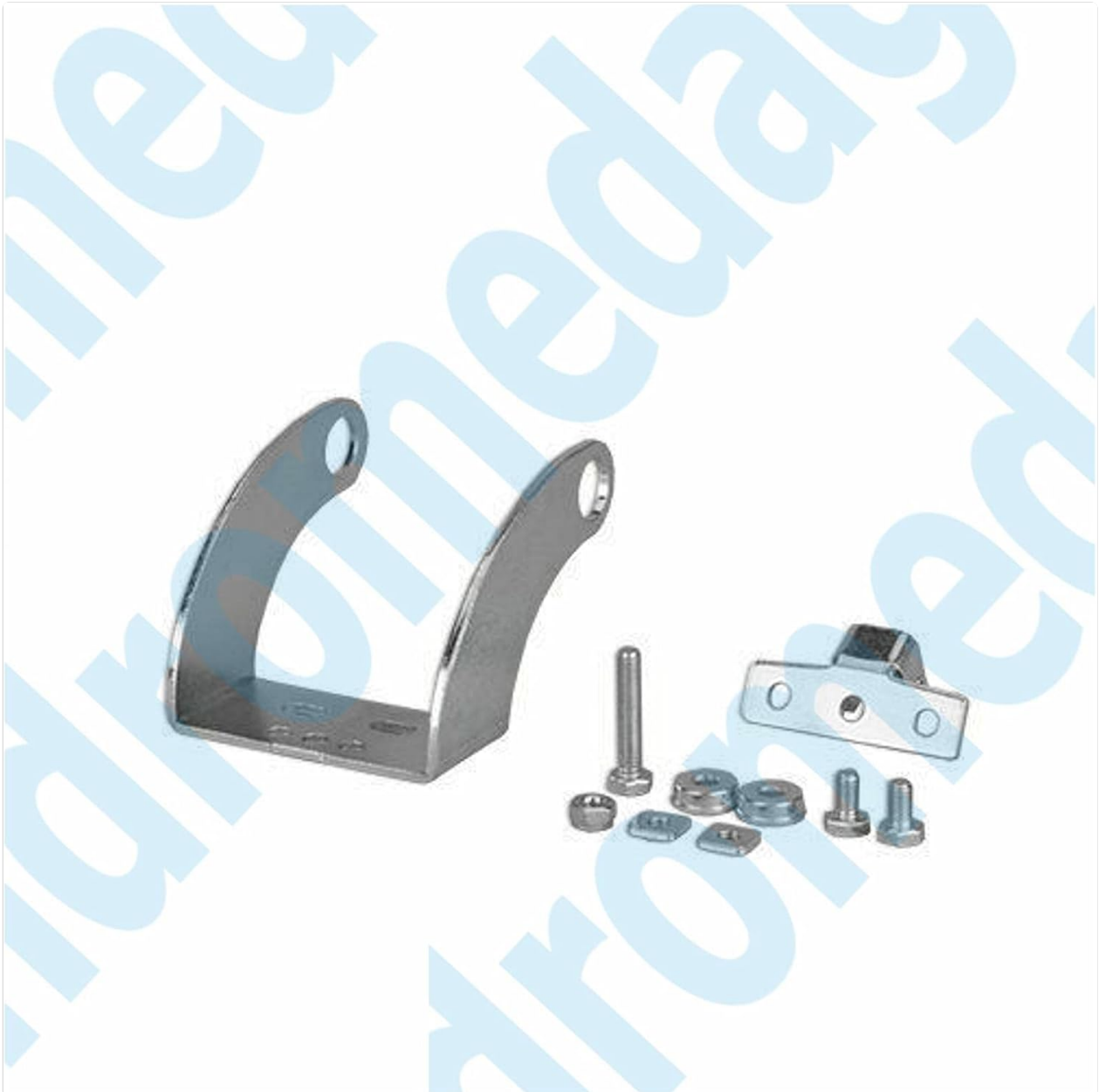


Image 5.2: Mounting brackets and hardware for Comunello FAST200 actuator. This image presents the various mounting brackets, screws, and nuts included with the Comunello FAST200 actuator, essential for securing the device to the window frame or louver system.

5.3. Electrical Connection

Ensure the power supply is disconnected before making any electrical connections.

1. Connect the actuator's electrical cable to a 230V AC 50 Hz power supply.

2. Follow the wiring diagram carefully: Brown (FI), Blue (N), Black (FA), and Earth.
3. If connecting multiple actuators in parallel (up to 30 units), ensure proper wiring to avoid overloading the circuit.
4. Once connections are complete, secure all wiring and ensure no bare wires are exposed.

Schema elettrico 230V-AC

230V-AC Wiring diagram

1 Actuator

	FI	Marrone / Brown
	N	Blu / Blue
	FA	Nero / Black
		Terra / Earth

Questo schema elettrico è applicabile:
 This wiring diagram can be apply to:



FAST

FAST 50 / 160 230V
 FAST 50 / 200 230V
 FAST 50 / 300 230V
 FAST 50 / 400 230V



Image 5.3: Electrical wiring diagram for Comunello FAST200 actuator (230V AC). This image displays the 230V AC wiring diagram for the Comunello FAST200 actuator. It shows connections for Brown (FI), Blue (N), Black (FA), and Earth wires, along with a schematic representation of the actuator connected to a window and power supply.

5.4. Application Examples

The FAST200 actuator is suitable for various applications, including top-hung outward opening windows and solar shading louvered blades. Refer to the diagrams for typical installation configurations and dimensions.

FAST 50



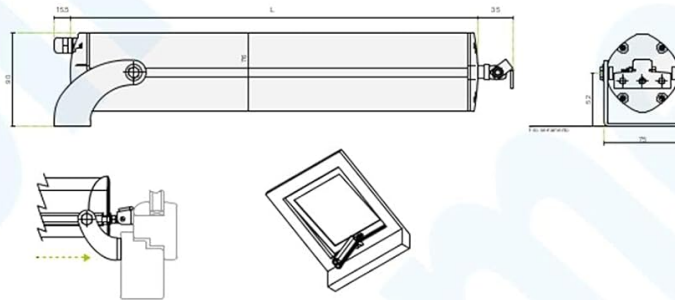
- SOFT START & STOP
- Rilevamento ostacoli | Obstacle detection
- Fine corsa | Limit switch closing/opening
- Velocità | Speed 19 mm/sec
- Forza di apertura | Thrust force 500 N
- Servizio | Type of service S2 - 4 min
- Temp min-max -5°C / +50°C

IP55



Apertura a sporgere

Top hung outward opening window



Pale frangisole

Solar shading

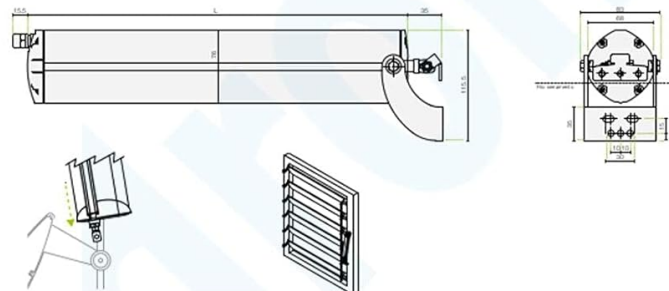


Image 5.4: Technical drawings and application examples for Comunello FAST 50 actuator. This image shows technical drawings and application examples for the FAST 50 series, including top-hung outward opening windows and solar shading louvered blades. It provides dimensions and installation configurations.

6. OPERATION

Once installed and connected, the Comunello FAST200 actuator can be operated via a compatible control system (not included). The actuator extends or retracts its rod to open or close the window or louver.

- Ensure the path of the window or louver is clear before initiating movement.
- The actuator features a 200mm stroke, providing a controlled opening distance.
- For systems with multiple windows, up to 30 actuators can be operated in parallel from a single control unit.

7. MAINTENANCE

Regular maintenance ensures the longevity and optimal performance of your Comunello FAST200 actuator.

- **Cleaning:** Periodically clean the actuator body and rod with a soft, damp cloth. Avoid abrasive cleaners

or solvents.

- **Inspection:** Annually inspect all mounting points and electrical connections for tightness and signs of wear or damage.
- **Lubrication:** The actuator is designed for minimal maintenance. Do not attempt to lubricate internal components unless specifically instructed by Comunello support.
- **Obstructions:** Ensure the window or louver mechanism remains free of debris or obstructions that could impede actuator movement.

8. TROUBLESHOOTING

If you encounter issues with your Comunello FAST200 actuator, refer to the following common problems and solutions:

Problem	Possible Cause	Solution
Actuator does not move	No power supply Loose electrical connection Obstruction in window path	Check power source and circuit breaker Verify all electrical connections are secure Remove any obstructions
Actuator moves slowly or with difficulty	Friction in window mechanism Incorrect mounting alignment Actuator overloaded	Inspect window hinges/tracks for smooth movement Re-check mounting for proper alignment Ensure window weight is within actuator's 500N capacity
Unusual noise during operation	Loose mounting Internal mechanical issue	Tighten all mounting screws Contact Comunello support if noise persists

If the problem persists after attempting these solutions, please contact Comunello customer support.

9. WARRANTY AND SUPPORT

The Comunello FAST200 actuator is covered by the manufacturer's standard warranty. Please refer to your purchase documentation or the Comunello website for specific warranty terms and conditions.

For technical assistance, spare parts, or warranty claims, please contact Comunello customer support through their official channels. When contacting support, please have your product model (FAST200) and part number (MFAST200H0B00) available.



Image 9.1: Comunello brand logo. The official logo of Comunello, the manufacturer of the FAST200 actuator.

