



Manuals.plus /

› LONTAN /

› LONTAN Soft Close Drawer Slides Instruction Manual

LONTAN SL4502S3-22-10Pairs

LONTAN Soft Close Drawer Slides Instruction Manual

Model: SL4502S3-22-10Pairs

Brand: LONTAN

INTRODUCTION

The LONTAN Soft Close Drawer Slides are designed to provide smooth, quiet, and reliable operation for your cabinet drawers. Featuring a hydraulic damper and double spring design, these heavy-duty slides ensure a soft and silent closing experience, enhancing the functionality and comfort of your living spaces. Constructed from high-grade cold-rolled steel with a zinc-plated finish, they offer durability and a load-bearing capacity of up to 100 LB, making them suitable for various applications in kitchens, offices, and other areas requiring robust drawer support.

This manual provides detailed instructions for the proper installation, usage, and maintenance of your LONTAN drawer slides, along with important specifications and troubleshooting tips to ensure optimal performance and longevity.

PRODUCT FEATURES

- **Soft Close Mechanism:** Equipped with a hydraulic damper and double spring design, these slides ensure a gentle and silent closing action, preventing slamming and reducing noise.
- **Durable Construction:** Made from high-grade cold-rolled steel with a zinc-plated finish, providing heavy-duty performance, rust resistance, and long-lasting durability.
- **High Load Capacity:** Each pair of slides can support up to 100 LB, suitable for various drawer contents, including heavy kitchenware.
- **Full Extension:** Designed for 3-section full extension, allowing complete access to the entire drawer contents.
- **Smooth Operation:** Solid ball bearings ensure effortless and smooth opening and closing of drawers.
- **Double Anti-drop Function:** Prevents drawers from accidentally separating from cabinets, enhancing safety and stability.
- **Easy Disassembly:** Features a double disassembly clip for convenient removal and cleaning of the drawer.

SPECIFICATIONS

Attribute	Detail
Mounting Type	Side Mount
Weight Limit	100 Pounds
Drawer Type	Ball Bearing Slide
Manufacturer	LONTAN
UPC	715624607763
Number of Items	10 (Pairs)
Item Weight	35.7 pounds
Product Dimensions	22 x 0.5 x 1.77 inches
Item Model Number	SL4502S3-22-10Pairs
Size	22 Inch
Style	10 pair
Finish	Zinc Plated
Material	Steel with Zinc Coating

INSTALLATION GUIDE

Proper installation is key to the smooth and reliable operation of your LONTAN Soft Close Drawer Slides. Follow these steps carefully:

1. Choose the Correct Size

Ensure the selected slide length matches your drawer depth. It is recommended to reserve 0.5 inches of space for mounting on both sides of the drawer. These slides are suitable for drawer depths ranging from 10 to 24 inches.

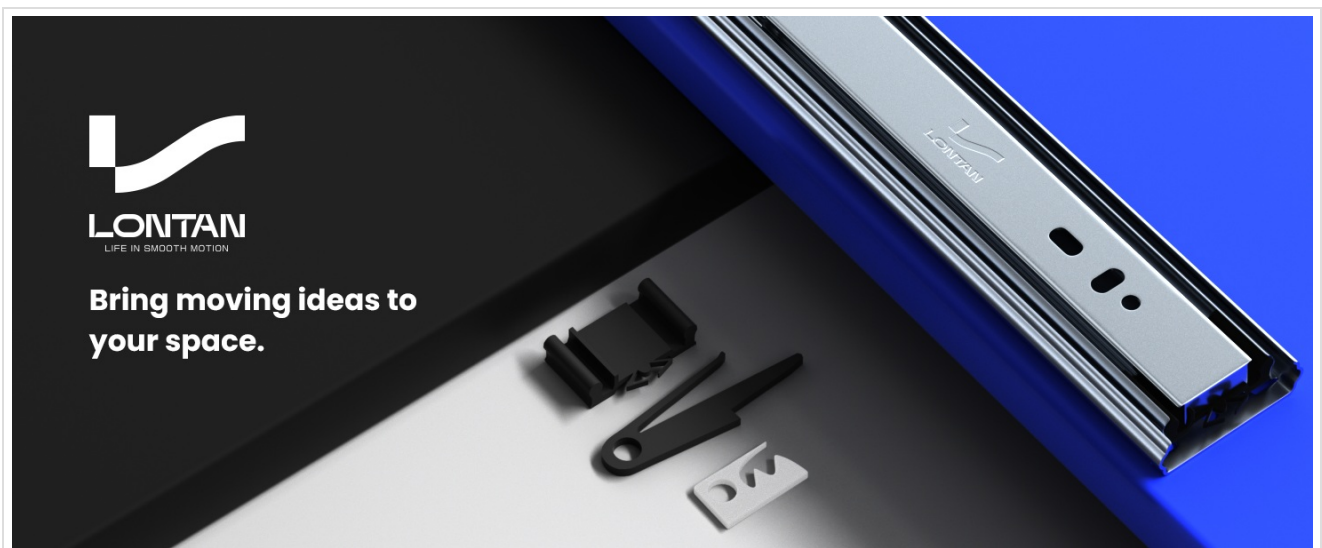


Figure 1: Guide for choosing the correct drawer slide size based on cabinet and drawer dimensions.

2. Separate the Slide Components

Each drawer slide consists of two main parts: the cabinet member and the drawer member. Extend the slide fully and

press the release lever (typically black) to separate the inner drawer member from the outer cabinet member.

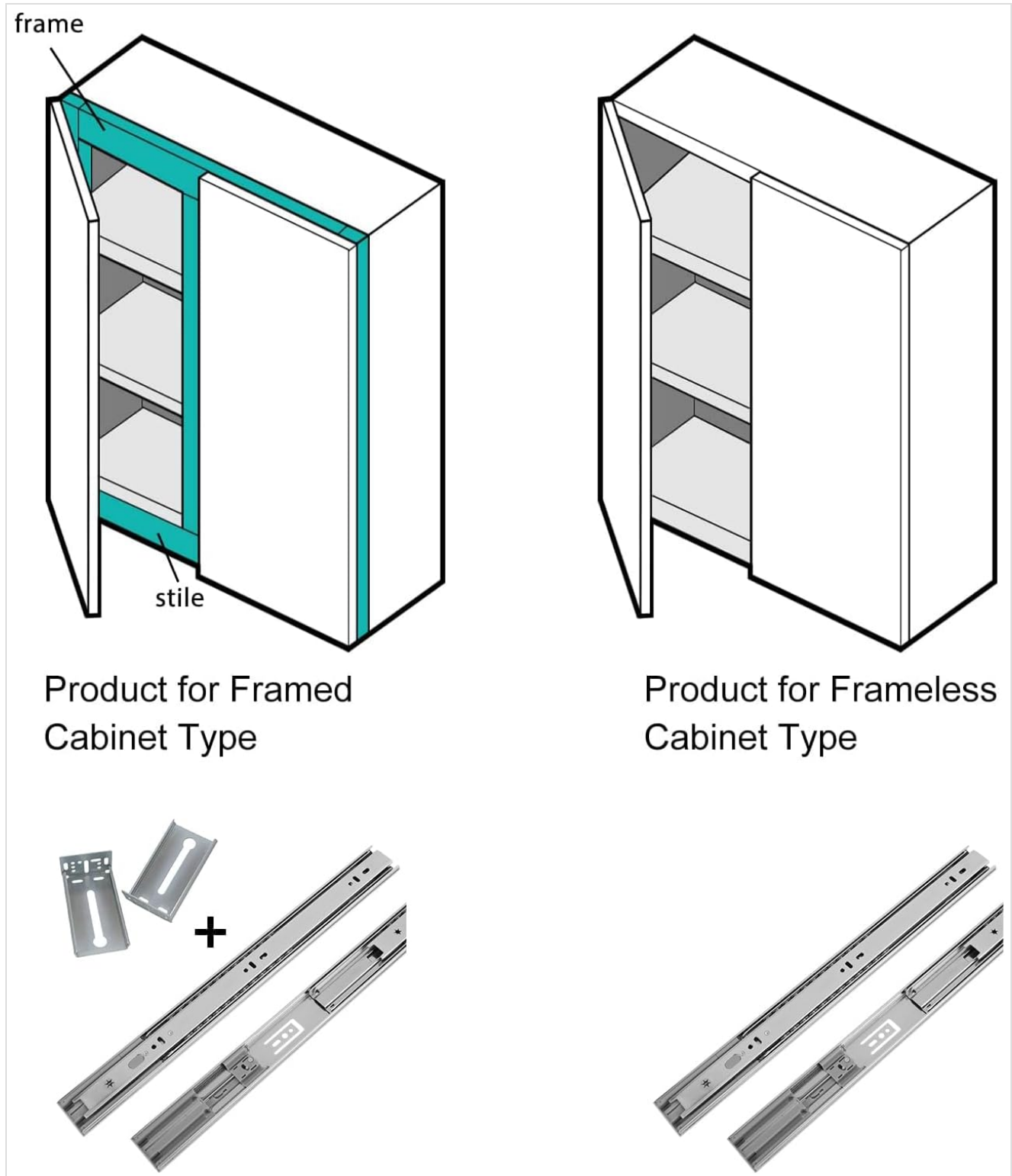


Figure 2: LONTAN Soft Close Drawer Slides, showing the two main components and included mounting screws.

3. Mount the Cabinet Member

Attach the larger cabinet member to the inside of your cabinet. Ensure the slide is level and parallel to the cabinet opening. Use the provided screws to secure it firmly. For framed cabinets, rear mounting brackets (sold separately) may be required to ensure proper alignment and support.

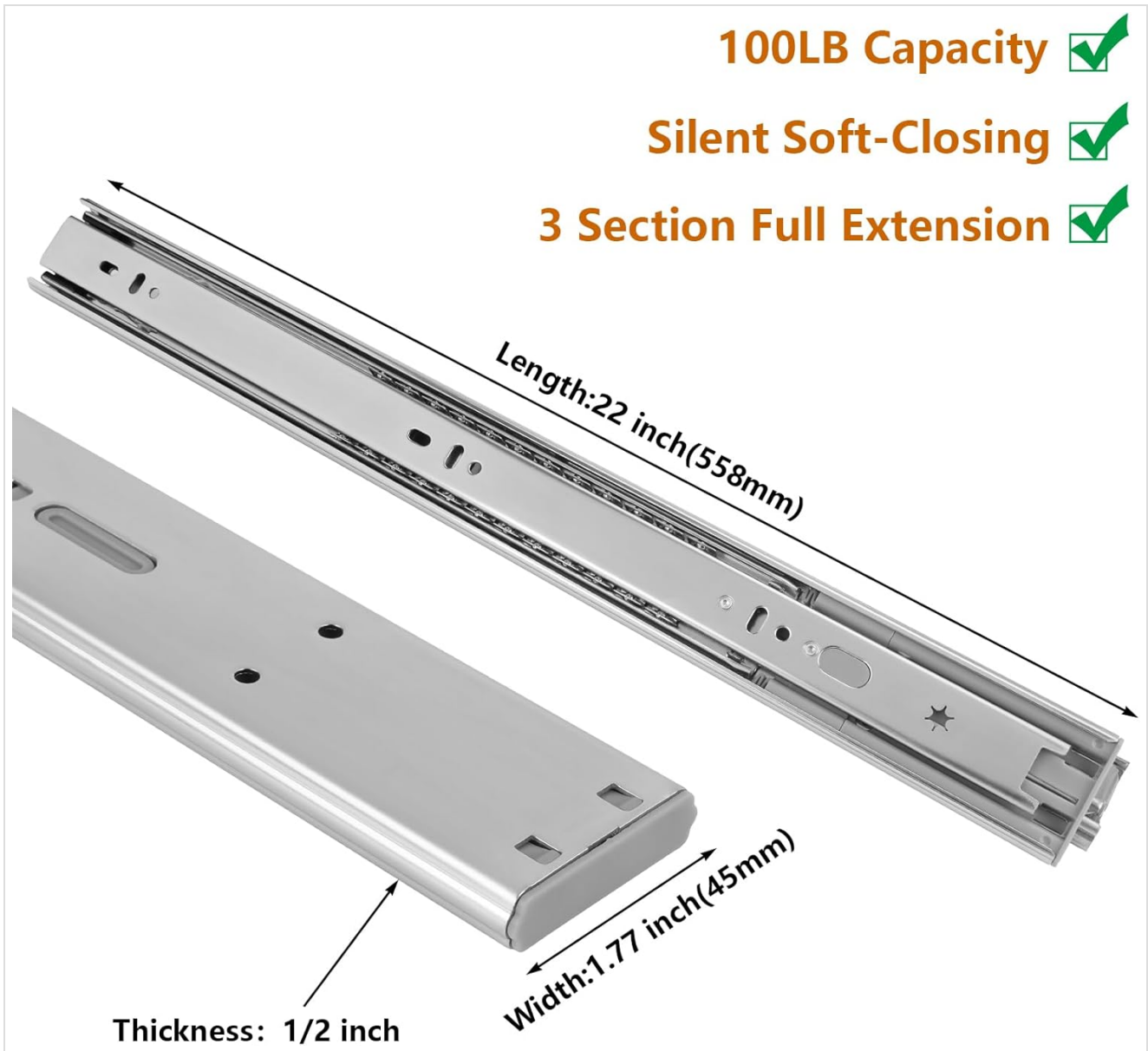


Figure 3: Illustration of installation for framed and frameless cabinet types. Framed cabinets may require additional brackets.

Important: Make sure the two slides are placed in parallel to ensure smooth drawer operation.



Video 1: LONTAN Soft Close Drawer Slides 3D Video. This video demonstrates the installation process and highlights key features like the double row solid ball bearing and upgraded hydraulic dampers with dual springs, ensuring smooth and quiet operation.

4. Mount the Drawer Member

Attach the thinner drawer member to the side of your drawer box. Ensure it is flush with the front edge of the drawer and securely fastened with screws. The fixed hole positions simplify the workflow of installation and adjustment.



Figure 4: Accurate installation is facilitated by fixed hole positions, and the detachable design allows for easy removal of the inner rail.

5. Insert the Drawer

Align the drawer member with the cabinet member and gently push the drawer into the cabinet until it clicks into place. Ensure the inner and outer rails are at the same level for correct insertion.



Figure 5: The complete set of LONTAN Soft Close Drawer Slides, ready for integration into your cabinet system.

Operating the Soft Close Feature

The soft close feature engages automatically when the drawer is pushed gently towards the closed position. The hydraulic damper will slow down the drawer's movement, ensuring a quiet and smooth closure. Avoid forcing the drawer shut, as this can bypass or damage the soft close mechanism.

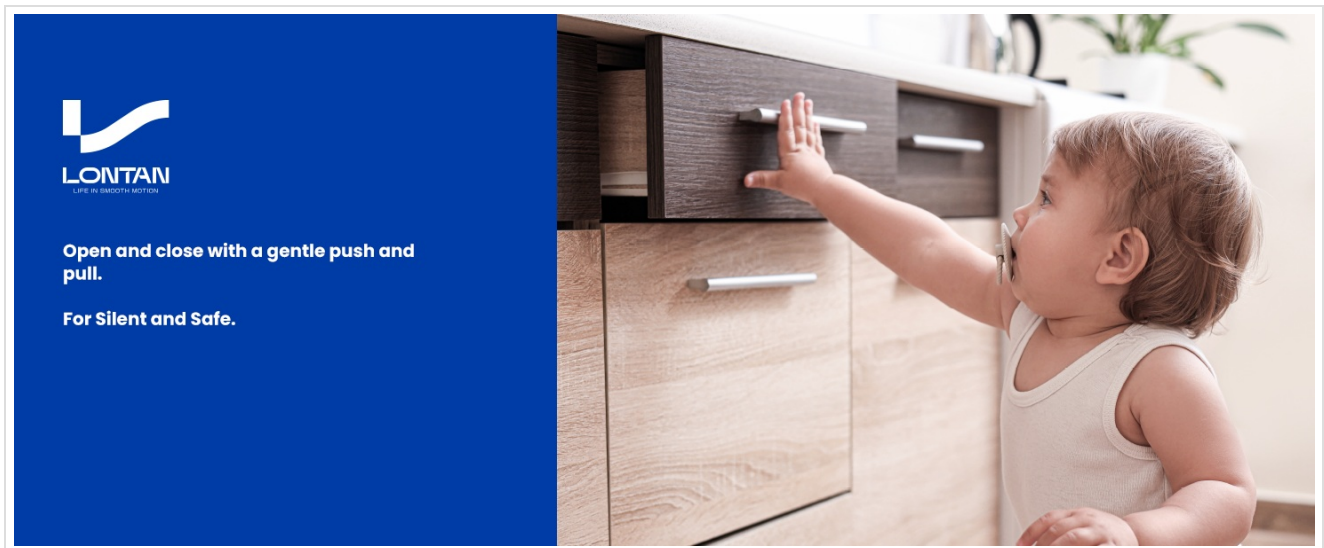


Figure 6: The soft close feature provides a quiet and gentle closing experience, reducing noise and extending furniture lifespan.

Maintenance and Cleaning

LONTAN drawer slides are designed for easy maintenance. If cleaning is required, you can utilize the double disassembly clip to remove the drawer from the cabinet. Wipe the slides with a damp cloth to remove dust or debris. Avoid using abrasive cleaners or harsh chemicals that could damage the zinc-plated finish or the internal mechanisms. Regular light lubrication (e.g., with silicone spray) can help maintain optimal smoothness, especially in high-use applications.



Figure 7: The double strong spring enhances efficiency, and the double disassembly clip allows for easy drawer removal.

TROUBLESHOOTING

If you encounter any issues with your LONTAN Soft Close Drawer Slides, please refer to the common problems and solutions below:

- **Drawer Not Closing Fully or Sticking:**

- Check for obstructions: Ensure no items within the drawer or cabinet are blocking the slide's path.
- Verify alignment: Improper alignment during installation can cause sticking. Ensure both slides are perfectly level and parallel.
- Overload: Confirm the drawer's weight does not exceed the 100 LB capacity. Excessive weight can hinder the soft close mechanism.
- Debris: Clean the ball bearings and rails to remove any accumulated dust or debris that might impede movement.

- **Drawer is Noisy or Rattling:**

- Loose screws: Check all mounting screws on both the drawer and cabinet members and tighten if

necessary.

- Lubrication: Apply a small amount of silicone lubricant to the ball bearings and rails to reduce friction and noise.
- Damage: Inspect the slides for any visible damage or bending. If damaged, replacement may be necessary.

- **Drawer Drops or Detaches:**

- Improper installation: Ensure the double anti-drop function is correctly engaged and the slides are securely mounted.
- Damage to anti-drop mechanism: Inspect the anti-drop clips for any breakage or wear.

If these steps do not resolve the issue, please contact LONTAN customer support for further assistance.

WARRANTY AND SUPPORT

LONTAN is committed to providing high-quality products and excellent after-sale service. If you encounter any quality problems with your ball bearing drawer slides, please do not hesitate to contact us. We are dedicated to resolving any issues to your satisfaction, offering replacements or other suitable solutions as needed. Your satisfaction is our priority, and we aim to ensure a risk-free experience with our products.

For support, please refer to the contact information provided on your product packaging or visit the official LONTAN store online.

Note: Always retain your proof of purchase for warranty claims.