

Manuals.plus /

- › Cornat /
- › Cornat ZELW5 Zelina Single-Lever Mixer Tap Instruction Manual

Cornat ZELW5

Cornat ZELW5 Zelina Single-Lever Mixer Tap

Model: ZELW5 | Brand: Cornat

1. INTRODUCTION

Welcome to the instruction manual for your Cornat ZELW5 Zelina Single-Lever Mixer Tap. This manual provides essential information for the safe installation, operation, and maintenance of your new kitchen faucet. Please read these instructions carefully before installation and keep them for future reference.



Image: The Cornat ZELW5 Zelina Single-Lever Mixer Tap in white/chrome finish.

2. SAFETY INFORMATION

Please observe the following safety guidelines to prevent injury or damage to the product:

- Ensure all water supply lines are turned off before beginning any installation or maintenance work.
- If you are unsure about any installation steps, consult a qualified plumber.
- Do not use abrasive cleaners, scouring pads, or harsh chemicals (e.g., containing acid, alcohol, or chlorine) on the chrome surface, as this may damage the finish.
- Protect the product from frost.

3. PACKAGE CONTENTS

Please check that all parts are present and undamaged before beginning installation:

- 1 x Cornat Zelina Single-Lever Mixer Tap
- 1 x Connection Hose (500 mm length)
- Mounting Accessories (including gaskets, metal washer, fixing rod, and nut)

Note: The replacement ceramic cartridge (spare part AE202, EAN: 4035300393923) is available separately.

4. SETUP AND INSTALLATION

The Cornat Zelina mixer tap is designed for deck mounting with a single hole connection. It is suitable for high-pressure water systems and can be connected to an instantaneous water heater or central hot water supply.

4.1. Before You Begin

- Turn off the main water supply to prevent leaks during installation.
- Ensure the mounting surface (sink or countertop) is clean, dry, and flat.
- Gather necessary tools, such as an adjustable wrench and a screwdriver.

4.2. Installation Steps

1. **Prepare the Mounting Hole:** Ensure your sink or countertop has a standard single mounting hole of appropriate diameter.
2. **Attach Connection Hoses:** Carefully screw the two 500 mm connection hoses into the threaded ports at the base of the tap body. Hand-tighten first, then gently tighten with a wrench to ensure a secure, watertight seal.
3. **Position the Tap:** Insert the tap body, along with the attached hoses and the fixing rod, through the mounting hole from above the sink/countertop.
4. **Secure the Tap:** From underneath the sink, slide the rubber gasket, followed by the metal washer, and then the fixing nut onto the fixing rod. Tighten the nut firmly to secure the tap to the sink or countertop. The tool-free rod fixing allows for quick and easy installation.

5. **Connect Water Supply:** Connect the hot and cold water supply lines to the corresponding connection hoses. Ensure all connections are tight and watertight.
6. **Check for Leaks:** Slowly turn on the main water supply and carefully inspect all connections for any signs of leaks. If leaks are detected, turn off the water supply and re-tighten the connections.

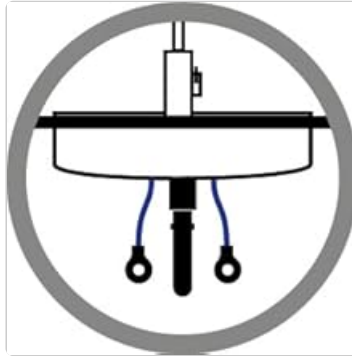


Image: Diagram illustrating a high-pressure connection for the mixer tap, showing the water inlet points.



Image: Close-up of the quick-fixing mechanism, showing how the tap is secured with a rod and nut for easy installation.

5. OPERATING INSTRUCTIONS

The Zelina mixer tap features a single lever for convenient and precise control of water flow and temperature.

- **Water Flow:** Lift the lever upwards to increase water flow. Push it downwards to decrease or stop the flow.
- **Temperature Control:** Move the lever to the left for hot water and to the right for cold water. The high-quality ceramic cartridge allows for fine-step adjustment of the desired temperature.
- **Swiveling Spout:** The tap features a swiveling spout, offering great flexibility and convenience for use with single or double sinks.
- **Aerator:** The integrated aerator provides a soft, full, and water-saving jet, preventing uncontrolled splashing and operating quietly.



Image: The swiveling spout of the Zelina mixer tap, highlighting its rotational capability for versatile use.

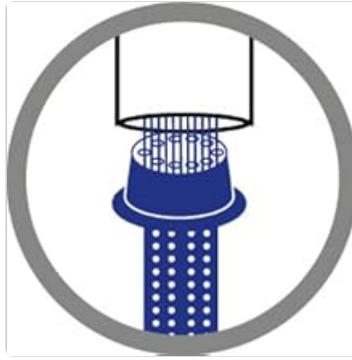


Image: Close-up of the aerator, designed to provide a soft, water-saving, and quiet water jet.

6. MAINTENANCE

Regular cleaning and proper care will ensure the longevity and appearance of your Cornat Zelina mixer tap. The robust brass body and superior chrome plating are designed for durability and corrosion resistance.

6.1. Cleaning the Surface

- Clean the chrome-plated surface with a soft cloth and mild soap or a non-abrasive liquid cleaner.
- Rinse thoroughly with clean water and dry immediately with a soft, lint-free cloth to prevent water spots and maintain shine.
- **Avoid using:** Abrasive cleaners, scouring pads, harsh chemicals, or cleaners containing acid, alcohol, or chlorine, as these can permanently damage the chrome finish.

6.2. Aerator Maintenance

- Periodically unscrew the aerator (M24 x 1) from the spout.
- Clean any mineral deposits or debris from the aerator screen under running water. A soft brush can be used if necessary.
- Reattach the aerator securely to the spout.

6.3. Cartridge Replacement

The tap features an easy-to-replace cartridge with low-wear ceramic sealing discs. If you experience persistent drips, difficulty controlling water flow, or inconsistent temperature, the cartridge (spare part AE202) may need replacement. It is recommended to consult a professional plumber for cartridge replacement if you are unsure about the procedure.

7. TROUBLESHOOTING

This section addresses common issues you might encounter with your mixer tap. For problems not listed here, please contact customer support.

Problem	Possible Cause	Solution
Water leaks from the base of the tap.	Loose mounting nut or damaged gasket.	Tighten the mounting nut underneath the sink. Check and replace the gasket if damaged.
Water drips from the spout.	Worn or faulty ceramic cartridge.	Replace the ceramic cartridge (spare part AE202).
Reduced water flow.	Clogged aerator or mineral deposits in the tap.	Clean the aerator. If the problem persists, professional inspection may be required.
Difficulty adjusting water temperature.	Faulty ceramic cartridge or issues with hot/cold water supply.	Check hot and cold water supply lines. If supplies are fine, replace the ceramic cartridge (AE202).

8. SPECIFICATIONS

Technical details for the Cornat ZELW5 Zelina Single-Lever Mixer Tap:

Feature	Detail
Model Number	ZELW5
Brand	Cornat
Type	Single-Lever Mixer Tap
Application	Kitchen Sink
Material	Brass Body, Chrome Finish
Color	White/Chrome
Mounting Type	Deck Mounted, 1-Hole Installation
Connection Type	High Pressure
Connection Hose Length	500 mm
Aerator	M24 x 1, Noise Class Certified
Cartridge	Ceramic Sealing Discs (Spare part: AE202)
Special Features	Swiveling Spout, Tool-free Rod Fixing
Product Dimensions (L x W x H)	39.5 x 30 x 9.5 cm
Weight	1.97 kg
Approval	KTW Directive



Produkt-Abmessungen

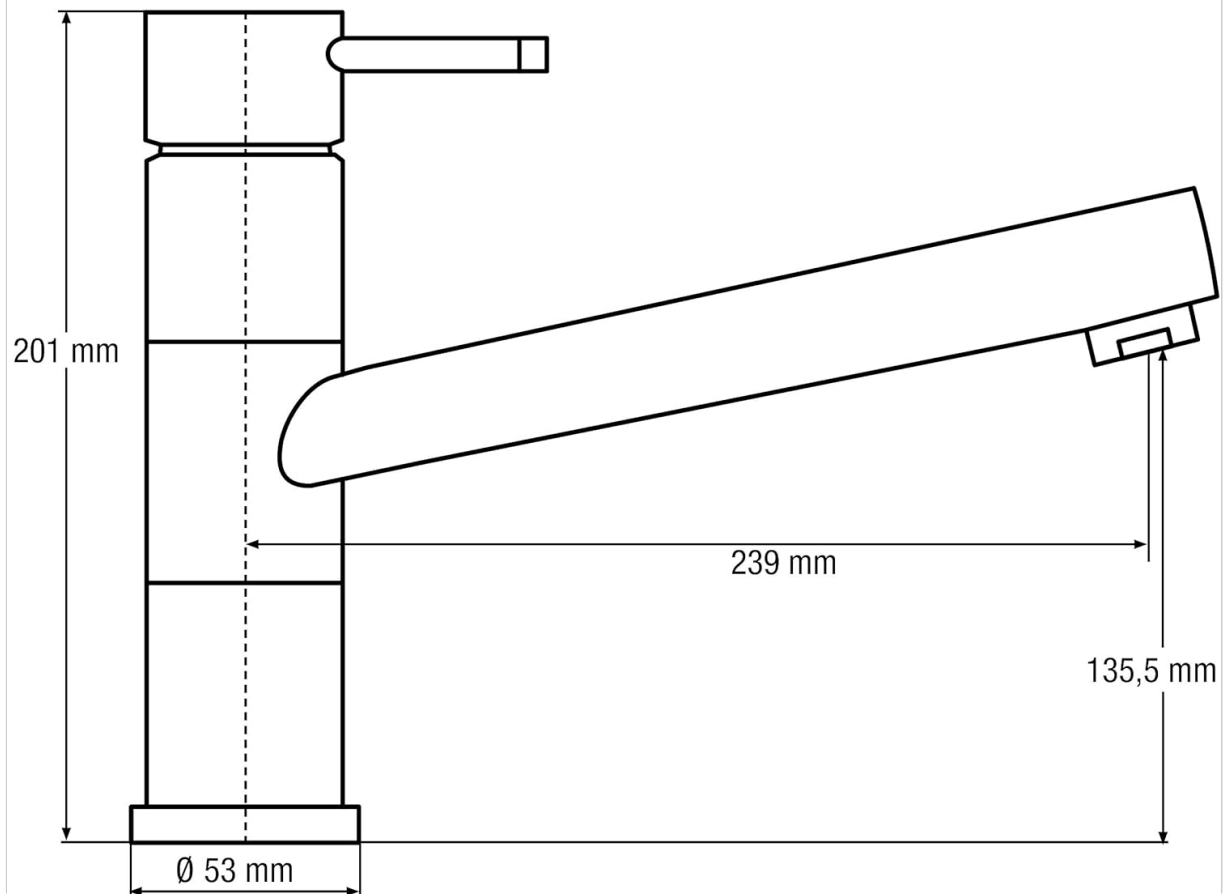


Image: Side view of the Cornat Zelina Single-Lever Mixer Tap, providing a visual reference for its dimensions.

9. WARRANTY INFORMATION

Specific warranty details for the Cornat ZELW5 Zelina Single-Lever Mixer Tap are not provided in the product description. For comprehensive warranty terms and conditions, please refer to the manufacturer's official website or contact their customer service directly. Always retain your proof of purchase for any warranty claims.

10. SUPPORT

For further assistance, technical support, or inquiries regarding spare parts, please contact Cornat customer service. When contacting support, please have your product model (ZELW5) and proof of purchase available.

- **Manufacturer:** Cornat
- **Website:** Please refer to Cornat's official website for up-to-date contact information and support resources.
- **Spare Part (Cartridge):** AE202 (EAN: 4035300393923)



Image: The official Cornat brand logo.