

Intex 26798

Intex 26798NP Oval Prism Frame Pool Instruction Manual

Model: 26798

1. INTRODUCTION

This manual provides essential information for the safe and efficient setup, operation, and maintenance of your Intex 26798NP Oval Prism Frame Pool. Please read all instructions carefully before installation and retain this manual for future reference. This pool is designed for recreational use and is suitable for individuals aged 6 years and older, with a capacity for up to 8 people.

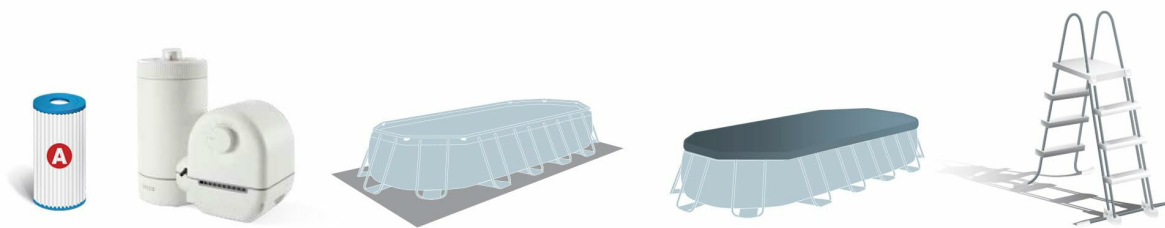


Image 1.1: The Intex 26798NP Oval Prism Frame Pool, ready for use in a backyard setting.

2. SAFETY INFORMATION

WARNING: Failure to follow these instructions can result in serious injury or death.

- **Adult Supervision Required:** Always supervise children and individuals with disabilities in and around the pool.
- **No Diving or Jumping:** The pool is not deep enough for diving or jumping.
- **Secure Access:** Always use the safety ladder provided and ensure it is removed or secured when the pool is not in use to prevent unsupervised access.
- **Proper Installation:** Install the pool on a firm, level, and stable surface. Ensure the area is clear of sharp objects.
- **Electrical Safety:** Connect the filter pump only to a grounded outlet protected by a Ground Fault Circuit Interrupter (GFCI) or Residual Current Device (RCD). Do not use extension cords.
- **Chemical Handling:** Handle pool chemicals according to manufacturer's instructions. Keep chemicals out of reach of children.
- **Load Capacity:** The maximum user load for this pool is calculated at 1007 kg/m² (based on 8 users

weighing 50 kg each). For any installation on rooftops or elevated structures (terraces, balconies, attics, patios), consult a qualified technician to verify the maximum load capacity supported by the building structure.



CARGA DE USO*: 1007 kg/m²

*Carga de uso calculada con 8 usuarios de 50 kg de peso.

IMPORTANTE: para cualquier instalación sobre cubiertas o forjados (terrazas, balcones, azoteas, áticos, patios...) consultar con un técnico la carga máxima soportada por la construcción.

Image 2.1: Important warning regarding the pool's load capacity and the need for structural consultation on elevated surfaces.

3. PACKAGE CONTENTS

Verify that all components listed below are present and undamaged before beginning assembly. If any parts are missing or damaged, do not proceed with assembly and contact Intex customer service.

- Intex Prism Frame Oval Pool Liner (610 x 305 x 122 cm)
- Durable Steel Tubular Frame Set with Epoxy Finish
- Type A Cartridge Filter Pump (5,678 l/h filtration capacity, 38 mm connection)
- Safety Ladder
- Ground Cloth
- Pool Cover
- Instruction Manual

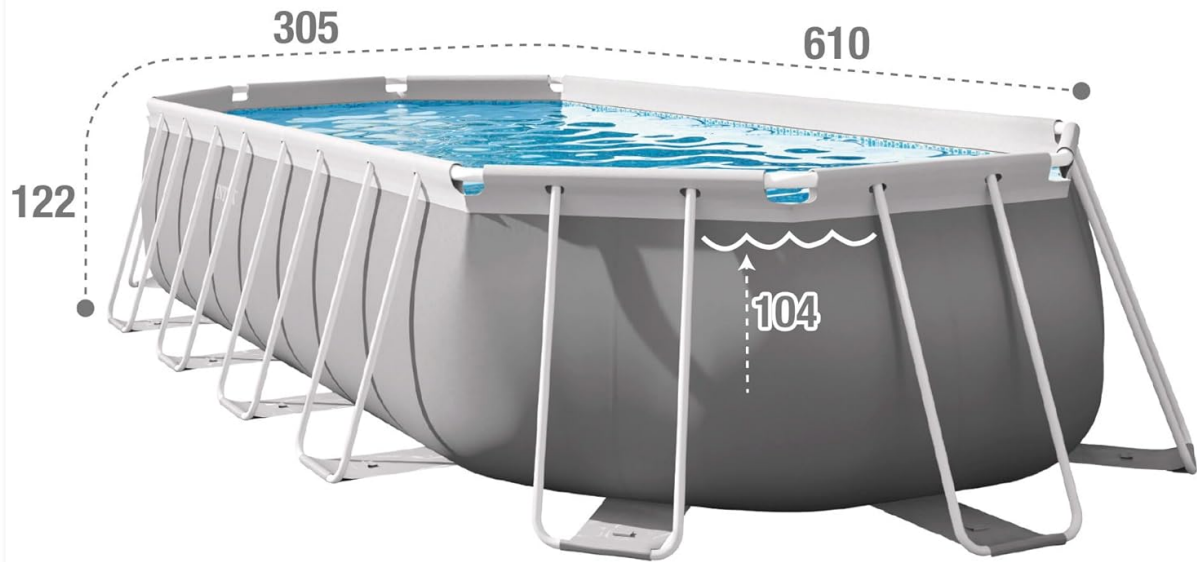
4. SITE PREPARATION & SETUP

4.1 Site Selection

Choose a flat, level area in your garden or patio. The ground must be firm and free of any sharp objects, debris, or roots. Ensure there is adequate space around the pool for safe access and maintenance. Avoid placing the pool under overhead power lines or near structures that could fall into the pool.

4.2 Assembly

1. **Prepare the Ground:** Lay the ground cloth on the selected area. This protects the pool liner from punctures.
2. **Unfold the Liner:** Carefully unfold the pool liner onto the ground cloth. Position the drain plug towards the area where you intend to drain the pool.
3. **Assemble the Frame:** Follow the diagrams provided in the separate assembly guide (if included) to connect the steel tubular frame pieces. Ensure all connections are secure. The frame is designed for easy interlocking.
4. **Attach the Liner:** Secure the pool liner to the frame according to the assembly instructions. Ensure the liner is evenly stretched and free of wrinkles.
5. **Fill with Water:** Begin filling the pool with water. As the water level rises, smooth out any remaining wrinkles in the bottom of the liner. Fill to the recommended water line, which is approximately 104 cm from the bottom (total height 122 cm).
6. **Install Filter Pump:** Connect the filter pump to the designated inlets and outlets on the pool liner using the 38 mm connections. Refer to the filter pump manual for detailed installation.
7. **Install Safety Ladder:** Assemble and install the safety ladder. Ensure it is stable and securely placed.



CE



60 min
Montaje - Assembly



18.202 L

Image 4.1: Pool dimensions and recommended water level for the Intex 26798NP model.

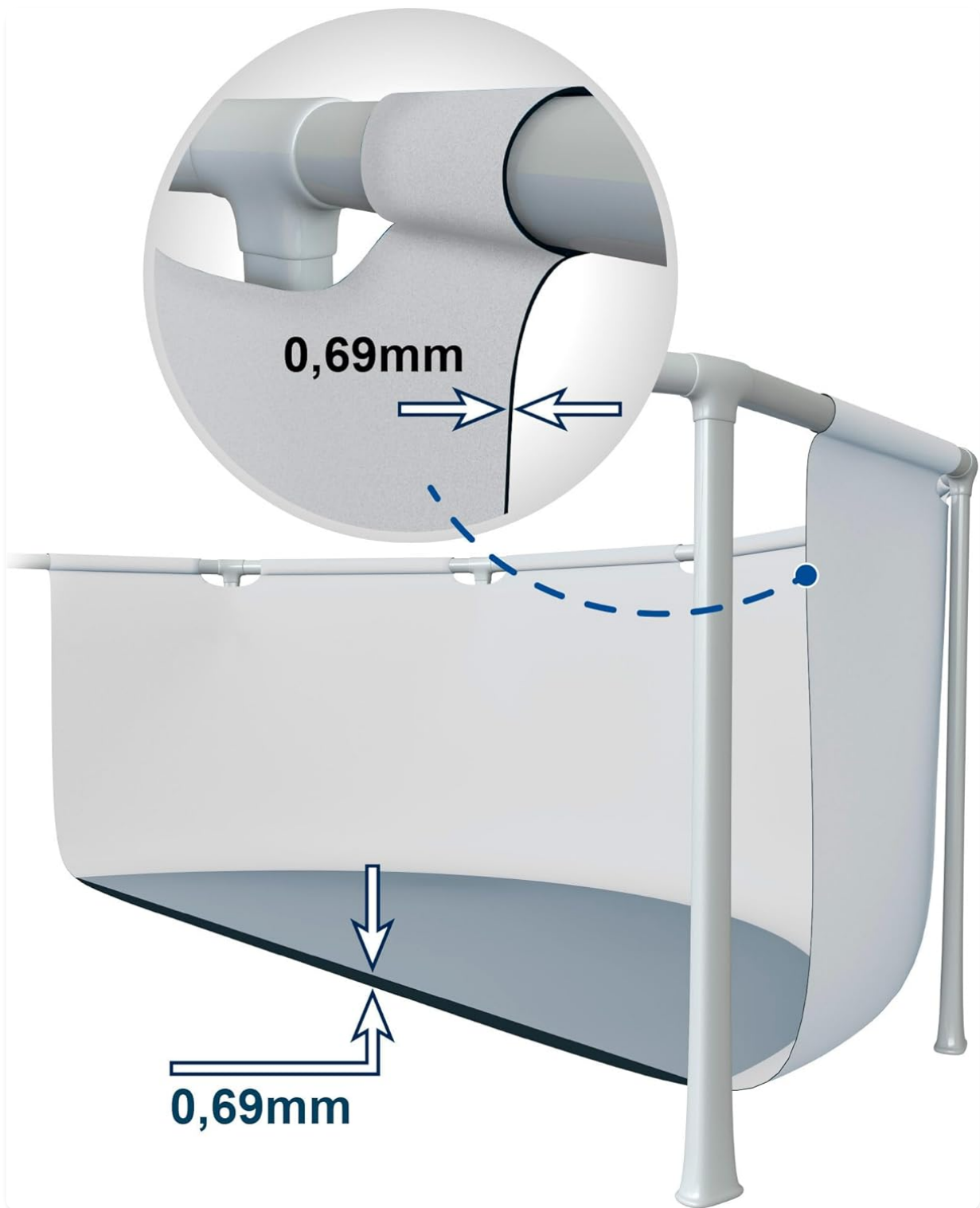


Image 4.2: Detail of the durable triple-layer liner construction, showing its 0.67 mm thickness.

5. FILTER PUMP OPERATION

The included Type A cartridge filter pump is essential for maintaining water clarity. It has a filtration capacity of 5,678 liters per hour.

1. **Initial Setup:** Ensure the pump is connected correctly to the pool and the power supply.
2. **Operation:** Run the filter pump for several hours each day to circulate and filter the pool water. The exact duration depends on pool usage and water conditions. Consult the pump manual for specific operating times.
3. **Filter Cartridge:** The filter cartridge (Type A) should be rinsed with a garden hose every few days and

replaced every two weeks, or more frequently if the water appears cloudy or the pump flow rate decreases.

4. **Hydro Aeration Technology:** The pool system incorporates Hydro Aeration Technology to improve water circulation and filtration, enhancing water clarity and freshness.



Image 5.1: Hydro Aeration Technology and filter pump components, highlighting the 5,678 L/Hr flow rate.

6. WATER TREATMENT & MAINTENANCE

Proper water chemistry is crucial for a safe and enjoyable swimming experience.

- **Test Water Regularly:** Use a pool test kit to check pH and chlorine levels daily or as needed.
- **Adjust pH:** Maintain pH levels between 7.2 and 7.6. Use pH increaser or decreaser as required.
- **Sanitize:** Add chlorine tablets to a floating dispenser to sanitize the water. Follow the chemical manufacturer's instructions for dosage.
- **Cleaning:** Regularly skim debris from the water surface and use a pool vacuum to clean the bottom of the pool.
- **Pool Cover:** Use the included pool cover when the pool is not in use to prevent debris from entering and reduce water evaporation.

7. DRAINING & STORAGE

When the swimming season ends, or if the pool needs to be moved, follow these steps for draining and storage:

1. **Drain Water:** Connect a garden hose to the drain plug located on the pool liner. Direct the hose to a suitable drainage area away from your home. Open the drain plug to allow water to empty.
2. **Clean the Pool:** Once empty, thoroughly clean the pool liner and frame components.
3. **Dry Completely:** Ensure the liner and all metal parts are completely dry before disassembling. This prevents mold, mildew, and corrosion.
4. **Disassemble:** Carefully disassemble the frame and liner, reversing the assembly steps.
5. **Store:** Fold the liner compactly and store all components in a dry, protected area, away from extreme temperatures and pests.

8. TROUBLESHOOTING

This section addresses common issues you might encounter with your pool.

- **Cloudy Water:** Check filter cartridge for cleanliness and replace if necessary. Test water chemistry and adjust chlorine and pH levels. Increase filter pump operating time.
- **Low Water Flow from Pump:** Clean or replace the filter cartridge. Check for blockages in the pump hoses or skimmer basket. Ensure pump is primed correctly.
- **Pool Leaks:** Inspect the liner for punctures. Use a vinyl repair kit to patch small holes. Check all hose connections for tightness.
- **Frame Instability:** Ensure the pool is on a perfectly level surface. Recheck all frame connections to ensure they are fully engaged.

For issues not covered here, please contact Intex customer support.

9. SPECIFICATIONS

Feature	Detail
Model Number	26798
Brand	Intex
Shape	Oval
Dimensions (L x W x H)	610 x 305 x 122 cm
Water Capacity (90%)	18,200 Liters
Material	Polyvinyl Chloride (PVC)
Liner Thickness	0.67 mm (Triple Layer)
Filter Pump Type	Cartridge Filter Pump (Type A)
Filter Pump Flow Rate	5,678 Liters/Hour

Included Components	Filter pump, safety ladder, ground cloth, pool cover
Product Weight	115.5 Kilograms
Recommended Age	6 years and older
User Capacity	8 people

10. WARRANTY & SUPPORT

For warranty information, product registration, or technical support, please refer to the warranty card included with your product or visit the official Intex website. Keep your purchase receipt as proof of purchase.

© 2024 Intex Recreation Corp. All rights reserved.