

[Manuals.plus](#) /

› [Intex](#) /

› Intex Ultra XTR Frame Rectangular Swimming Pool Set User Manual

## Intex 26356NP

# Intex Ultra XTR Frame Rectangular Swimming Pool Set User Manual

Model: 26356NP

Brand: Intex



## 1. PRODUCT OVERVIEW

The Intex Ultra XTR Frame Rectangular Swimming Pool Set 26356NP with sand filter pump is designed for optimal summer enjoyment and relaxation in your garden. This comprehensive set includes the pool, a ladder, a robust tubular support structure, a sand filter pump, a pool cover, and a ground cloth.

Key features of this product include:

- Elegant graphite coating with stunning blue tile print for the liner.
- All edges are rounded and beveled for enhanced child protection.
- Constructed from super-resistant PVC plastic with a durable polyester middle layer.



Image 1.1: The Intex Ultra XTR Frame Rectangular Swimming Pool Set, showcasing its design and components.

## 2. SAFETY INFORMATION

### **Important Safety Notice:**

The use of swimming pools requires strict compliance with the safety instructions provided in this user manual. To prevent serious accidents, including drowning, particular attention must be paid to preventing uncontrolled access to the swimming pool by children under 5 years old. Children must always be supervised by an adult during bathing. Please refer to local building codes and regulations for specific installation requirements in your area. Always check for additional warnings and safety guidelines provided with the product.

**IMPORTANT: Keep this manual for future reference. Please read all instructions on the product and in this guide carefully before assembly and use.**



Image 2.1: Warning regarding the maximum usage load of 1176 kg/m<sup>2</sup> for the pool. It advises consulting a technician for installation on roofs or slabs (terraces, balconies, rooftops, attics, patios) to determine the maximum load supported by the structure.

### 3. SETUP AND ASSEMBLY

The Intex Ultra XTR Frame Pool is designed for easy assembly, featuring a new connection method that eliminates the need for additional clips to join metal parts. While assembly is straightforward, it is recommended to have at least two people for the setup process.

#### 3.1 Site Preparation

Ensure the ground where the pool will be installed is perfectly level. An uneven surface can lead to structural issues and affect the pool's stability and longevity. Clear the area of any sharp objects, debris, or roots.

#### 3.2 Ground Cloth Placement

Lay the included ground cloth on the prepared level surface. This provides an additional layer of protection for the pool liner from punctures and abrasions.

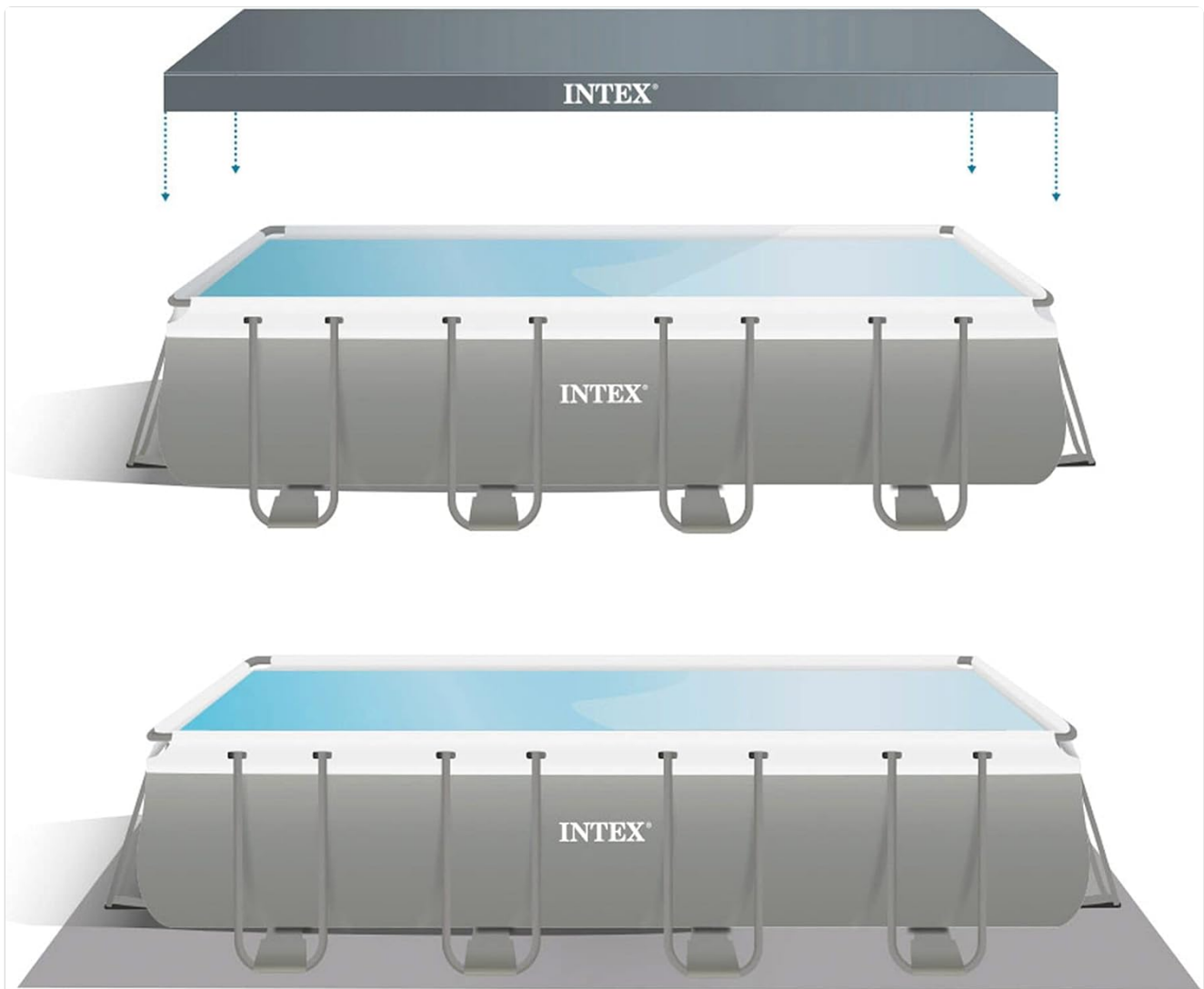


Image 3.1: Illustration of the pool setup process, including the placement of the ground cloth and the pool cover.

### 3.3 Frame Assembly

Follow the detailed instructions provided in the separate assembly manual for connecting the tubular support structure. The new design simplifies this process, allowing for quick and secure connections.

### 3.4 Liner Installation

Carefully spread the pool liner within the assembled frame. Ensure the liner is centered and smooth, with no wrinkles on the bottom surface. The liner features a stunning blue tile print on the interior.

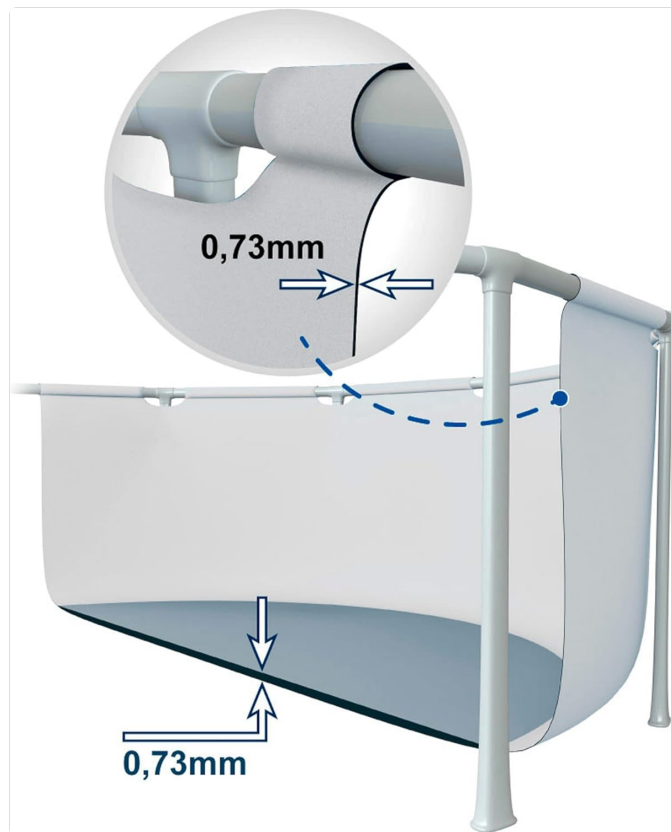


Image 3.2: A detailed cross-section showing the 0.73mm thickness of the pool liner, highlighting its robust construction.

### 3.5 Ladder Assembly

Assemble the included pool ladder according to its specific instructions. Ensure all parts are securely fastened before use. The ladder provides safe entry and exit from the pool.



Image 3.3: The included pool ladder, designed for safe access to the pool.

## 4. OPERATING THE SAND FILTER PUMP

---

This pool set includes a sand filter pump to maintain water clarity and hygiene. Proper operation of the pump is crucial for a clean swimming environment.

### 4.1 Pump Installation

Connect the sand filter pump to the pool according to the provided diagrams and instructions. Ensure all hoses are securely attached and free from leaks. The pump operates on AC power.



Image 4.1: The Intex sand filter pump, an essential component for water filtration.

## 4.2 Filling the Pool

Once the frame and liner are fully assembled and the pump is connected, begin filling the pool with water. Monitor the water level and ensure the liner settles correctly as it fills. The pool has a capacity of 17,203 liters.



Image 4.2: A family enjoying the Intex Ultra XTR Frame Rectangular Swimming Pool, demonstrating its use.

### **4.3 Pump Operation**

Refer to the sand filter pump's specific manual for detailed operating instructions, including recommended run times, backwashing procedures, and filter media replacement. Regular operation of the pump is vital for maintaining clean and clear pool water.

## **5. MAINTENANCE**

---

Regular maintenance is essential to ensure the longevity and hygiene of your Intex pool. This includes water chemistry balance, filtration, and physical cleaning.

### **5.1 Water Treatment**

Test your pool water regularly for pH, chlorine, and alkalinity levels. Adjust chemicals as needed to maintain optimal balance, which prevents algae growth and ensures swimmer comfort.

### **5.2 Filtration**

Operate the sand filter pump daily for several hours, as recommended in the pump manual, to circulate and filter the water. Periodically backwash the sand filter to remove trapped debris and maintain efficient filtration.

### 5.3 Cleaning

Skim the surface of the pool daily to remove leaves and other floating debris. Use a pool vacuum to clean the bottom of the pool. Brush the pool walls and floor regularly to prevent dirt and algae buildup.

### 5.4 Pool Cover Use

Use the included pool cover when the pool is not in use to prevent debris from entering the water and to reduce evaporation.

## 6. TROUBLESHOOTING

---

This section provides general guidance for common issues. For specific problems, consult the detailed troubleshooting section in your sand filter pump manual or contact customer support.

### 6.1 Cloudy Water

- Check and adjust water chemistry (pH, alkalinity, sanitizer).
- Ensure the filter pump is running for sufficient hours daily.
- Backwash the sand filter.

### 6.2 Pump Not Operating

- Verify power connection and circuit breaker.
- Check for clogs in the skimmer basket or pump impeller.
- Ensure the pump is primed (filled with water).

### 6.3 Leaks

- Inspect the liner for punctures or tears. Use a repair kit if necessary.
- Check all hose connections for tightness.

## 7. SPECIFICATIONS

---

Attribute	Value
Product Dimensions	274 x 549 x 132 cm; 455 grams
Part Number	26356NP
Assembled Item Length	274 cm
Material Type	Polyvinyl Chloride (PVC)
Capacity	17203 liters
Power Source Type	AC
Manufacturer	Intex Recreation Corp.
Item Model Number	26356NP

ASIN	B07FB5JR6B
Date First Available	January 16, 2023
Brand	Intex
Shape	Rectangular
Color	Blue/Dark Gray
Included Components	Filter pump
Assembly Required	Yes
Global Trade Identification Number	06941057413808

## 8. WARRANTY AND SUPPORT

---

For warranty information and customer support, please refer to the documentation included with your product or visit the official Intex Recreation Corp. website. Keep your purchase receipt as proof of purchase.

For any questions or assistance, please contact Intex customer service directly.



© 2023 Intex Recreation Corp. All rights reserved.

This manual is for informational purposes only. Product specifications are subject to change without notice.