

[Manuals.plus](#) /

> [Godspeed](#) /

> Godspeed AK-038-F Adjustable Rear Camber Arms Instruction Manual for Volkswagen EOS (2007-2016)

Godspeed AK-038-F

Godspeed AK-038-F Adjustable Rear Camber Arms Instruction Manual

For Volkswagen EOS (2007-2016)

1. INTRODUCTION

The Godspeed AK-038-F Adjustable Rear Camber Arms are designed to correct wheel alignment specifications, particularly after lowering a vehicle. Standard original equipment (OE) suspension components often lack camber or toe angle adjustment, which can lead to poor handling and premature, uneven tire wear when a vehicle's ride height is altered. This kit helps restore proper alignment, improving vehicle handling and extending tire lifespan.

This product is compatible with Volkswagen EOS (1F) models from 2007 to 2016.



Image 1.1: The Godspeed AK-038-F Adjustable Rear Camber Arms, showcasing their robust construction and red powder-coated finish.

2. SAFETY INFORMATION

WARNING: THIS PRODUCT IS STRICTLY FOR OFF-ROAD AND SHOW USE ONLY. THIS PRODUCT IS NOT INTENDED FOR ACHIEVING EXTREME CAMBER, commonly referred to as the "STANCE LOOK." ANY FORM OF DRIVING WITH THE "STANCE LOOK" IS DANGEROUS AND IRRESPONSIBLE.

Always ensure the vehicle is securely supported on jack stands or a lift before beginning any installation or adjustment procedures. Wear appropriate personal protective equipment, including safety glasses and gloves. Consult a professional mechanic if you are unsure about any steps in the installation or adjustment process.

3. FEATURES

- **Heavy Duty Steel Alloy Construction:** Ensures durability and reliability for both daily driving and high-performance applications.
- **Camber/Toe Angle Adjustment:** Allows for precise alignment correction when lowering your vehicle, with an adjustment range of approximately +/- 3 degrees.
- **Improved Handling:** Correcting camber angles enhances vehicle stability and responsiveness.
- **Increased Tire Lifespan:** Proper alignment prevents uneven tire wear, extending the life of your tires.
- **Corrosion-Resistant Finish:** Features a powder coat for enhanced protection against corrosion.
- **Direct OE Replacement:** Engineered for direct replacement of original equipment arms, facilitating installation.



Image 3.1: A detailed view of the adjustment mechanism on the Godspeed AK-038-F camber arm, highlighting the robust nuts and threaded section for precise camber changes.

4. SETUP AND INSTALLATION

The Godspeed AK-038-F camber arms are engineered as a direct replacement for the original equipment (OE) arms, simplifying the installation process. However, **no installation instructions are included with this product.**

Professional installation by experienced mechanics is highly recommended. Improper installation can lead to vehicle damage, poor handling, and safety hazards. A professional will ensure correct fitment, proper torque specifications, and accurate alignment adjustments.

After installation, a full wheel alignment must be performed by a qualified technician to set the camber and toe angles within the desired specifications. This is crucial for optimal vehicle performance and tire longevity.

AK-038
AK-126

AK-270

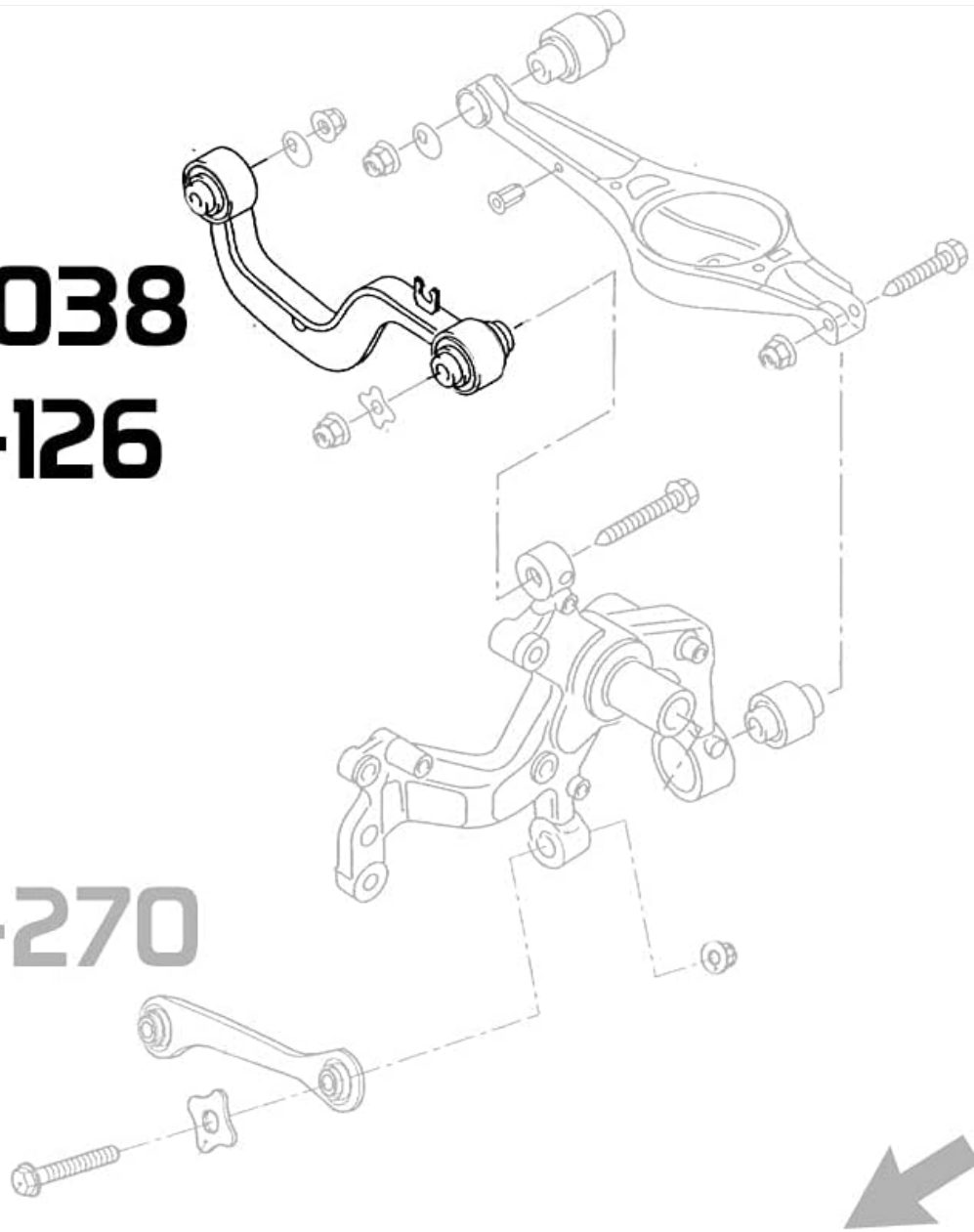


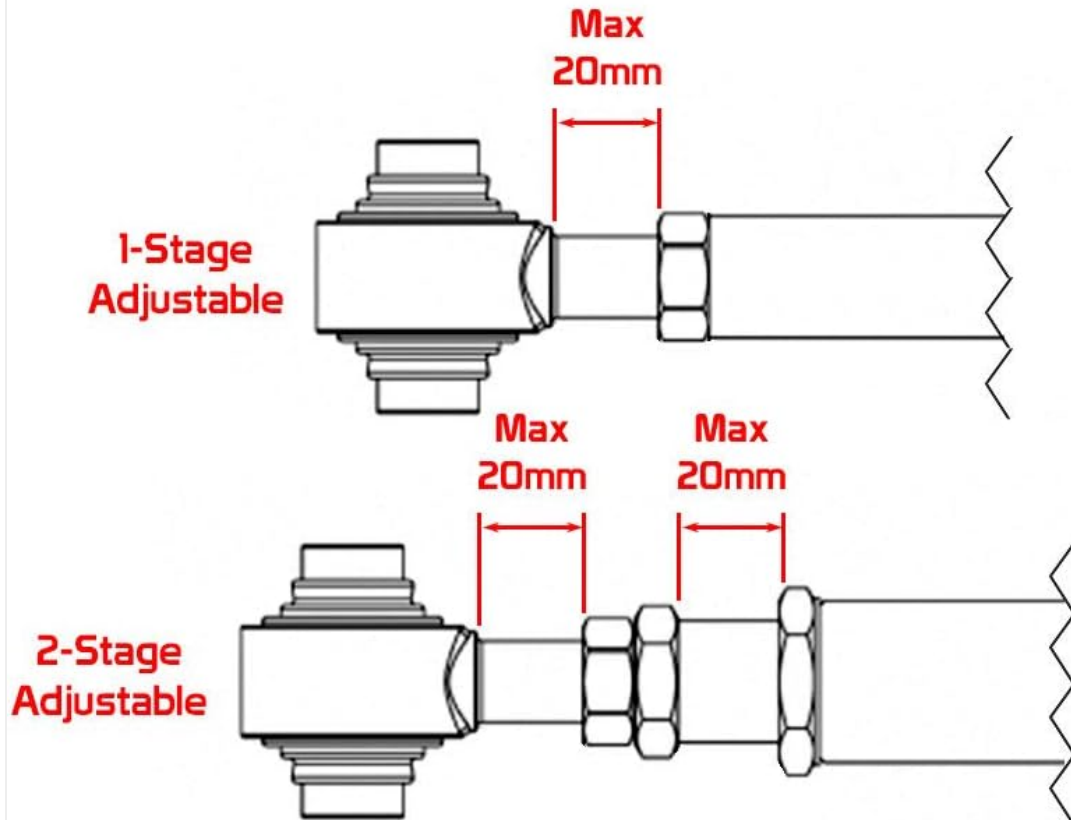
Image 4.1: An exploded diagram illustrating the general location of the AK-038 camber arm within a vehicle's rear suspension assembly, indicating its position relative to other components.

5. OPERATING AND ADJUSTMENT

Once installed, the adjustable nature of these camber arms allows for fine-tuning of the rear wheel camber angle. This adjustment is critical for vehicles that have been lowered, as lowering often causes the wheels to gain excessive negative camber, leading to uneven tire wear and compromised handling.

The adjustment mechanism, typically a threaded section with locking nuts, allows the length of the arm to be altered. Lengthening or shortening the arm changes the camber angle. This adjustment should always be performed by a professional using specialized alignment equipment to achieve precise and symmetrical settings.

GODSPEED *Project*



Max Range Recommendation

Image 5.1: A diagram demonstrating the maximum recommended adjustment range for Godspeed camber arms, showing how 1-stage and 2-stage adjustable designs allow for up to 20mm of extension or retraction.

6. MAINTENANCE

The Godspeed AK-038-F camber arms feature a durable power-coated finish designed to resist corrosion. Regular inspection of the arms, spherical bearings, and mounting points is recommended to ensure continued performance and safety. Check for any signs of wear, damage, or loose fasteners during routine vehicle maintenance.

Keep the components clean from road grime and debris. If the vehicle is frequently exposed to harsh conditions (e.g., road salt, off-road use), more frequent inspections and cleaning may be necessary.



Image 6.1: A close-up view of the spherical bearing integrated into the Godspeed AK-038-F camber arm, highlighting its robust design for articulation and durability.

7. TROUBLESHOOTING

If you experience issues after installation, consider the following:

- **Persistent Alignment Issues:** Ensure a professional alignment has been performed. If issues persist, re-check all installation points for proper torque and fitment.
- **Noise from Suspension:** Inspect all bushings and spherical bearings for wear or damage. Ensure all fasteners are tightened to manufacturer specifications.
- **Incompatibility:** This item is **not designed for vehicles with excessive camber requirements or air suspensions**. Attempting to use it in such applications may lead to improper function or damage.

8. SPECIFICATIONS

| Specification | Detail |
|---------------|----------|
| Model Number | AK-038-F |

| | |
|------------------|---------------------------------------|
| Compatibility | Volkswagen EOS (1F) 2007-2016 |
| Material | Heavy Duty Steel Alloy |
| Adjustment Range | +/- 3 Degrees (Camber/Toe) |
| Finish | Power Coat (Corrosion Resistant) |
| Item Weight | Approximately 12 pounds (for the set) |
| Fit Type | Vehicle Specific |

9. LEGAL DISCLAIMER

This product is intended for Off-road Competition Use Only.

10. WARRANTY AND SUPPORT

Information regarding product warranty and specific customer support contacts is not provided in the available product details. Please refer to your purchase documentation or contact the retailer/manufacturer directly for warranty claims or technical assistance.