

[Manuals.plus](#) /

> [Logilink](#) /

> LogiLink BP0056 Projector Mount: Installation and Operation Manual

Logilink BP0056

LogiLink BP0056 Projector Mount: Installation and Operation Manual

Model: BP0056 | Brand: LogiLink

1. INTRODUCTION

This manual provides comprehensive instructions for the installation, operation, and maintenance of your LogiLink BP0056 Projector Mount. Designed for projectors weighing up to 25 kg, this mount offers robust support and flexible positioning with tilt, swivel, and 360° rotation capabilities. Please read this manual thoroughly before installation and retain it for future reference.



Figure 1: LogiLink BP0056 Projector Mount. This image shows the complete projector mount assembly from a front-facing perspective, highlighting its white finish and adjustable arms.

2. SAFETY INFORMATION

WARNING: Failure to read, understand, and follow all instructions can result in serious personal injury, property damage, or voiding of your warranty. Improper installation may lead to equipment falling, causing severe injury.

- Ensure the mounting surface can safely support the combined weight of the mount and the projector.
- Do not exceed the maximum weight capacity of 25 kg (55 lbs).
- Use only the provided mounting hardware or suitable alternatives for your specific wall/ceiling type.
- Always have two people for installation to prevent accidents.
- Keep children and pets away during installation.
- Regularly check all screws and connections to ensure they remain secure.

3. PACKAGE CONTENTS

Verify that all components are present and undamaged before beginning installation. If any parts are missing or damaged, contact your retailer immediately.

- 1 x LogiLink BP0056 Projector Mount
- 1 x Mounting Material (screws, anchors, washers)
- 1 x User Manual



Figure 2: Detail of the mount's central column and adjustment lever. This image provides a close-up view of the LogiLink branding and the mechanism used for adjusting the projector's angle.

4. SPECIFICATIONS

Feature	Detail
Model Number	BP0056
Brand	LogiLink
Maximum Weight Capacity	25 kg (55 lbs)
Arm Length	135 mm
Projector Diameter Compatibility	80 - 500 mm

Feature	Detail
Tilt Adjustment	-20° / +20°
Swivel Adjustment	-20° / +20°
Rotation	360°
Material	Aluminium Alloy Steel
Color	White
Product Dimensions (L x W x H)	20.28 x 20.28 x 5.31 inches
Item Weight	4.26 pounds

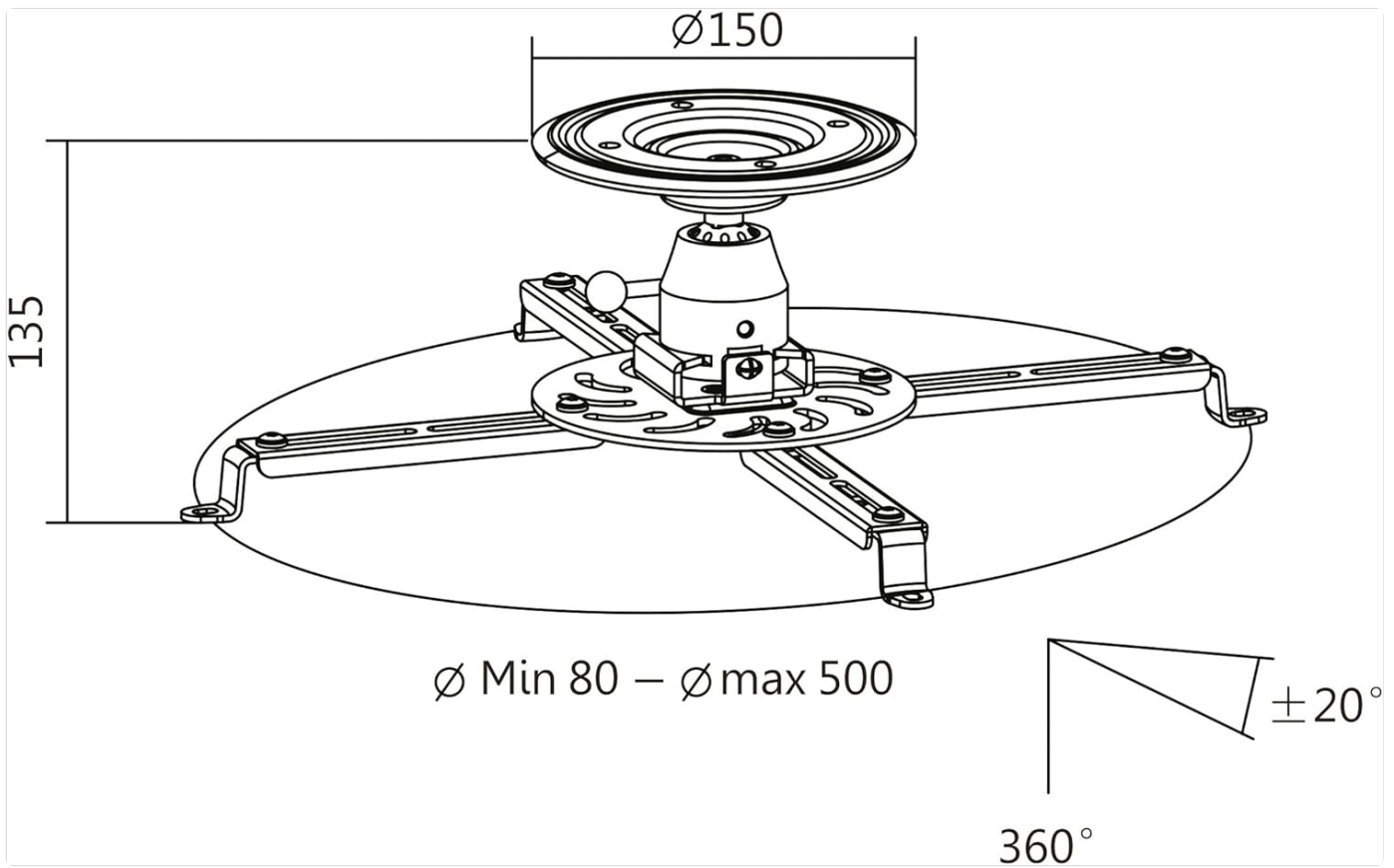


Figure 3: Dimensional drawing of the BP0056 mount. This diagram illustrates the key measurements including arm length, base diameter, and tilt/rotation ranges.



Figure 4: LogiLink Projector Mounts comparison table. This table provides an overview of various LogiLink projector mounts, with the BP0056 model highlighted, detailing its specific features and compatibility.

5. SETUP & INSTALLATION

Follow these steps carefully to ensure a secure and stable installation of your projector mount.

5.1. Pre-Installation Checklist

- Verify that your projector's weight does not exceed 25 kg.
- Confirm that your projector has mounting holes compatible with the mount's adjustable arms (diameter 80-500 mm).
- Identify a suitable mounting location on a flat ceiling that can support the combined weight.

- Gather necessary tools (e.g., drill, screwdriver, level, measuring tape).

5.2. Mounting the Bracket to the Ceiling

1. Position the ceiling plate of the mount at your desired location. Use a pencil to mark the drill holes.
2. Drill pilot holes into the ceiling at the marked positions. Ensure the drill bit size matches the provided anchors.
3. Insert the anchors into the drilled holes.
4. Align the ceiling plate with the anchors and secure it using the provided screws. Tighten firmly, but do not overtighten.

5.3. Attaching the Projector to the Mount

1. Adjust the four arms of the projector mount to align with the mounting holes on your projector.
2. Secure the projector to the mount's arms using the appropriate screws from the mounting material kit. Ensure all screws are tightened evenly and securely.
3. Carefully lift the projector (with the attached lower part of the mount) and connect it to the ceiling-mounted plate. Follow the specific connection mechanism (e.g., slide-in, twist-lock) as indicated by the design.
4. Secure the connection between the projector assembly and the ceiling plate with any locking mechanisms or screws provided.

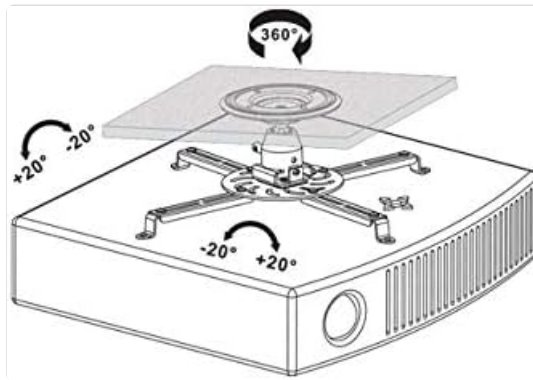


Figure 5: Projector mounted and ready for adjustment. This illustration demonstrates a projector securely attached to the mount, indicating the available tilt and rotation ranges.

6. OPERATION AND ADJUSTMENT

The LogiLink BP0056 Projector Mount allows for flexible positioning of your projector to achieve the optimal viewing angle.

6.1. Tilt Adjustment

To adjust the vertical tilt of your projector (up to $-20^{\circ}/+20^{\circ}$), loosen the tilt locking mechanism (refer to Figure 2 for location). Carefully adjust the projector to the desired angle, then firmly tighten the locking mechanism to secure its position.

6.2. Swivel Adjustment

The mount allows for horizontal swivel adjustment (up to $-20^{\circ}/+20^{\circ}$). Loosen the swivel locking mechanism, rotate the projector to the left or right as needed, and then re-tighten the mechanism.

6.3. Rotation Adjustment

For full 360° rotation, loosen the rotation locking mechanism. Rotate the projector to achieve perfect horizontal alignment or any desired orientation. Once positioned, tighten the locking mechanism securely.

Note: Always support the projector when loosening adjustment mechanisms to prevent sudden movement or dropping.

7. MAINTENANCE

Regular maintenance ensures the longevity and safe operation of your projector mount.

- **Cleaning:** Wipe the mount with a soft, dry cloth. Do not use abrasive cleaners or solvents, as these may damage the finish.
- **Inspection:** Periodically check all screws, bolts, and connections for tightness. Re-tighten any loose fasteners.
- **Weight Check:** Ensure that the weight of your projector has not changed and remains within the specified limits.

8. TROUBLESHOOTING

If you encounter issues with your LogiLink BP0056 Projector Mount, refer to the following common problems and solutions.

Problem	Possible Cause	Solution
Projector sags or does not hold position after adjustment.	Adjustment locking mechanisms are not tightened sufficiently. Projector exceeds weight capacity.	Ensure all tilt, swivel, and rotation locking mechanisms are firmly tightened. Verify projector weight is within 25 kg limit.
Mount feels unstable after installation.	Mounting screws are loose. Incorrect anchors used for ceiling type.	Check and re-tighten all ceiling mounting screws. Ensure appropriate anchors were used for your ceiling material. Consult a professional if unsure.
Projector cannot be attached to the mount arms.	Projector mounting holes are outside the mount's adjustable range.	Confirm your projector's mounting hole pattern (diameter 80-500 mm) is compatible with the BP0056 mount.

9. WARRANTY AND SUPPORT

LogiLink products are designed for reliability and performance. For specific warranty information, please refer to the warranty card included with your product or visit the official LogiLink website. Keep your purchase receipt as proof of purchase.

For technical support, replacement parts, or further assistance, please contact your retailer or visit the LogiLink support page:

[LogiLink Support Website](#)