

[Manuals.plus](#) /

> [AVLT](#) /

> AVLT Dual 13"-27" Stacked Monitor Arm Desk Mount Instruction Manual

AVLT AVLT-DM07-1

AVLT Dual 13"-27" Stacked Monitor Arm Desk Mount

Model: AVLT-DM07-1 | Brand: AVLT

INTRODUCTION

This instruction manual provides comprehensive guidance for the installation, operation, and maintenance of your AVLT Dual 13"-27" Stacked Monitor Arm Desk Mount. Designed for ergonomic efficiency and space-saving, this mount supports two flat or curved monitors, offering full motion adjustability for an optimized viewing experience.

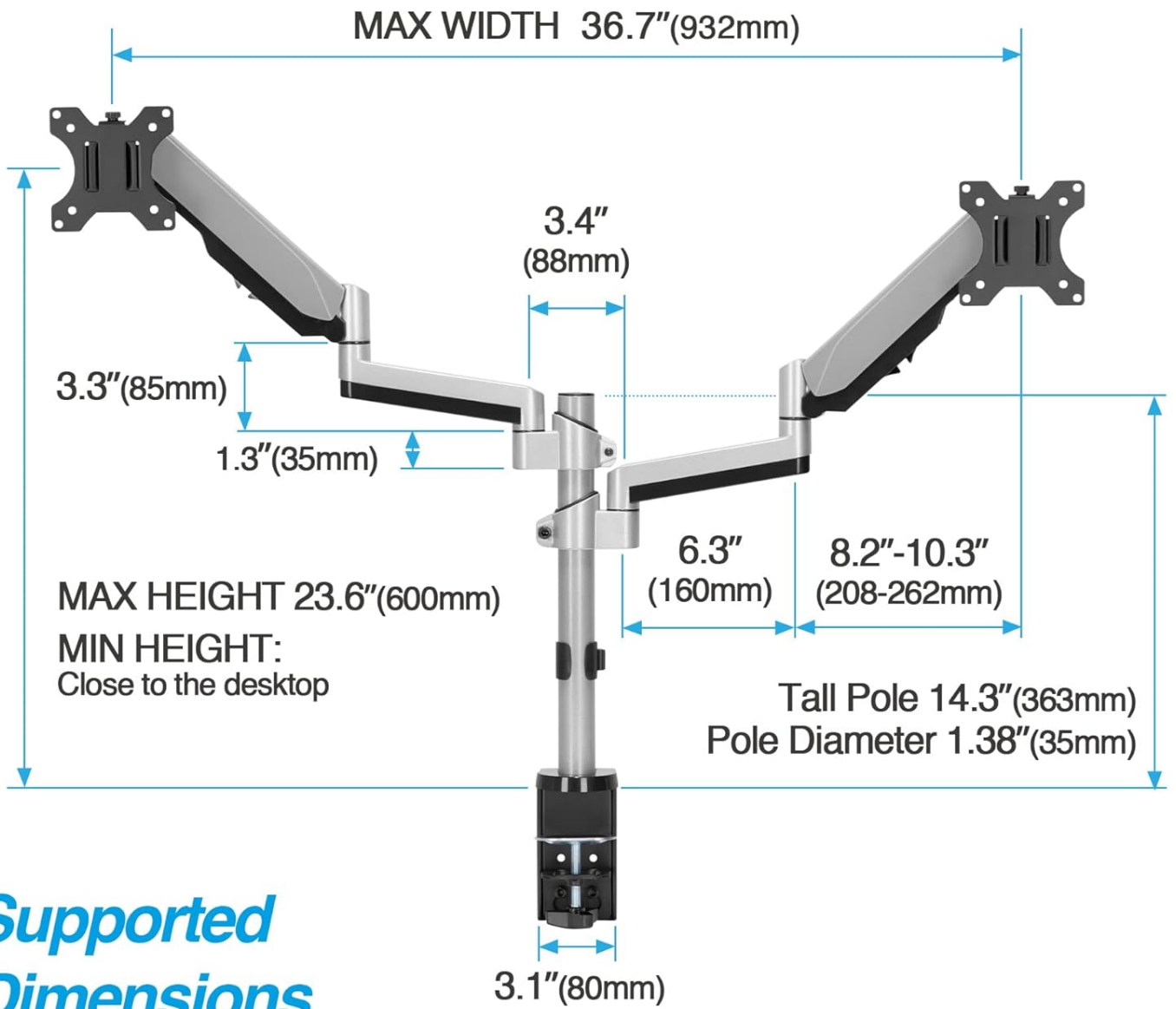




Image: The AVLT Dual Stacked Monitor Arm Desk Mount, shown with two monitors mounted vertically, demonstrating its compact and ergonomic design.

PRODUCT FEATURES

- **Universal Compatibility:** Fits most flat/curved/ultrawide computer monitors from 13" to 27" with VESA 75x75mm or 100x100mm mounting holes. Each arm supports up to 19.8 lbs (9 kg).
- **Space-Saving Design:** The heavy-duty metal base occupies minimal desk space (3.7" x 3.1"). Offers both C-clamp and grommet mounting options, supporting desk thicknesses up to 3.1" (80mm).
- **Ergonomic Adjustability:** Features a gas spring system for smooth height adjustment up to 23.6" (600mm). Allows for arm extension, vertical tilt (+35° to -35°), horizontal swivel (+90° to -90°), and landscape or portrait rotation (360°).
- **Flexible Configurations:** Two individual arms on the pole enable both top-and-bottom (stacked) and side-by-side monitor arrangements.
- **Integrated Cable Management:** Helps organize and conceal cables for a clean and clutter-free workspace.



Supported Dimensions

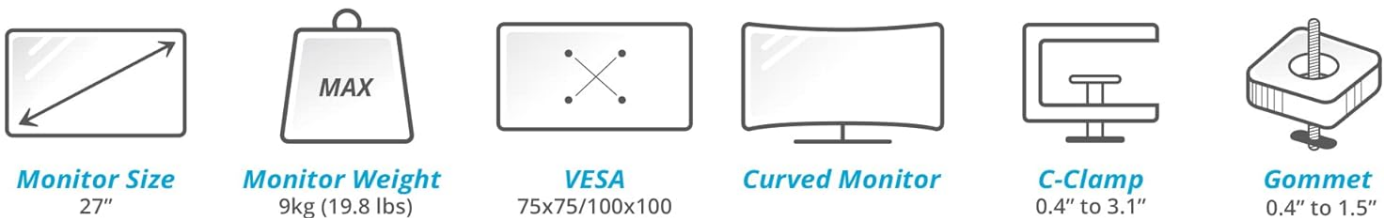


Image: Detailed diagram illustrating the maximum width, height, VESA compatibility, monitor weight capacity, and C-clamp/grommet dimensions of the AVLT monitor mount.

SETUP INSTRUCTIONS

Carefully follow these steps to assemble and install your monitor arm desk mount.

1. Unpacking and Component Check

- Unpack all components and verify against the packing list.
- Ensure all parts are present and undamaged before proceeding with assembly.

2. Choose Your Mounting Option

The AVLT-DM07-1 offers two primary mounting methods: C-clamp and Grommet mount.

2.1 C-Clamp Installation

1. Attach the C-clamp base to the bottom of the main pole.

2. Position the C-clamp on the edge of your desk.
3. Tighten the clamp screw until the mount is securely fastened to the desk. Ensure the desk thickness is between 0.4" and 3.1" (10-80mm).

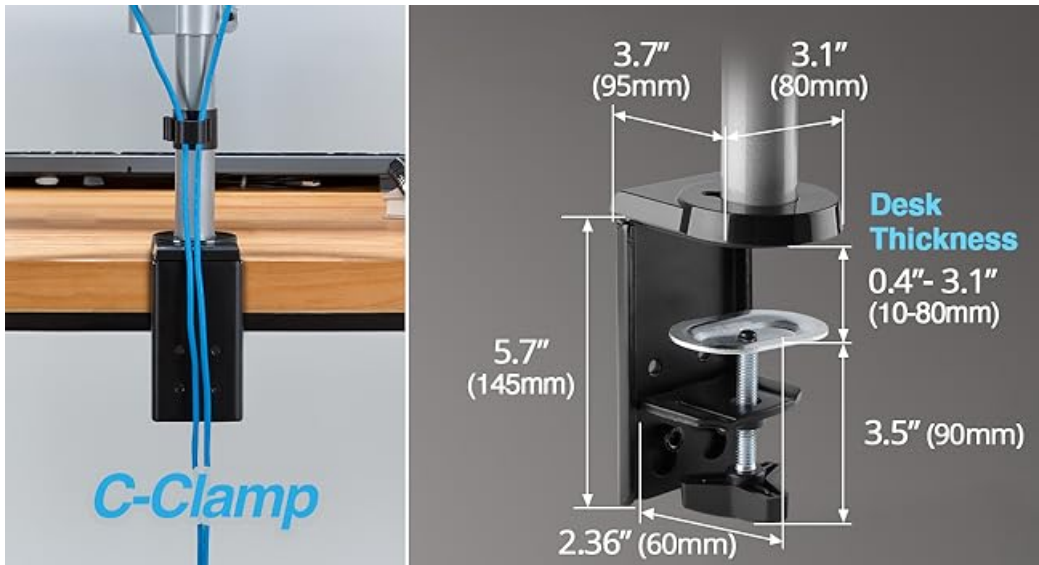


Image: A detailed view of the C-clamp mechanism, showing how it secures the monitor mount to the edge of a desk.

2.2 Grommet Mount Installation

1. If your desk has a grommet hole (0.4" - 2.3" / 10-60mm diameter), disassemble the C-clamp and use the grommet plate.
2. Insert the main pole through the grommet hole.
3. Secure the mount from underneath the desk using the provided grommet hardware.

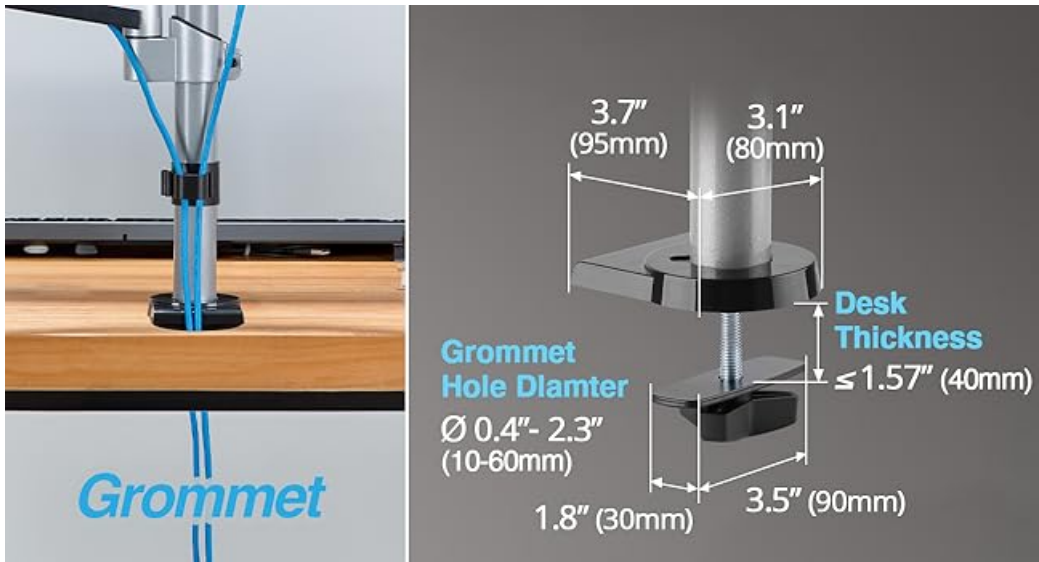


Image: A detailed view of the grommet mount, showing how the pole passes through a desk hole and is secured from below.

3. Attaching Monitor Arms

1. Slide the monitor arms onto the main pole at your desired heights. The arms can be positioned for stacked or side-by-side configurations.
2. Tighten the arm collars to secure them in place on the pole.



Image: Rear view of the monitor mount with two monitors, highlighting the VESA attachment points and initial cable routing.

4. Attaching Monitors to VESA Plates

1. Attach the VESA plate to the back of your monitor using the screws provided. Ensure the VESA pattern (75x75mm or 100x100mm) matches your monitor.
2. Slide the monitor with the attached VESA plate onto the arm's VESA head. Secure it with the locking screw.



Image: A close-up view of the VESA mounting plate, ready to be attached to the back of a monitor.

Installation Overview Video

Your browser does not support the video tag.

Video: An official AVLTVideo demonstrating the assembly and key features of the Dual 27" Monitor Desk Mount, including VESA attachment, gas spring system, and various adjustments.

OPERATING INSTRUCTIONS

Your AVLTVideo monitor mount provides extensive flexibility for optimal viewing.

1. Adjusting Monitor Position

1.1 Height Adjustment

- The gas spring system allows for smooth vertical height adjustment. Gently push or pull the monitor to the desired height.
- The maximum height adjustment range is 23.6" (600mm).

1.2 Tilt Adjustment

- Tilt your monitor up or down to reduce glare and optimize viewing angles. The tilt range is +35° to -35°.
- If the monitor does not hold its tilt position, tighten the tilt bolt on the VESA head using the provided Allen key.

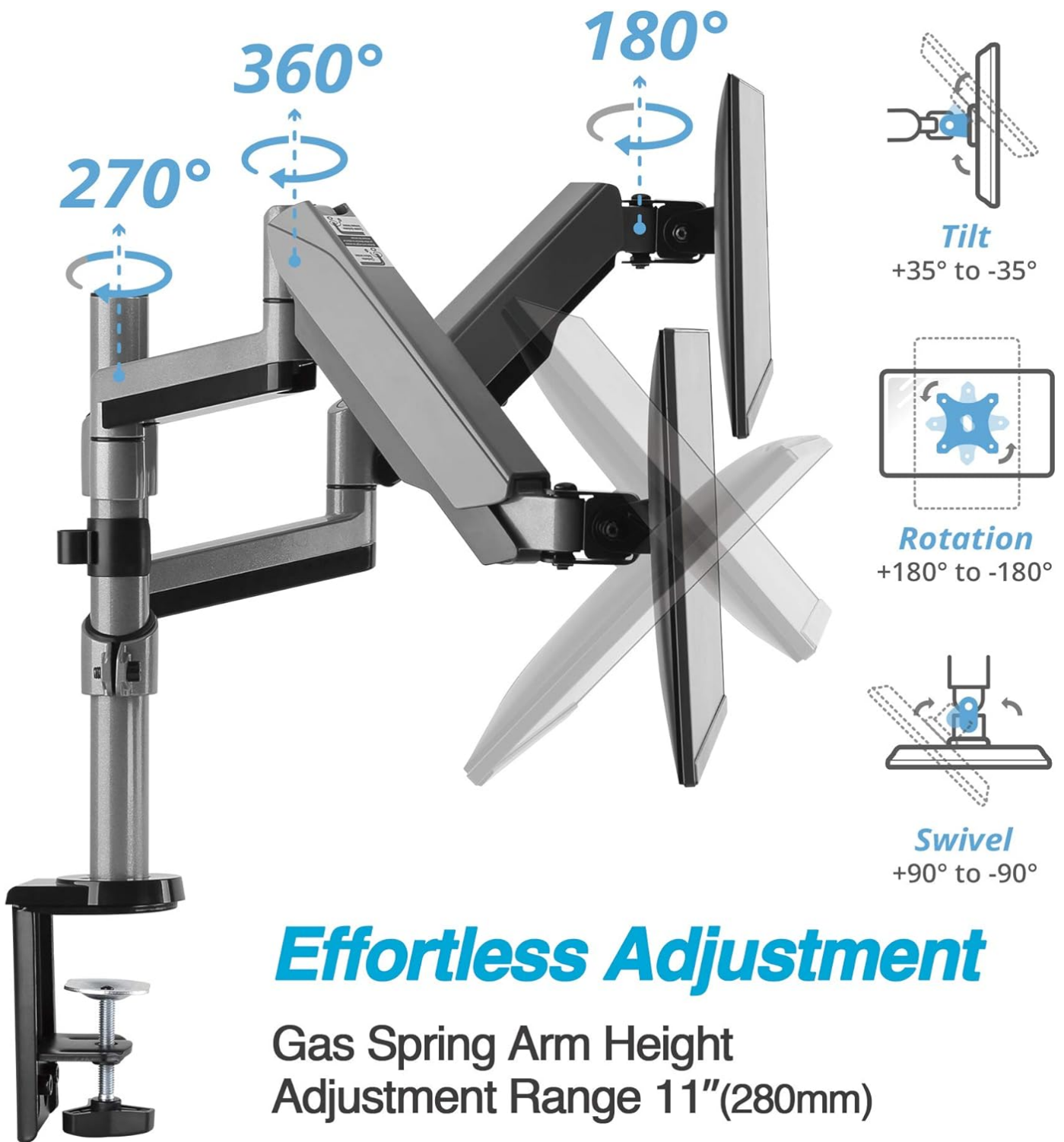


Image: Visual guide demonstrating the 360° rotation, $\pm 35^\circ$ tilt, and $\pm 90^\circ$ swivel capabilities of the monitor arms for effortless adjustment.

1.3 Swivel Adjustment

- Swivel your monitor left or right for collaborative work or to adjust your viewing angle. The swivel range is $+90^\circ$ to -90° .

1.4 Rotation (Portrait/Landscape)

- Rotate your monitor 360° to switch between landscape and portrait orientations.
- For stacked configurations, rotating the top monitor 180° can provide more stacking space if screens overlap. Remember to adjust your display settings in your operating system accordingly.



Full Motion Adjustment

Image: Various monitor configurations demonstrating the full motion adjustment capabilities, including stacked, side-by-side, and individual monitor positioning.

2. Gas Spring Tension Adjustment

The gas spring tension may need adjustment based on your monitor's weight to ensure it holds its position.

- Use the provided Allen key to adjust the tension screw located on the arm.
- Turn clockwise to increase tension (for heavier monitors) or counter-clockwise to decrease tension (for lighter monitors).
- Adjust gradually until the monitor stays at the desired height without drifting up or down.



Image: A close-up showing the location of the gas spring tension adjustment screw on the monitor arm, used to fine-tune the arm's holding strength.

CABLE MANAGEMENT

Maintain a tidy workspace by utilizing the integrated cable management features.

- Route your monitor cables (power, HDMI, DisplayPort, etc.) along the underside of the monitor arms.
- Use the provided cable clips or channels to secure the cables neatly.

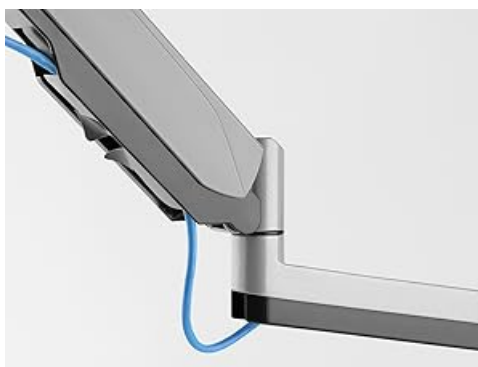


Image: A close-up view of a cable management clip integrated into the monitor arm, designed to keep cables organized and out of sight.

SPECIFICATIONS

Feature	Detail
Model Number	AVLT-DM07-1
Screen Size Compatibility	13" - 27" (Flat/Curved Monitors)
Weight Capacity (per arm)	Up to 19.8 lbs (9 kg)
VESA Compatibility	75x75mm, 100x100mm
Height Adjustment	Gas Spring, up to 23.6" (600mm)
Tilt Range	+35° to -35°
Swivel Range	+90° to -90°
Rotation	360° (Portrait/Landscape)
Desk Thickness (C-clamp)	0.4" - 3.1" (10-80mm)
Grommet Hole Diameter	0.4" - 2.3" (10-60mm)
Material	Aluminum
Product Dimensions	16.73 x 10.04 x 4.13 inches
Item Weight	11.75 pounds

MAINTENANCE

Regular maintenance ensures the longevity and optimal performance of your monitor mount.

- **Cleaning:** Wipe down the mount with a soft, damp cloth. Avoid abrasive cleaners or solvents that could damage the finish.
- **Tightening:** Periodically check all screws and bolts, especially those securing the mount to the desk and the monitors to the VESA plates. Tighten if necessary to prevent wobbling or sagging.
- **Gas Spring Check:** If the gas spring tension feels off, re-adjust it according to the "Operating Instructions" section.

TROUBLESHOOTING

Here are solutions to common issues you might encounter.

Issue: Monitor sags or does not stay at desired height.

- **Solution:** The gas spring tension needs adjustment. Use the provided Allen key to turn the tension screw clockwise to increase tension. Refer to the "Gas Spring Tension Adjustment" in the Operating Instructions.

Issue: Monitor tilts forward or backward too easily.

- **Solution:** Tighten the tilt bolt on the VESA head. This bolt controls the friction for the tilt mechanism.

Issue: Mount is unstable or wobbles on the desk.

- **Solution:** Ensure the C-clamp or grommet mount is securely tightened to the desk. Check if your desk surface is thick enough and sturdy enough to support the mount and monitors.

Issue: Cables are not neatly organized.

- **Solution:** Utilize the integrated cable management clips/channels on the arms and pole to route and secure cables.

WARRANTY & SUPPORT

Your AVLT Dual 13"-27" Stacked Monitor Arm Desk Mount (Model: AVLT-DM07-1) is backed by AVLT's commitment to quality and customer satisfaction.

- **Manufacturer Warranty:** This product is covered by a 3-YEAR MANUFACTURER WARRANTY from the date of purchase.
- **Lifetime Technical Support:** AVLT provides LIFETIME TECH SUPPORT for this product. Should you have any questions, concerns, or require assistance with installation or operation, please contact AVLT customer service.
- **Contact Information:** For support, please refer to the contact details provided on the AVLT official website or your purchase documentation. AVLT aims to respond to inquiries within 24 hours.