

[Manuals.plus](#) /

> [Bestway](#) /

> Bestway Flowclear 52-inch (1.32m) Safety Pool Ladder User Manual

## Bestway 1058332XXX21

# Bestway Flowclear 52-inch (1.32m) Safety Pool Ladder User Manual

Model: 1058332XXX21

## 1. INTRODUCTION

---

Thank you for choosing the Bestway Flowclear Safety Pool Ladder. This manual provides essential information for the safe assembly, operation, and maintenance of your pool ladder. Designed for above-ground pools up to 1.32 meters (52 inches) in height, this ladder features a corrosion-resistant metal frame and durable plastic steps, ensuring a secure and stable entry and exit from your pool. A key safety feature allows the outer ladder section to be secured in an upright position, preventing unsupervised access to the pool by children.

## 2. SAFETY INFORMATION

---

Your safety is paramount. Please read and understand all instructions before assembly and use. Failure to follow these instructions can result in serious injury or death.

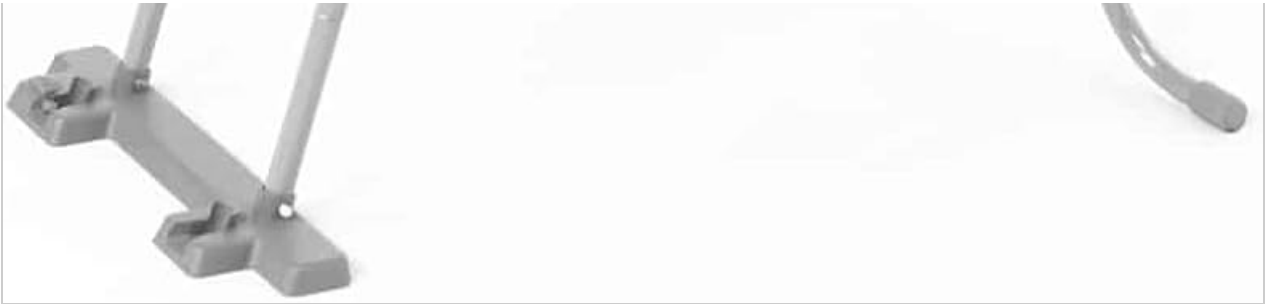
- **Adult Supervision:** Never leave children unattended near the pool.
- **Secure Ladder:** Always secure the outer ladder section in the upright position when the pool is not in use to prevent unauthorized access, especially by children.
- **Weight Limit:** Do not exceed the maximum weight capacity of the ladder (specific weight limit not provided, refer to product packaging if available).
- **One Person at a Time:** Only one person should use the ladder at a time.
- **Stable Surface:** Ensure the ladder is placed on a firm, level surface.
- **Inspection:** Regularly inspect the ladder for damage, loose parts, or corrosion. Do not use if damaged.
- **Anti-slip Steps:** The ladder features anti-slip steps, but exercise caution when wet.

## 3. PACKAGE CONTENTS

---

The package contains one Bestway Flowclear Safety Pool Ladder, including all necessary components for assembly.





**Figure 3.1:** Overview of the ladder components. This image displays the various parts of the Bestway Flowclear Safety Pool Ladder, including the metal frame sections, plastic steps, and connecting hardware, as they might appear before assembly.

## 4. SETUP AND ASSEMBLY

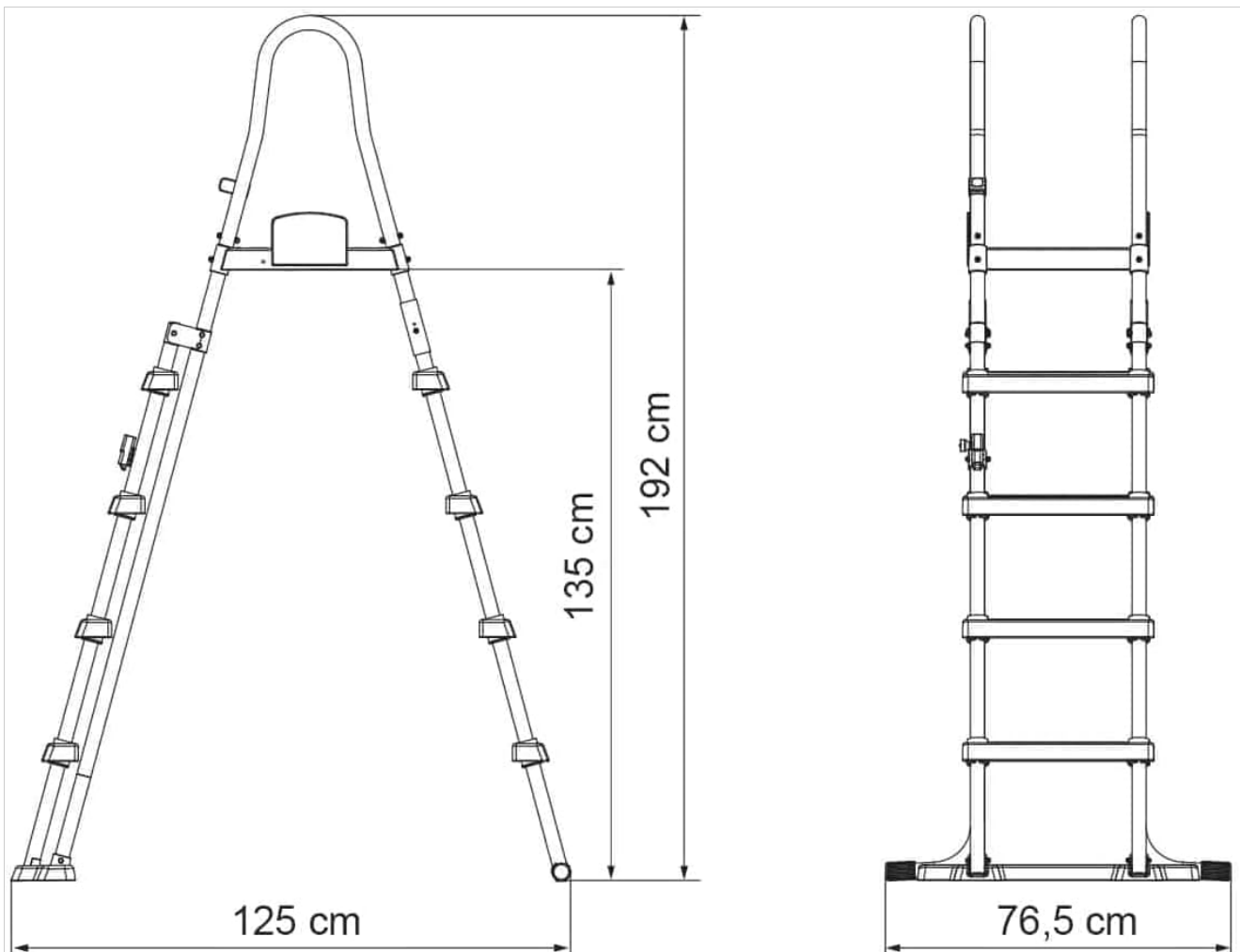
---

The Bestway Flowclear Safety Pool Ladder is designed for easy assembly. Follow these general steps for proper setup:

1. **Unpack Components:** Carefully remove all parts from the packaging and verify against the parts list (if provided in physical manual) to ensure all components are present.
2. **Assemble Frame:** Connect the corrosion-resistant metal frame sections according to the diagrams. Ensure all connections are secure.
3. **Attach Steps:** Securely attach the durable plastic steps to the frame. Pay close attention to the orientation of the steps to ensure they are level and firmly attached.
4. **Install Safety Mechanism:** Assemble the safety locking mechanism for the outer ladder section. This mechanism allows the outer part of the ladder to be lifted and secured.
5. **Final Check:** Before placing the ladder in the pool, ensure all bolts, screws, and connections are tightened and secure.



**Figure 4.1:** Detail of a ladder joint. This image shows a close-up of how the ladder frame sections connect and how the plastic steps are secured, highlighting the robust construction.



**Figure 4.2:** Ladder dimensions. This technical drawing illustrates the overall dimensions of the Bestway Flowclear Safety Pool Ladder, including its height (192 cm total, 135 cm to platform), width (125 cm at base), and step width (76.5 cm).

## 5. OPERATING INSTRUCTIONS

---

Using your Bestway Flowclear Safety Pool Ladder correctly ensures both convenience and safety.

1. **Placement:** Position the ladder firmly against the side of your above-ground pool, ensuring both sides of the ladder are stable on the ground.
2. **Entry/Exit:** Always face the ladder when entering or exiting the pool. Use the handrails for support.
3. **Securing the Ladder:** When the pool is not in use, especially when children are present, lift the outer section of the ladder and secure it in the upright position using the integrated locking mechanism. This prevents unauthorized access to the pool.



**Figure 5.1:** Safety locking mechanism. This image provides a detailed view of the mechanism used to secure the outer ladder section in an upright position, featuring clear lock/unlock indicators.



**Figure 5.2:** Ladder in use. This image shows an individual safely using the Bestway Flowclear Safety Pool Ladder to enter an above-ground pool, demonstrating proper usage and the ladder's integration with the pool structure.

## 6. MAINTENANCE

---

Proper maintenance will extend the life of your pool ladder and ensure continued safe operation.

- **Regular Cleaning:** Clean the ladder regularly with mild soap and water. Avoid abrasive cleaners or harsh chemicals that could damage the materials.
- **Inspection:** Periodically inspect all parts for signs of wear, damage, or corrosion. Pay close attention to joints, steps, and the safety locking mechanism.
- **Corrosion:** While the frame is corrosion-resistant, prolonged exposure to pool chemicals and weather can still cause issues. Rinse the ladder with fresh water periodically, especially if it's exposed to saltwater or heavily chlorinated water.
- **Storage:** During the off-season or when the pool is not in use for extended periods, disassemble the ladder (if desired) and store it in a dry, protected area away from direct sunlight and extreme temperatures.
- **Tighten Fasteners:** Check and tighten all bolts and fasteners periodically to ensure the ladder remains stable.

## 7. TROUBLESHOOTING

---

If you encounter issues with your Bestway Flowclear Safety Pool Ladder, consider the following:

- **Ladder Instability:** Ensure the ladder is placed on a completely flat and firm surface. Check that all assembly bolts are securely tightened. Verify that the ladder is compatible with your pool's wall height (up to 1.32m).
- **Difficulty Securing Outer Section:** Inspect the safety locking mechanism for any obstructions or damage. Ensure it is properly aligned and lubricated if necessary.
- **Signs of Corrosion:** Although designed with a corrosion-resistant frame, rust can occur under certain conditions, especially with improper maintenance or prolonged exposure to harsh chemicals. Clean affected areas and consider applying a rust-inhibiting coating if appropriate for the material. Ensure regular rinsing with fresh water.
- **Damaged Steps or Frame:** Do not use the ladder if any part is cracked, bent, or broken. Contact Bestway customer support for replacement parts or further assistance.

## 8. SPECIFICATIONS

---

Feature	Specification
Brand	Bestway
Model Number	1058332XXX21
Material	Metal, Plastic
Color	Multicoloured (typically grey)
Special Feature	Anti-slip, Safety Lock (outer section secures upright)
Product Weight	13130 Grams (approx. 13.13 kg / 28.9 lbs)
Maximum Pool Wall Height Compatibility	132 Centimeters (52 inches)
Overall Ladder Height (approx.)	192 Centimeters (75.6 inches)

## 9. WARRANTY AND SUPPORT

---

For warranty information, replacement parts, or technical support, please contact Bestway customer service directly. Refer to the product packaging or the Bestway official website for the most current contact details and warranty policies applicable to your region.