

Manuals+

[Q & A](#) | [Deep Search](#) | [Upload](#)

manuals.plus /

› [TOPENS](#) /

› [TOPENS PW802 Automatic Gate Opener for Heavy Duty Dual Swing Gates Up to 18ft per Arm, Dual Swing Gate Operator AC Powered with Remote Control Kit Gate Motor Solar Compatible Dual Swing Gate Opener Heavy Duty](#)

TOPENS PW802

TOPENS PW802 Automatic Gate Opener User Manual

MODEL: PW802 | BRAND: TOPENS

1. Introduction

The TOPENS PW802 Automatic Gate Opener is designed for heavy-duty dual swing gates, providing a reliable and convenient solution for property access. This manual provides comprehensive instructions for the safe installation, operation, and maintenance of your gate opener.

Key Features:

- **Strong Gate Opener:** Operates heavy-duty dual swing gates up to 880lbs or 18ft per gate leaf with two stable 24VDC 80W motors.
- **Wide Usage:** Compatible with various dual swing gate types, supporting both Pull-to-Open and Push-to-Open installations for residential, courtyard, ranch, and farm use.
- **Multiple Guard:** Features advanced TOPENS code technology for security, electromagnetism limit switch, stop-and-reverse function for obstacle detection, auto-close, soft start/stop, and a manual release key.
- **Personalized Design:** Can be powered by 100-240VAC electricity directly, with optional 24V 12Ah automotive/marine type battery and 20W solar panel compatibility (accessories not included).

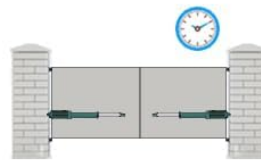
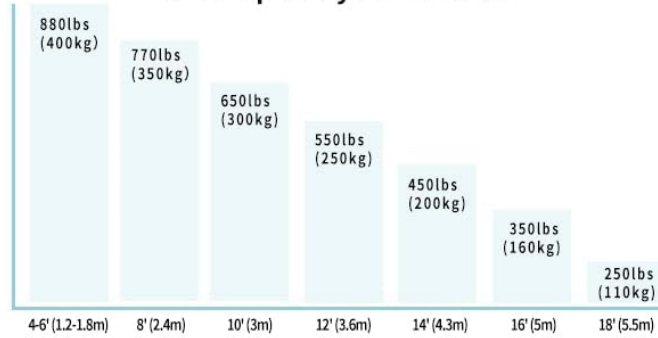
Why choose TOPENS ?

OVER 25 YEARS of experience specialized in gate automation industry, **TOPENS** has become one of the well-known and trusted consumer brands in North America.

Advanced technology to deliver safe, smart and reliable products, providing the **HIGH-QUALITY** gate openers & accessories with **LONG-LASTING** performance.

LIFE-TIME tech support. You will have an **EXCLUSIVE** customer support representative to assist you with all of your questions.

Gate Capability for Each Arm



Self-closing Setting



Soft Start & Soft Stop



Obstacle Adjusting



TOPENS Advanced Security Code



Gate Swing In
Pull-to-open Installation Mode



Gate Swing Out
Push-to-open Installation Mode

Key features of the TOPENS gate opener system.

Compatible Accessories

Available at TOPENS Online Store



TC196 Tuya WiFi Remote Control



TC188 Universal Keypad



TC175P Wired Keypad



TKP3 Wireless Keypad



TEW3 Vehicle Sensor Exit Wand



HLR01 Homelink Remote Control Kit



TSP30W 24V 30W Solar Panel Charging Kit



UPS01 Uninterrupted Power Supply



ET24 Electric Gate Lock



TRF3 Reflection Photocell Sensor



TC102 Photo Eye Beam Sensor



JD24VY Warning Light



M12 Remote Control Transmitter



ERM12 Universal External Receiver



TC148 Waterproof Wall Push Button



TC173 Wireless Push Button

Gate capability chart for the PW802 model.

2. Safety Information

Always prioritize safety during installation and operation. Read all instructions carefully before beginning. Ensure the gate area is clear of obstructions and people before operating. Disconnect power before performing any maintenance or adjustments. Keep remote controls out of reach of children.

3. Package Contents

The TOPENS PW802 Automatic Gate Opener kit includes the following components:

- 2 x Gate Opener Actuator (Arm), with a 5 feet 5-Conductor Cable per Arm
- 1 x DPS180-U AC-DC Power Supply, with a 3.3 feet Cord
- 1 x Waterproof Control Box
- 2 x M12 Remote Control Transmitter
- 1 x Full Set of Required Installation Hardware



Complete package contents of the TOPENS PW802 gate opener.

4. Setup

Follow these steps for the proper installation of your TOPENS PW802 Automatic Gate Opener. For a visual guide, refer to the official installation video below.

Official TOPENS installation video for PW502/PW802 Dual Gate Opener. This video covers all mechanical and electrical setup procedures.

4.1. Mechanical Installation (Refer to video: 00:40 - 03:06)

This section guides you through assembling the post and pivot brackets, attaching them to the gate arms, and performing initial clutch release tests. Proper positioning of the arms on the gate is critical for optimal performance.

4.2. Connect the Arm to the Control Board (Refer to video: 03:06 - 03:42)

Learn how to connect the extension 5-cord cable to the slave arm and then connect both the slave and master arm cables to the control board. Ensure all connections are secure and correctly wired according to the diagram in your manual.

4.3. Connection of the Power Supply (Refer to video: 03:42 - 05:17)

The TOPENS PW802 can be powered by AC electricity directly using the included DPS180-U power supply. For backup or off-grid operation, you can connect optional 24V 12Ah automotive/marine type batteries and a 20W solar panel (not included). Note that the DPS180-U cannot be connected to the battery or solar panel directly; an optional UPS01 adapter is required for charging and solar regulation.

Support All the Power Modes

— Flexible & Durable Ways for Your Selection



AC Electricity

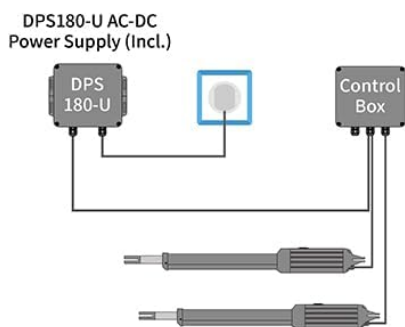


Battery

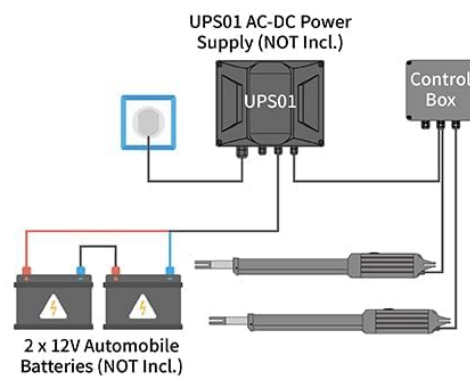


Solar Panels

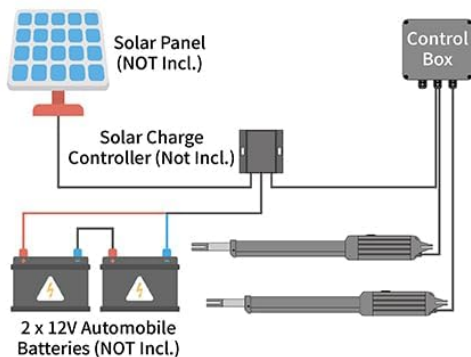
Power Mode 1 Use AC Electricity Only



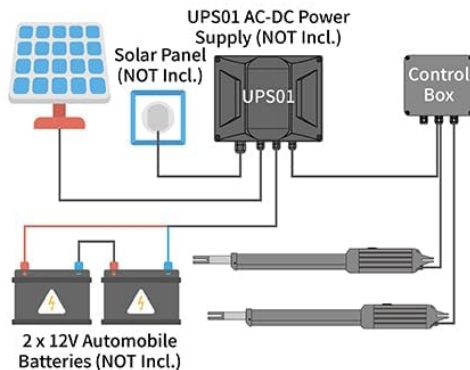
Power Mode 2 By AC Electricity and Back-up Batteries



Power Mode 3 By Solar Panels and Batteries



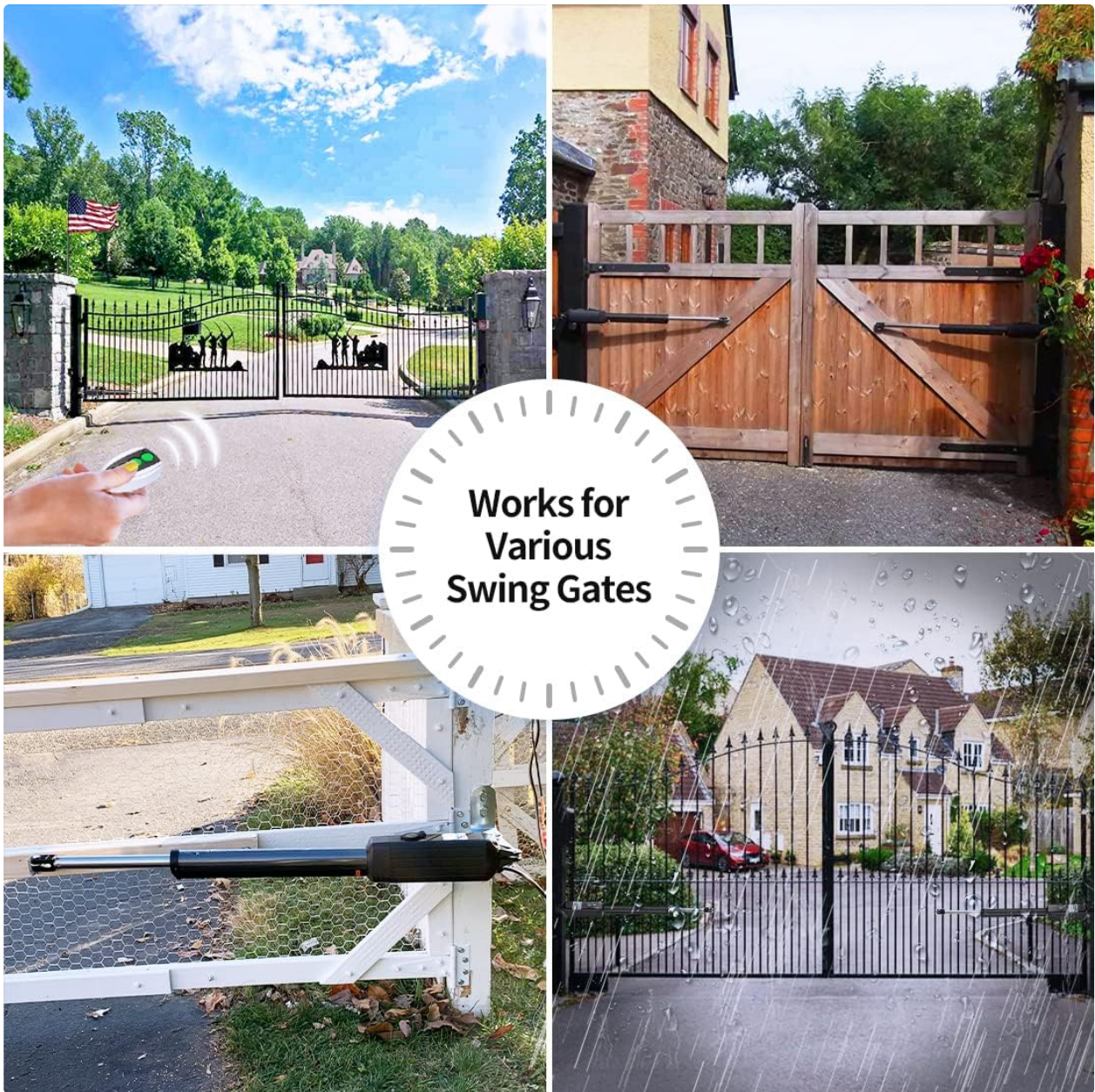
Power Mode 4 By AC Electricity, Solar Panels and Back-up Batteries



Different power supply configurations for the gate opener.

4.4. Program the Remote Control (Refer to video: 05:17 - 05:39)

To program your remote controls, press the CODE SW button on the control board until the CODE LED flashes. Then, press the desired button on your remote twice within 4 seconds, holding it for a moment between presses. The CODE LED will flash, indicating successful programming.



M12 Remote Control Transmitter.

4.5. Adjust the Limit Switch (Refer to video: 05:39 - 06:41)

Adjusting the limit switch correctly is essential for defining the gate's fully open and closed positions. This ensures smooth operation and prevents the gate from over-extending or not closing completely. Follow the video instructions to fine-tune these settings.

4.6. Setting of the Control Board (Refer to video: 06:41 - End)

The control board allows for various adjustments, including auto-close time, soft stop/start, and force settings. Refer to the detailed instructions in your user manual and the video to adjust the potentiometers and DIP switches according to your specific needs and gate type.



PW302



PW502



PW802

Performance	Light Duty	Medium Duty	Heavy Duty
Gate Capabilities	12ft or 300lbs Each Gate	16ft or 550lbs Each Gate	18ft or 880lbs Each Gate
Motor Voltage & Power	24VDC & 30W	24VDC & 50W	24VDC & 80W
Default Power Supply Mode	100-240VAC Electricity	100-240VAC Electricity	100-240VAC Electricity
Battery as Power Source	Alternative	Alternative	Alternative
Solar Compatible	√	√	√
# of Remote Controls Included	2	2	2
Compatible Accessories	All the TOPENS Accessories	All the TOPENS Accessories	All the TOPENS Accessories
Arm Dimension	33.7 x 3.3 x 4.1" (855 x 84 x 104 mm)	33.7 x 3.3 x 4.1" (855 x 84 x 104 mm)	33.7 x 3.3 x 4.1" (855 x 84 x 104 mm)

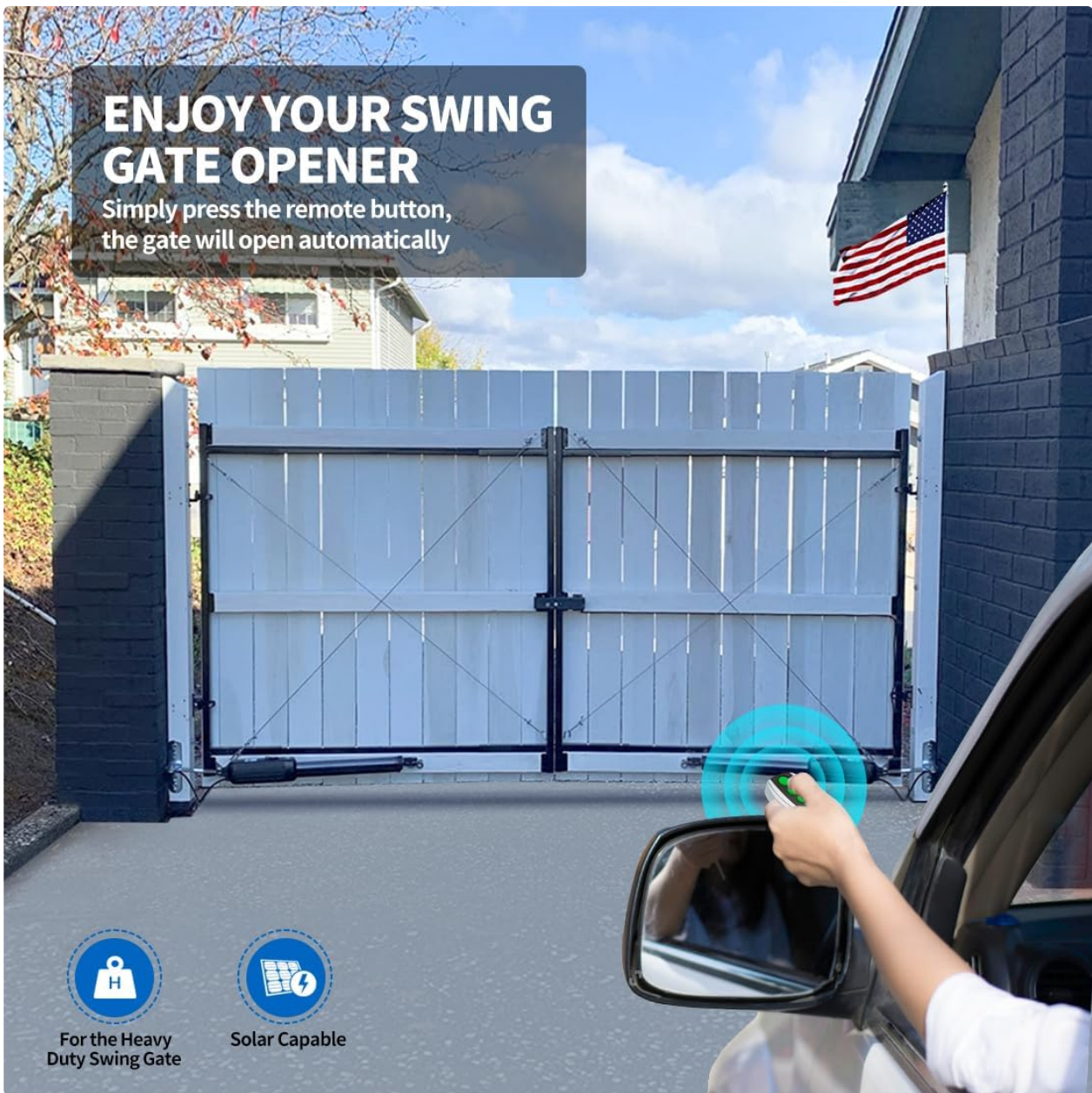
TOPENS gate opener control board for system configuration.

5. Operating Instructions

5.1. Basic Operation

Once installed and configured, your TOPENS PW802 gate opener can be operated using the provided remote controls or optional accessories.

- **Remote Control:** Press the programmed button on your M12 remote control to open or close the gate. A single press will initiate the cycle.
- **Wired Push Button (Optional):** If a TC147 Wired Push Button is installed, a simple press will activate the gate.
- **Wireless Keypad (Optional):** Use the TKP3 Wireless Keypad to enter your programmed password and operate the gate.
- **Smartphone Control (Optional):** With the TC186-R WiFi Smartphone Remote Control (with camera), you can operate and monitor your gate remotely via the Linkcraft APP.



Operating the gate opener with a remote control.

6. Maintenance

Regular maintenance ensures the longevity and optimal performance of your gate opener. Perform the following checks periodically:

- **Cleanliness:** Keep the gate arms and control box free from dirt, debris, and insects.
- **Lubrication:** Periodically lubricate moving parts of the gate and opener arms as recommended in the detailed manual.
- **Cable Inspection:** Check all electrical cables for any signs of wear, damage, or loose connections.
- **Limit Switch Check:** Verify that the limit switches are still accurately setting the open and closed positions.
- **Obstacle Detection:** Regularly test the obstacle detection feature to ensure it functions correctly.

7. Troubleshooting

If you encounter issues with your TOPENS PW802 gate opener, refer to the following common troubleshooting tips. For more detailed solutions, consult the full user manual or contact customer support.

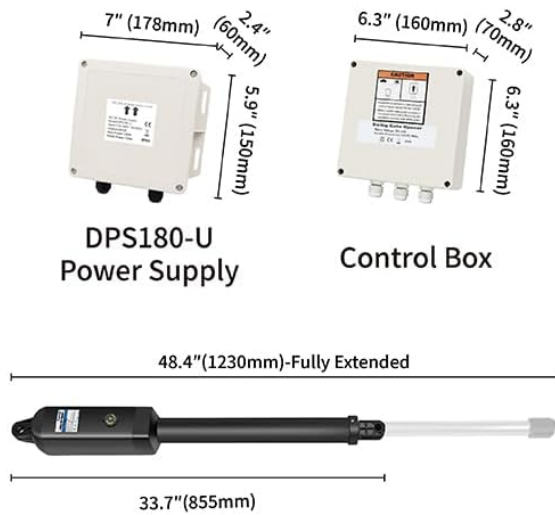
- **Gate Not Responding:** Check power supply, remote battery, and ensure no obstructions are blocking the gate path.
- **Gate Stops Mid-Cycle:** This may indicate an obstruction or an issue with the force setting. Clear the path and check the control board settings.
- **Gate Does Not Close Fully:** Re-adjust the limit switch for the closed position.
- **Unusual Noises:** Inspect for loose components, debris in the mechanism, or issues with lubrication.

8. Specifications

Detailed technical specifications for the TOPENS PW802 Automatic Gate Opener:

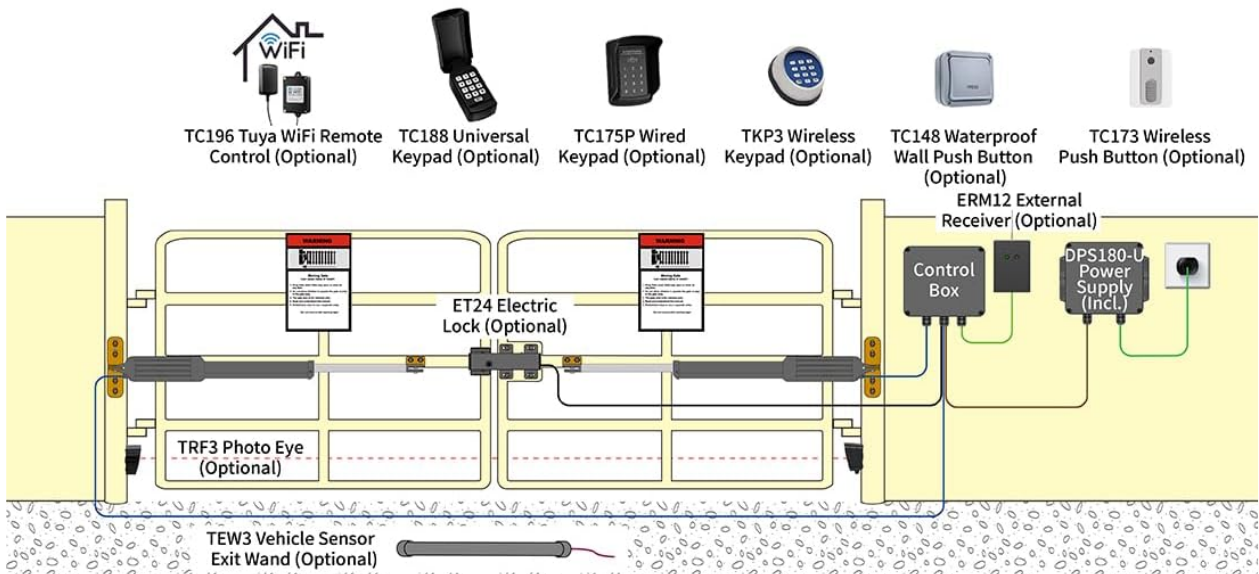
Attribute	Value
Manufacturer	TOPENS
Part Number	PW802
Item Weight	42 pounds
Product Dimensions	33.66 x 3.31 x 4.09 inches
Country of Origin	China
Item model number	PW802
Batteries (included)	6 CR2 batteries required. (included)
Size	Dual Swing Gate Opener Heavy Duty
Color	Black
Style	PW802 Heavy-Duty Dual Gate AC Powered
Power Source	AC or Battery, Solar Capable
Voltage	24 Volts
Wattage	80 watts
Horsepower	0.11 hp
Amperage Capacity	3 Amps
Maximum Power	80 Watts
Item Package Quantity	1
Maximum Weight Capacity	880 Pounds
Sound Level	50 dB
Special Features	Easy to Install
Battery Cell Type	Lithium Metal

Dimensions



Customer Support

Visit TOPENS website for the user manual & installation video. Enjoy our customized tech support service. Your exclusive customer support specialist will help you get professional & timely solution.



Dimensions of key components.

9. Warranty and Support

All TOPENS products come with a 12-month warranty against defects, a 30-day exchange & return policy, and excellent technical support. TOPENS is ready to offer professional solutions for any questions or assistance. For further assistance, visit the TOPENS website or contact customer service. Kindly include your Product Model, Purchasing Date & Site, Order #, and your contact information for prompt support.