

[Manuals.plus](#) /

> [NEEWER](#) /

> NEEWER C Stand with Boom Arm & Sliding Legs Instruction Manual (Model ST-C-CB)

## NEEWER ST-C-CB

# NEEWER C Stand with Boom Arm & Sliding Legs

Model: ST-C-CB

[Overview](#)

[Setup](#)

[Operation](#)

[Maintenance](#)

[Troubleshooting](#)

[Specifications](#)

[Warranty & Support](#)

## 1. PRODUCT OVERVIEW

---

The NEEWER C Stand with Boom Arm & Sliding Legs (Model ST-C-CB) is a professional-grade support system designed for various photographic equipment. Constructed from 100% stainless steel, it offers durability and stability for studio and outdoor use. This stand is ideal for supporting softboxes, umbrellas, strobe/flash lights, reflectors, and other accessories.

The package includes one C-Stand, one holding arm, and two grip heads, providing a versatile solution for lighting and grip needs.

# UPGRADED LIGHT STAND

Can adapt to more complex environment.



Image 1.1: The NEEWER C Stand with Boom Arm and Sliding Legs, showcasing its robust design.

## 2. SETUP INSTRUCTIONS

---

Follow these steps to assemble your NEEWER C Stand:

1. **Unpack Components:** Carefully remove all parts from the packaging. Verify that you have one C-Stand base, one center column, one boom arm, and two grip heads.
2. **Attach Center Column to Base:** Insert the bottom of the center column into the C-Stand base. Ensure it is seated correctly.
3. **Secure Legs:** Rotate the stand legs to their proper, fully extended position. Tighten the screws or locking knobs to secure the legs firmly in place.
4. **Attach Grip Heads:** Slide the grip heads onto the center column and the boom arm. Position them as needed for your equipment. Tighten the grip head knobs to secure them.
5. **Insert Boom Arm:** Insert the boom arm into one of the grip heads. Adjust its length and angle, then tighten the

grip head knob to lock it.

## USAGE INSTRUCTIONS



**01** Rotate the stand legs to the proper position.



**02** Tighten the screws to secure the legs in place.

Image 2.1: Visual guide for rotating the stand legs and tightening the screws during assembly.

For a visual guide on assembly and usage, please refer to the official product video below:

Your browser does not support the video tag.

Video 2.1: Official NEEWER video demonstrating the setup and features of the C-Stand with sliding legs.

### 3. OPERATING INSTRUCTIONS

---

#### 3.1 Height Adjustment

The C-stand's height can be adjusted from a minimum of 58.6 inches (149 cm) to a maximum of 121.6 inches (309 cm). To adjust the height, loosen the locking knobs on the center column, extend or retract the sections to the desired height, and then firmly tighten the knobs to secure the column.

# HEIGHT ADJUSTABLE

The C stand can be adjusted from  
**58.6" / 149cm to 121.6" / 309cm.**



Image 3.1: Illustration of the C Stand's minimum and maximum height adjustments.

## 3.2 Flexible Leg Operation

The uppermost leg of the C-stand is designed to slide up or down independently. This feature allows the stand to adapt to uneven surfaces, such as stairs or sloped ground, ensuring stability in complex shooting environments. Adjust the flexible leg by loosening its dedicated locking mechanism, positioning it for optimal balance, and then tightening the lock.

# FLEXIBLE LEG

The uppermost leg of the C stand can slide up or down to adapt to complex shooting environments.



Stable Structure



Adjustable Height



Universal Adapter



Stainless Steel Construction



Image 3.2: The flexible leg feature of the C Stand, allowing adaptation to uneven terrain.

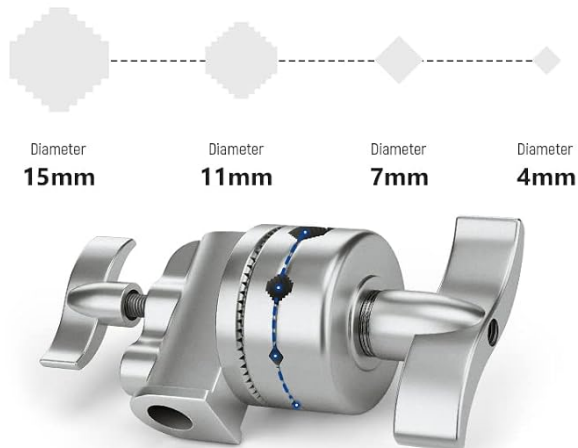
## 3.3 Boom Arm and Grip Heads

The included boom arm has a length of 47 inches (120 cm) and can be positioned horizontally or at an angle using the grip heads. The two grip heads allow for precise adjustment and secure locking of the boom arm and other accessories. They feature multiple bore diameters (15mm, 11mm, 7mm, 4mm) to accommodate various pole sizes.



## STURDY GRIP HEAD

Multiple bore diameters, suitable for different types of long poles.



Features one fixed handle head and one movable handle head.

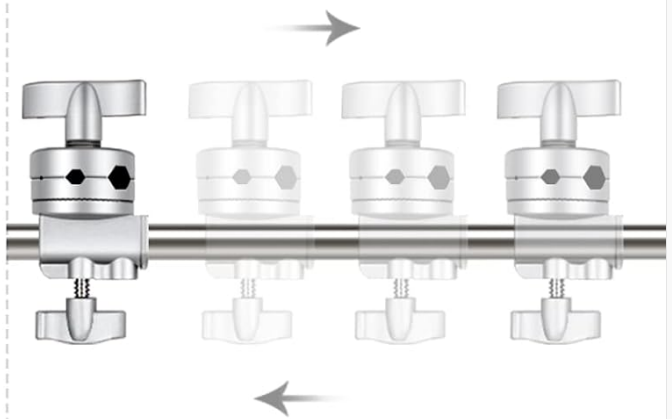


Image 3.3: Detailed view of the sturdy grip head with multiple bore diameters.

### 3.4 Compatibility

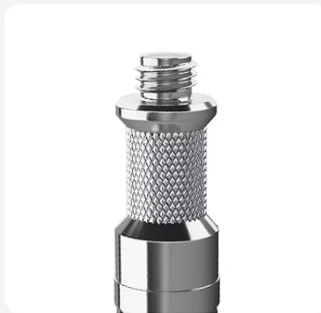
The C Stand is compatible with a wide range of photography equipment, including various softboxes, LED video lights, reflectors, and other accessories that utilize standard 1/4" or 3/8" screws or a center column mount.

# WIDE COMPATIBILITY

Compatible with numerous photography equipment.  
Note: Only the light stand with sliding leg is included.



Center Column



3/8" Screw



1/4" Screw

Image 3.4: Examples of various photography equipment compatible with the C Stand.

## 4. MAINTENANCE

To ensure the longevity and optimal performance of your NEEWER C Stand, follow these maintenance guidelines:

- **Cleaning:** Wipe down the stainless steel surfaces with a soft, damp cloth after each use to remove dust, dirt, and moisture. Avoid abrasive cleaners or solvents that could damage the finish.
- **Lubrication:** Periodically apply a small amount of silicone-based lubricant to the sliding parts and locking mechanisms to ensure smooth operation. Do not over-lubricate.
- **Inspection:** Regularly inspect all screws, knobs, and joints for tightness. Tighten any loose components to prevent accidental collapse or damage to equipment.
- **Storage:** Store the C Stand in a dry environment to prevent corrosion. If storing disassembled, ensure all parts are clean and dry.
- **Corrosion Resistance:** The stand is made of stainless steel, which is corrosion-resistant. However, prolonged exposure to harsh elements or saltwater can still cause issues. Clean thoroughly if exposed to such conditions.

## 5. TROUBLESHOOTING

---

If you encounter any issues with your NEEWER C Stand, consider the following:

- **Stand Instability:** Ensure all legs are fully extended and all locking knobs are securely tightened. Verify that the flexible leg is properly adjusted for the terrain. Always use sandbags or counterweights when extending the boom arm or supporting heavy equipment.
- **Difficulty Adjusting Height/Arm:** Check if locking knobs are fully loosened before attempting to adjust. If parts feel stiff, apply a small amount of lubricant as per maintenance instructions. Ensure no debris is obstructing the sliding mechanisms.
- **Equipment Not Securing:** Confirm that the grip heads are correctly positioned and tightened. Ensure the equipment's mounting pin or screw is compatible with the grip head's bore diameters or the stand's adapters.

For persistent issues or concerns not addressed here, please contact NEEWER customer support.

## 6. SPECIFICATIONS

---

Feature	Detail
Brand	NEEWER
Model Number	ST-C-CB
Material	Stainless Steel
Color	Silver
Minimum Height	58.6 inches / 149 cm
Maximum Height	121.6 inches / 309 cm
Boom Arm Length	47 inches / 120 cm
Item Weight	310.4 Ounces (approx. 8.8 kg)
Item Dimensions (L x W x H)	54.53 x 22.44 x 4.02 inches
Included Components	1 x Upgraded C-Stand, 1 x Holding Arm, 2 x Grip Head
Special Features	Flexible Leg
Required Assembly	Yes

## 7. WARRANTY & SUPPORT

---

### 7.1 Warranty Information

This NEEWER C Stand (Model ST-C-CB) is covered by a **1-Year Manufacturer Warranty**. Please retain your proof of purchase for warranty claims.

## 7.2 Customer Support

For technical assistance, warranty service, or any product-related inquiries, please visit the official NEEWER website or contact their customer support directly. Refer to the product packaging or the NEEWER website for the most current contact information.



---

© 2024 NEEWER. All rights reserved. This manual is for informational purposes only.